

Westbury® 2" IRC Fascia Mount Posts

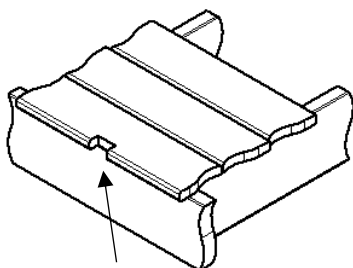


Installation Instructions

- It is the responsibility of the installer to meet all code and safety requirements, and to obtain all required building permits. The installer should determine and implement the installation techniques appropriate for each unique installation situation. Digger Specialties, Inc. and its distributors shall not be held liable for improper or unsafe installations.
- These instructions must be followed exactly as written and the materials used must be exactly as shown in the instructions. Any deviation from the instructions or variation in the materials used/installed may result in an unsuccessful installation and will void the warranty.

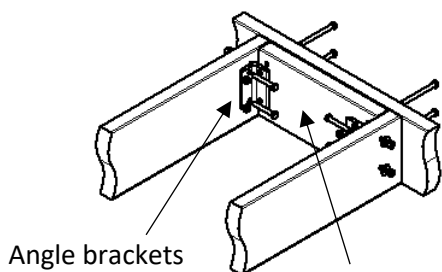
Line Post Installation

1. Determine location of line post.
2. Notch decking as needed for post installation.



Notch decking

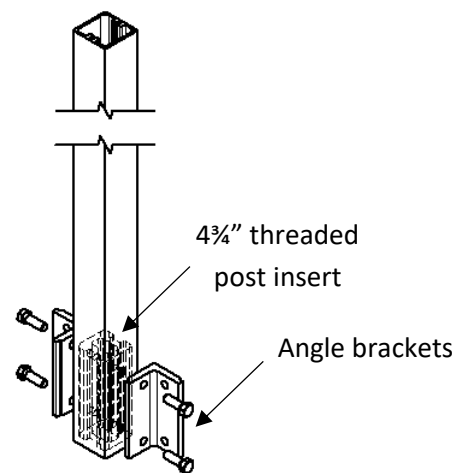
3. Add backer block behind rim joist.
 - a. Use one 2 x 6 backer block and secure in place with #10 x 3" deck screws.
 - b. Take two aluminum angle brackets and place angle brackets behind 2 x 6 backer block and between deck joists. Mark location of holes. Holes will then need to be drilled through backer block, rim joist and decking joists to secure angle brackets. Use eight appropriate length 3/8"-16 bolts with flat washers, and nuts (not provided) to secure backer block between deck joists.



Angle brackets

Add 2 x 6 backer

4. Attach two aluminum angle brackets to line post
 - a. Insert 4 3/4" threaded post inserts into bottom of post.
 - b. Use four 3/8"-16 x 1 1/8" bolts (provided) to fasten angle brackets to line post and into threaded post insert.



5. Attach post to rim joist using angle mount brackets and appropriate hardware.
 - a. Allow 5/8" clearance between bottom of deck board and top of angle mount bracket for installation of fascia mount covers.
 - b. Mark and drill four 3/8" holes through rim joist and backer block for four appropriate length 3/8"-16 bolts (not provided).

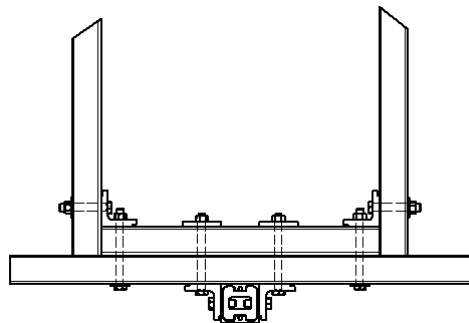
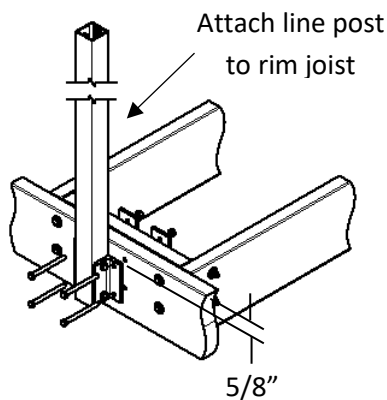
Westbury® 2" IRC Fascia Mount Posts



Installation Instructions

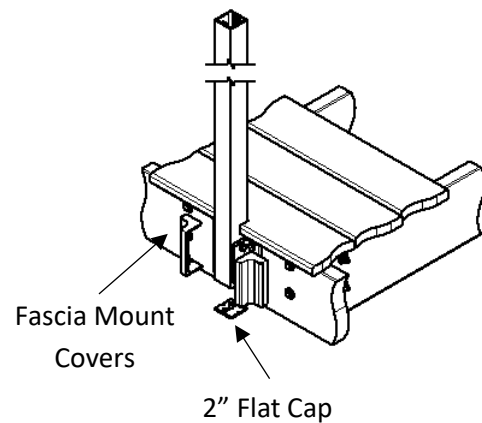
- It is the responsibility of the installer to meet all code and safety requirements, and to obtain all required building permits. The installer should determine and implement the installation techniques appropriate for each unique installation situation. Digger Specialties, Inc. and its distributors shall not be held liable for improper or unsafe installations.
- These instructions must be followed exactly as written and the materials used must be exactly as shown in the instructions. Any deviation from the instructions or variation in the materials used/installed may result in an unsuccessful installation and will void the warranty.

- c. Place two aluminum plates with holes (provided) onto bolts (not provided) on back side of backer blocks and attach four 3/8"-16 nuts (not provided) onto bolts.
- d. Tighten nuts to hold post securely.



Top View

6. Line post may need to be cut to correct length for specific application.
7. Install Fascia Mount covers.
8. Install 2" Flat Cap on bottom of line post.



9. Remove all particles and residue from Westbury aluminum components by referring to the Care and Cleaning requirements on the DSI website.



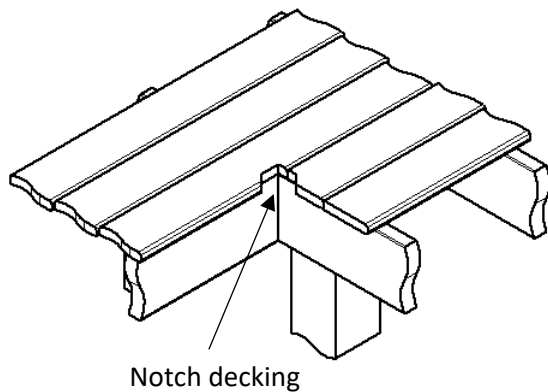
Westbury® 2" IRC Fascia Mount Posts

Installation Instructions

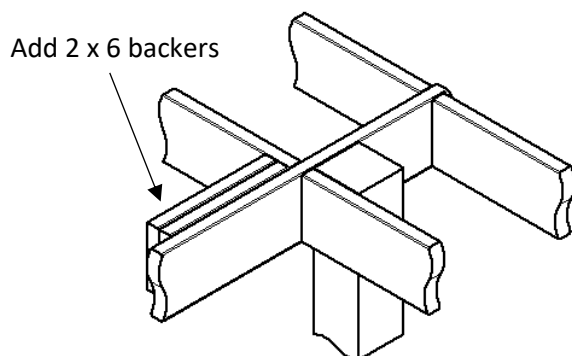
- It is the responsibility of the installer to meet all code and safety requirements, and to obtain all required building permits. The installer should determine and implement the installation techniques appropriate for each unique installation situation. Digger Specialties, Inc. and its distributors shall not be held liable for improper or unsafe installations.
- These instructions must be followed exactly as written and the materials used must be exactly as shown in the instructions. Any deviation from the instructions or variation in the materials used/installed may result in an unsuccessful installation and will void the warranty.

Inside Corner Post Installation

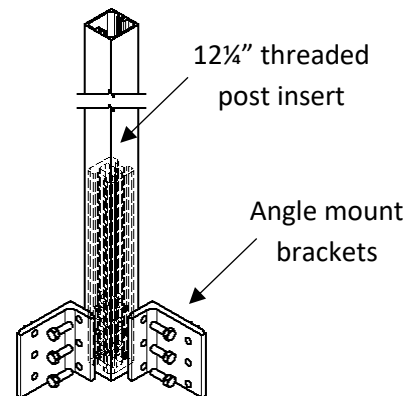
1. Determine location of inside corner post.
2. Notch decking as needed for post installation.



3. Add backer blocks behind rim joist.
 - a. Use two 2 x 6 backer blocks and secure in place with #10 x 3" deck screws.



4. Attach two aluminum angle mount brackets to inside corner post.
 - a. Insert 12¼" threaded post insert into bottom of post.
 - b. Use six 3/8"-16 x 1_1/8" bolts (provided) to fasten angle mount brackets to inside corner post and into threaded post insert.



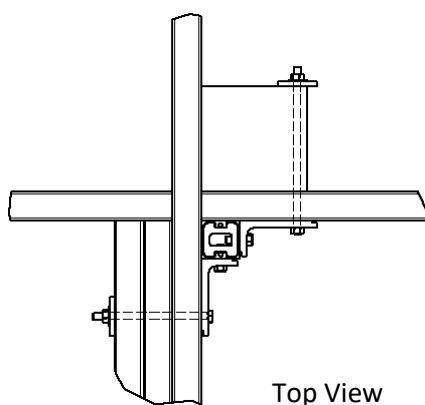
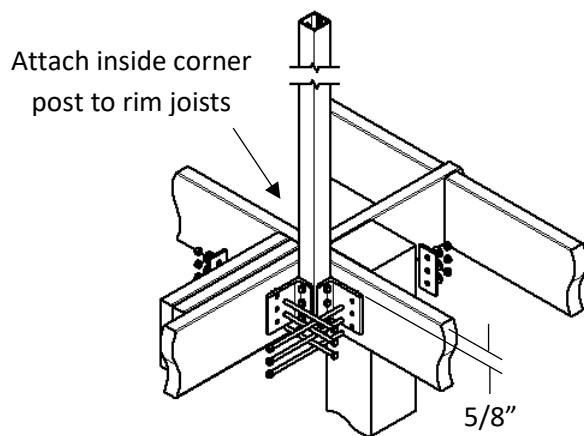
5. Attach post to inside corner of deck through rim joist and wood post using angle mount brackets and appropriate hardware.
 - a. Allow 5/8" clearance between bottom of deck board and top of angle mount bracket for installation of fascia mount covers.
 - b. Mark and drill three 3/8" holes through rim joist and backer blocks and three 3/8" holes through wood post for six appropriate length 3/8"-16 bolts (not provided) or 3/8"-16 Grade 8 threaded rods (not provided) with nuts (not provided).
 - c. Place the two aluminum plates with three holes (provided) onto bolts (not provided) or threaded rods (not provided) on back side of backer blocks and wood post and six flat washers (not provided) and six 3/8"-16 nuts (not provided) onto bolts (not provided) or threaded rods (not provided).
 - d. Tighten nuts to hold post securely.

Westbury® 2" IRC Fascia Mount Posts

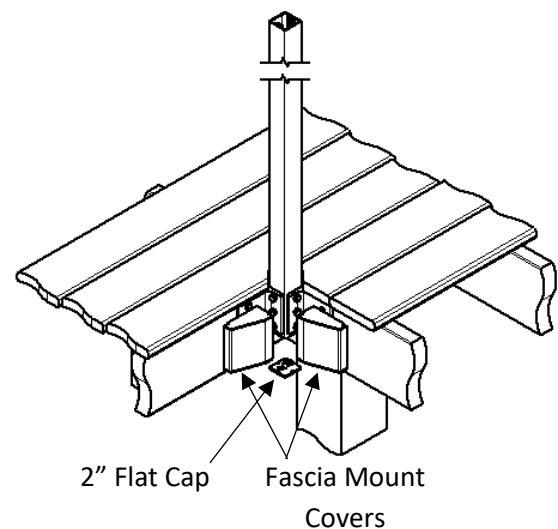
Installation Instructions

- It is the responsibility of the installer to meet all code and safety requirements, and to obtain all required building permits. The installer should determine and implement the installation techniques appropriate for each unique installation situation. Digger Specialties, Inc. and its distributors shall not be held liable for improper or unsafe installations.
- These instructions must be followed exactly as written and the materials used must be exactly as shown in the instructions. Any deviation from the instructions or variation in the materials used/installed may result in an unsuccessful installation and will void the warranty.

Note: Corner post angle mount brackets will have two protruding ribs on back side of each bracket which will press into wood as brackets are secured. **Do not remove ribs except for concrete or steel applications**



6. Inside corner post may need to be cut to correct length for specific application.
7. Install Left and Right Fascia Mount covers.
8. Install 2" Flat Cap on bottom of inside corner post.



9. **Important:** Before installing WB sections onto Inside Corner Post, holes will need to be pre-drilled for Bottom Mount installation. Position a Bottom Mount at correct height on post and mark both holes for Bottom Mount on post. Use a 5/32" drill bit and drill through 2" x 2" Inside Corner Post and into the 1/4" threaded post inserts to a depth of 5/8". Repeat this procedure for second Bottom Mount used on post. This will prevent the two #10 x 5/8" screws used for securing Bottom Mount from breaking off.

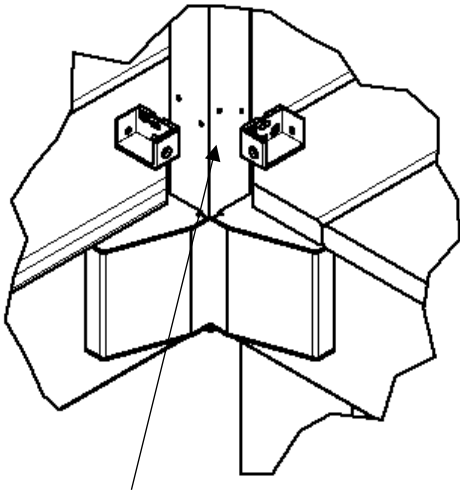
Caution: Do not strip threads on screws when installing Bottom Mounts.

Westbury® 2" IRC Fascia Mount Posts



Installation Instructions

- *It is the responsibility of the installer to meet all code and safety requirements, and to obtain all required building permits. The installer should determine and implement the installation techniques appropriate for each unique installation situation. Digger Specialties, Inc. and its distributors shall not be held liable for improper or unsafe installations.*
- *These instructions must be followed exactly as written and the materials used must be exactly as shown in the instructions. Any deviation from the instructions or variation in the materials used/installed may result in an unsuccessful installation and will void the warranty.*



Pre-drill 5/32" holes through post and into threaded post insert for Bottom Mounts installation.

10. Remove all particles and residue from Westbury aluminum components by referring to the Care and Cleaning requirements on the DSI website.



Westbury® 2" IRC Fascia Mount Posts

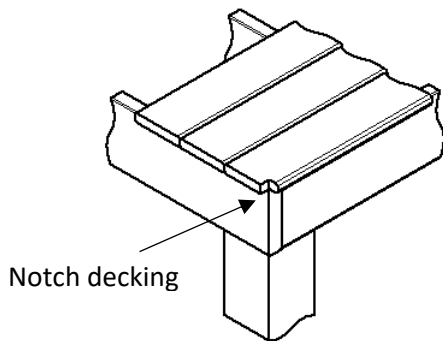


Installation Instructions

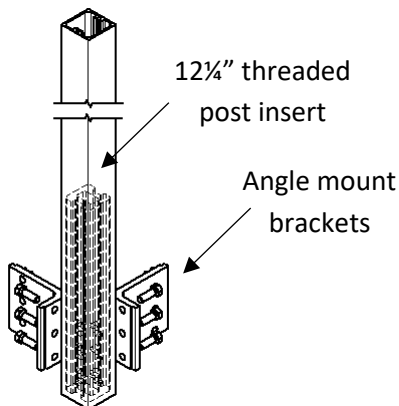
- It is the responsibility of the installer to meet all code and safety requirements, and to obtain all required building permits. The installer should determine and implement the installation techniques appropriate for each unique installation situation. Digger Specialties, Inc. and its distributors shall not be held liable for improper or unsafe installations.
- These instructions must be followed exactly as written and the materials used must be exactly as shown in the instructions. Any deviation from the instructions or variation in the materials used/installed may result in an unsuccessful installation and will void the warranty.

Outside Corner Post Installation

1. Determine location of outside corner post.
2. Notch decking as needed for post installation.



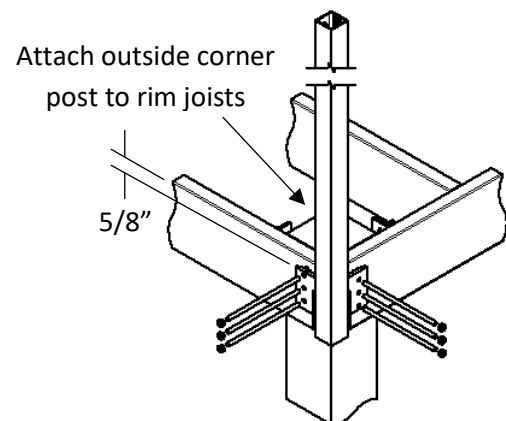
3. Attach two aluminum angle mount brackets to outside corner post.
 - a. Insert 1 1/4" threaded post inserts into bottom of post.
 - b. Use six 3/8"-16 x 1 1/8" bolts (provided) to fasten angle mount brackets to outside corner post and into threaded post insert.



4. Attach post to outside corner of deck through wood post using angle mount brackets and appropriate hardware.

- a. Allow 5/8" clearance between bottom of deck board and top of angle mount bracket for installation of fascia mount covers.
- b. Mark and drill six 3/8" holes through wood post for six appropriate length 3/8"-16 bolts (not provided) or 3/8"-16 Grade 8 threaded rods (not provided) with nuts (not provided).
- c. Place the two aluminum plates with three holes (provided) onto bolts (not provided) or threaded rods (not provided) on back side of wood post and six flat washers (not provided) and six 3/8"-16 nuts (not provided) onto bolts (not provided) or threaded rods (not provided).
- d. Tighten nuts to hold post securely.

Note: Corner post angle mount brackets will have two protruding ribs on back side of each bracket which will press into wood as brackets are secured. **Do not remove ribs except for concrete or steel applications**

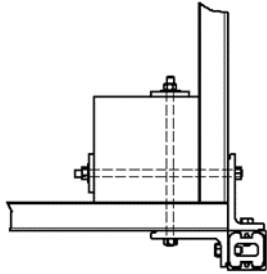


Westbury® 2" IRC Fascia Mount Posts



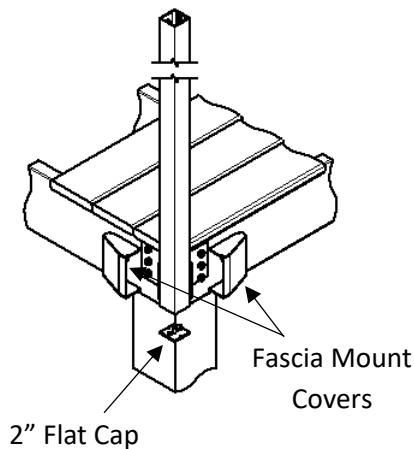
Installation Instructions

- It is the responsibility of the installer to meet all code and safety requirements, and to obtain all required building permits. The installer should determine and implement the installation techniques appropriate for each unique installation situation. Digger Specialties, Inc. and its distributors shall not be held liable for improper or unsafe installations.
- These instructions must be followed exactly as written and the materials used must be exactly as shown in the instructions. Any deviation from the instructions or variation in the materials used/installed may result in an unsuccessful installation and will void the warranty.



Top View

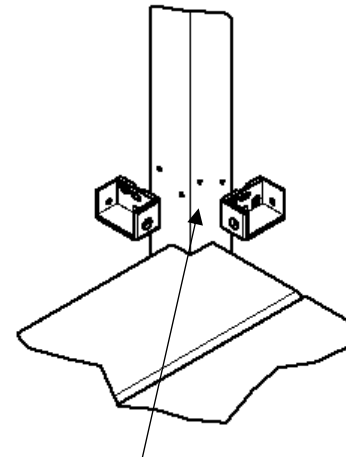
5. Outside corner post may need to be cut to correct length for specific application.
6. Install Left and Right Fascia Mount covers.
7. Install 2" Flat Cap on bottom of outside corner post.



8. **Important:** Before installing WB sections onto Outside Corner Post, holes will need to be pre-drilled for Bottom Mount installation. Position a Bottom Mount at correct height on post and mark both holes for Bottom Mount on post. Use a 5/32" drill bit and drill through 2" x 2" Outside Corner Post and into the 1 3/4" threaded post

insert to a depth of 5/8". Repeat this procedure for second Bottom Mount used on post. This will prevent the two #10 x 5/8" screws used for securing Bottom Mount from breaking off.

Caution: Do not strip threads on screws when installing Bottom Mounts.



Pre-drill 5/32" holes through post and into threaded post insert for Bottom Mounts.

9. Remove all particles and residue from Westbury aluminum components by referring to the Care and Cleaning requirements on the DSI website.

