



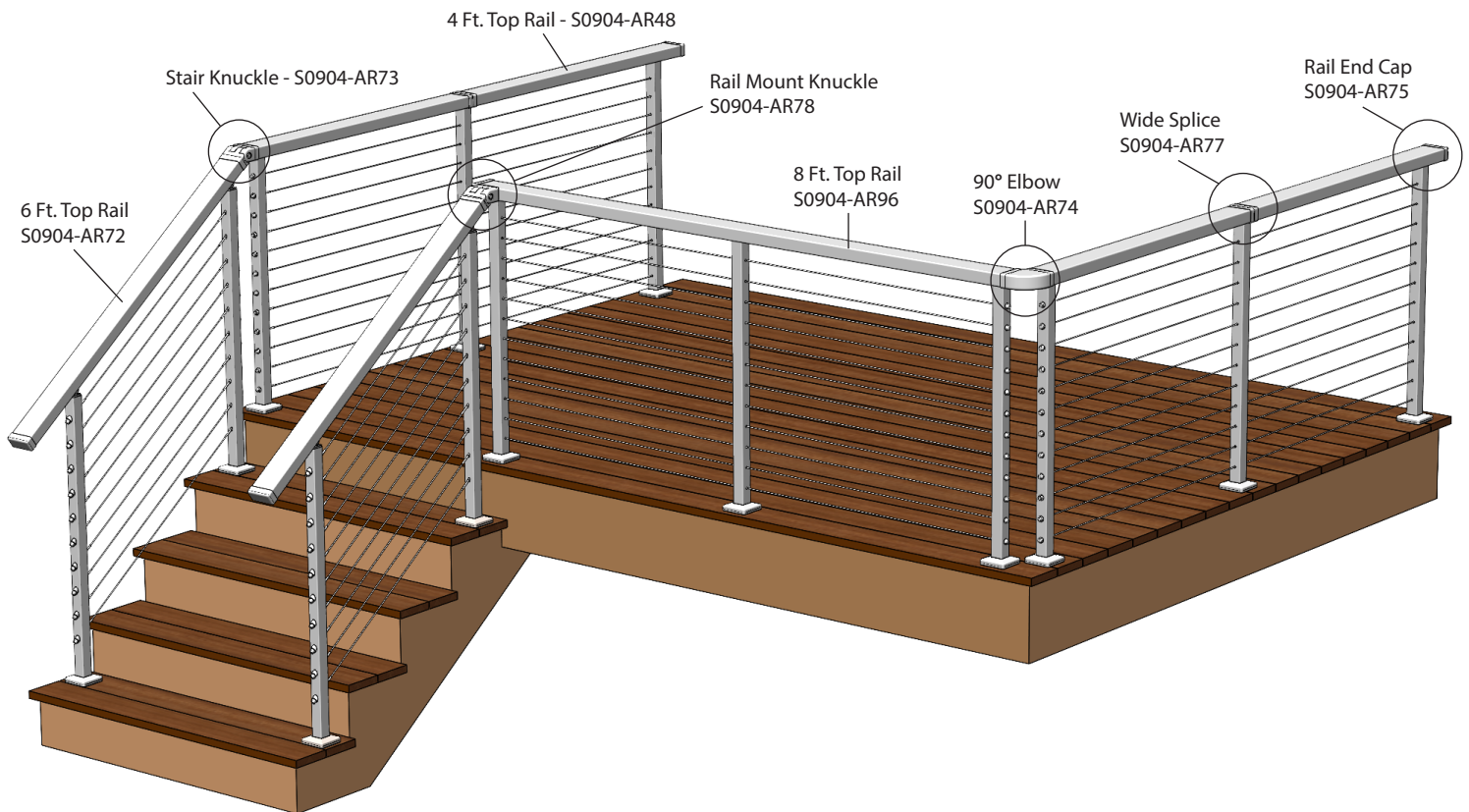
Top Rail

Powder Coated Aluminum Top Rail for Spectrum Systems

Revision 1

Designed for Spectrum Systems, this aluminum top rail installs easily and results in an ultra-modern, all metal cable rail system.

The Spectrum Top Rail System consists of Spectrum posts that can be fascia or surface mounted and an extruded aluminum 1-5/8" x 3-1/2" top rail. The top rail is available in standard lengths of 4', 6' and 8' and features a small assortment of adaptive rail fittings. The system is designed for use with Spectrum posts only. The simple design of the top rail system allows installers to handle a variety of rail transitions using a small set of components and common installation tools. The top rail and associated fittings are made of aluminum and powder-coated in the standard Spectrum color options.



## Standard Colors



Black



Metallic Silver



Pure White



Dark Brown

### Standard Color Options:

Black (-BK), Metallic Silver (-MT), Pure White (-WH), Dark Brown (-BR)

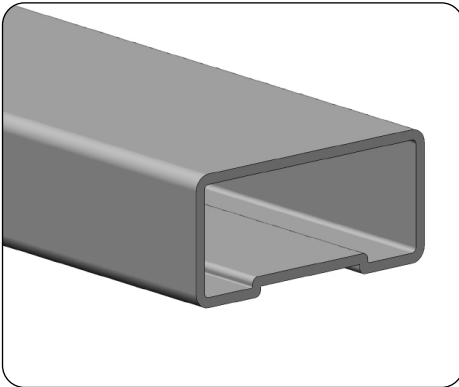
### Powder Coat Finish: Satin/Smooth



### Touch Up Paint, 6oz. (P0904-P001-XX)

Use Spectrum touch-up paint to fix any scratches which may occur to the powder coat finish during the installation process.

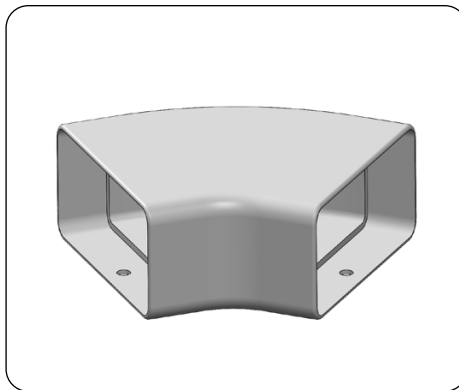




## Aluminum Top Rail

4 Ft. Spectrum Top Rail (S0904-AR48-XX)  
6 Ft. Spectrum Top Rail (S0904-AR72-XX)  
8 Ft. Spectrum Top Rail (S0904-AR96-XX)

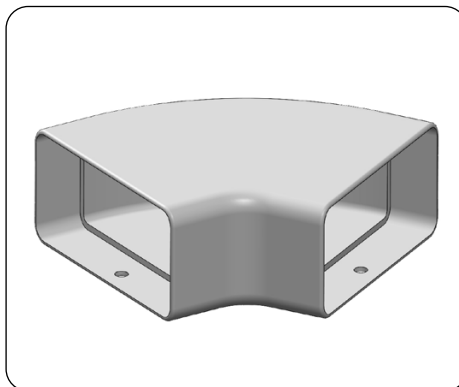
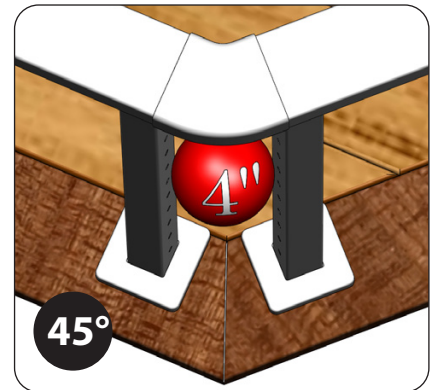
Used in conjunction with a variety of cast aluminum rail fittings and designed for use with Spectrum posts to create an all metal railing system. The recessed channel on the underside accepts the top mounting plate of each post and attaches using panhead screws. The top rail is extruded aluminum measuring 1-5/8" x 3-1/2" and is available in standard lengths of 4', 6' and 8'. Powdercoated in our standard Spectrum color options.



## 45 Degree Elbow

Spectrum Top Rail Elbow, 45 Degree  
(S0904-AR45-XX)

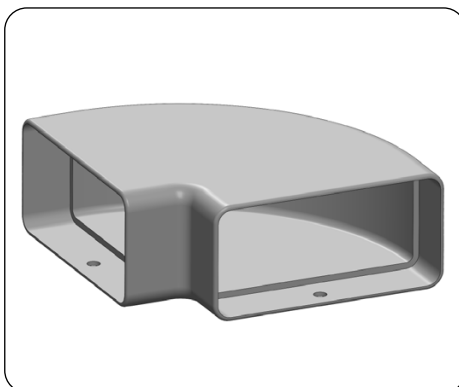
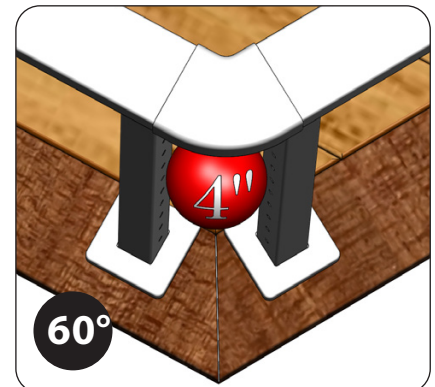
For connecting Spectrum Top Rail sections that meet at a 45 degree angle, such as sections on an octagonal deck. Designed to allow double posts to remain within the allowable 4" or less spacing. Attaches to top rail with (2) panhead screws. Fitting is hollow to allow electrical wiring to pass through for optional LED accent lighting. Powdercoated in our standard Spectrum color options.



## 60 Degree Elbow

Spectrum Top Rail Elbow, 60 Degree  
(S0904-AR60-XX)

For connecting Spectrum Top Rail sections that meet at a 60 degree angle, such as sections on a hexagonal deck. Designed to allow double posts to remain within the allowable 4" or less spacing. Attaches to top rail with (2) panhead screws. Fitting is hollow to allow electrical wiring to pass through for optional LED accent lighting. Powdercoated in our standard Spectrum color options.

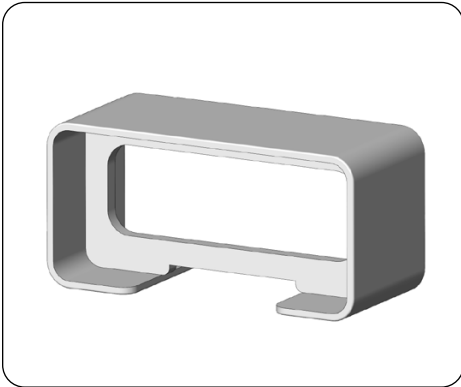


## 90 Degree Elbow

Spectrum Top Rail Elbow, 90 Degree  
(S0904-AR74-XX)

For connecting Spectrum Top Rail sections that meet at a 90 degree angle corner. Designed to allow double posts to remain within the allowable 4" or less spacing. Attaches to top rail with (2) panhead screws. Fitting is hollow to allow electrical wiring to pass through for optional LED accent lighting. Powdercoated in our standard Spectrum color options.

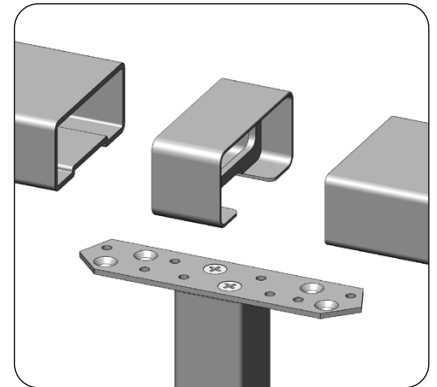




### Wide Splice

Spectrum Top Rail Wide Splice  
(S0904-AR77-XX)

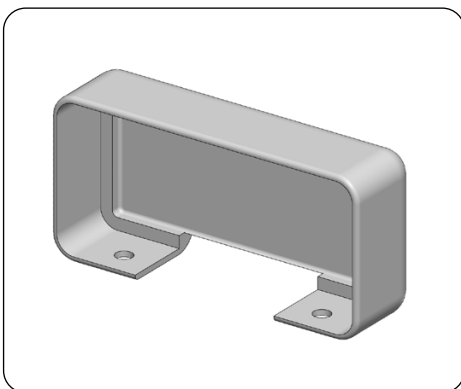
For connecting Spectrum Top Rail sections that meet over mid posts. Designed to conceal the cut edges of the aluminum top rail and dimensioned to match the 1.5" width of the post. Center the splice on top of the post for a clean look. The assembly is secured to the post's top mounting plate from underneath using panhead screws. Fitting is hollow to allow electrical wiring to pass through for optional LED accent lighting. Powdercoated in our standard Spectrum color options.



### End Cap, Standard

Spectrum Top Rail End Cap  
(S0904-AR75-XX)

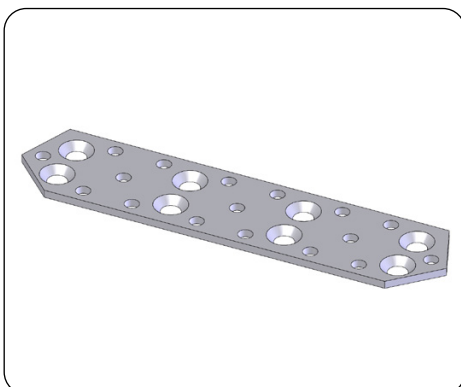
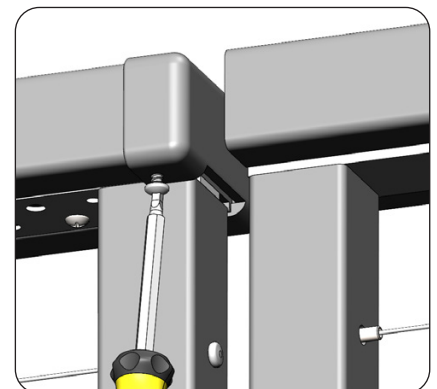
For capping off Spectrum Top Rail end(s) on stairs and end posts. Designed to conceal the cut edge of the aluminum top rail. Requires a minimum of 1" top rail overhang on post to function properly. Attaches to top rail with (1) panhead screw. Powdercoated in our standard Spectrum color options.



### End Cap, Notched

Spectrum Top Rail Notched End Cap  
(S0904-AR65-XX)

For capping off Spectrum Top Rail ends on gates and gate openings. Designed to conceal the cut edge of the aluminum top rail. This cap is notched to saddle the posts and gate to allow the caps the proper clearance for gate operation. Installation requires cutting the top mounting plates flush with the posts on either side of the gate opening. Attaches to top rail with (2) panhead screws. Powdercoated in our standard Spectrum color options.

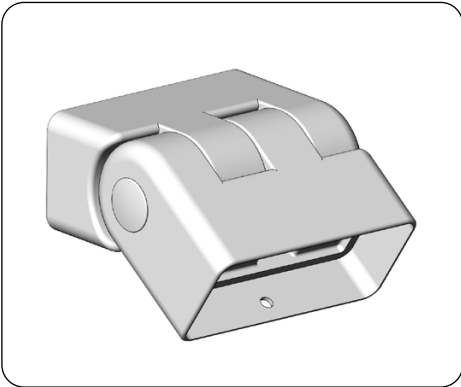


### EC Post Adaptor Plate

Spectrum Top Rail EC Post Adaptor Plate  
(P0904-XX50-EC)

For adapting the End/Corner (-EC) posts to accept the Spectrum Top Rail. The standard top mounting plate supplied with the -EC posts is too wide. This -EC Post Adaptor Plate is designed to fit the channel on the underside of the top rail. Attaches to the post with machine screws and to top rail with panhead screws. Powdercoated in our standard Spectrum color options.

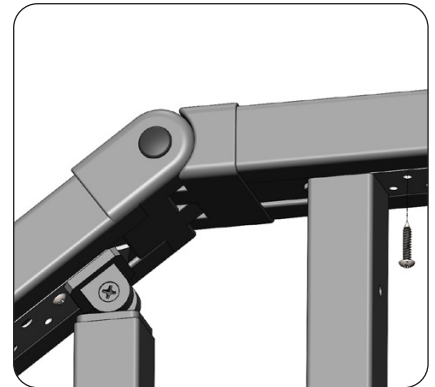




### Stair Knuckle, Standard

Spectrum Top Rail Stair Knuckle  
(S0904-AR73-XX)

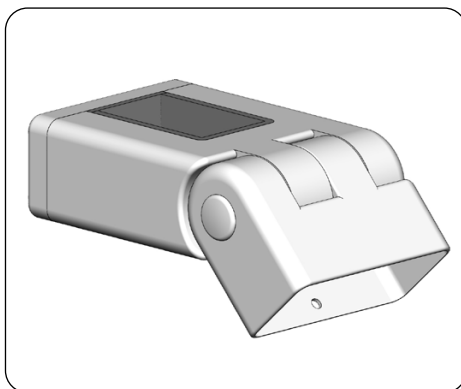
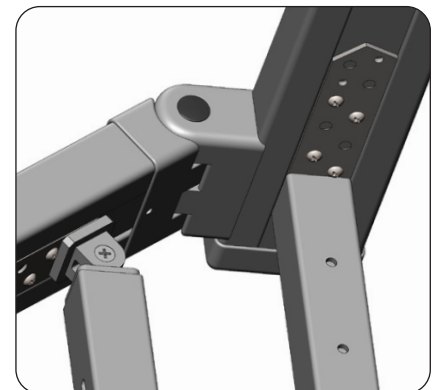
For transitioning from 36" height level rail section to "in-line" stair rail. Adjustable up to 45 degree angle. Attaches to top rail with (2) panhead screws. Powdercoated in our standard Spectrum color options.



### Stair Knuckle, Rail Mount

Spectrum Top Rail "Rail Mount" Stair Knuckle  
(S0904-AR78-XX)

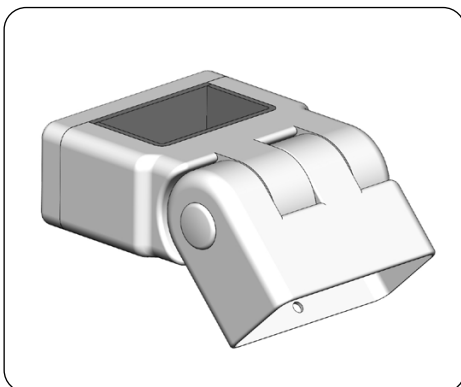
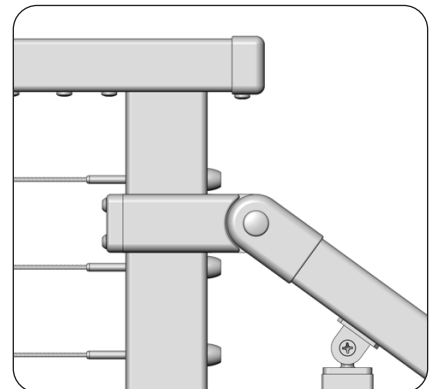
For transitioning from 36" height level rail section to "perpendicular" stair rail. Adjustable up to 45 degree angle. Attaches to the side of the level section top rail with (2) panhead screws and to the stair rail using (1) panhead screw. Powdercoated in our standard Spectrum color options.



### Stair Knuckle, EC Clamp - Narrow

Spectrum Top Rail,  
EC Clamp Stair Knuckle - Narrow  
(S0904-AR68-XX)

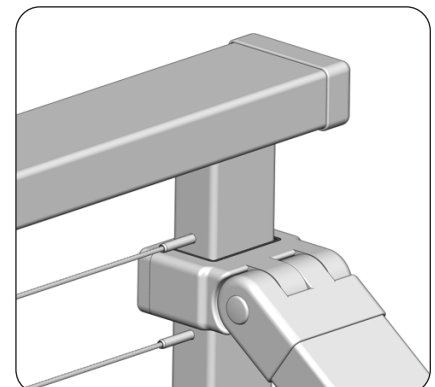
For transitioning from 42" height level rail section to "in-line" stair rail. Adjustable up to 45 degree angle. Clamps onto the -EC Post (1.5"x2.5") using an allen key to tighten the (4) machine screws. Attaches to the stair rail using (1) panhead screw. Powdercoated in our standard Spectrum color options.

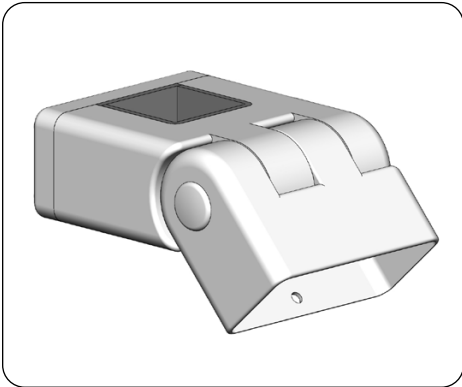


### Stair Knuckle, EC Clamp - Wide

Spectrum Top Rail,  
EC Clamp Stair Knuckle - Wide  
(S0904-AR67-XX)

For transitioning from 42" height level rail section to "perpendicular" stair rail. Adjustable up to 45 degree angle. Clamps onto the -EC Post (2.5"x1.5") using an allen key to tighten the (4) machine screws. Attaches to the stair rail using (1) panhead screw. Powdercoated in our standard Spectrum color options.

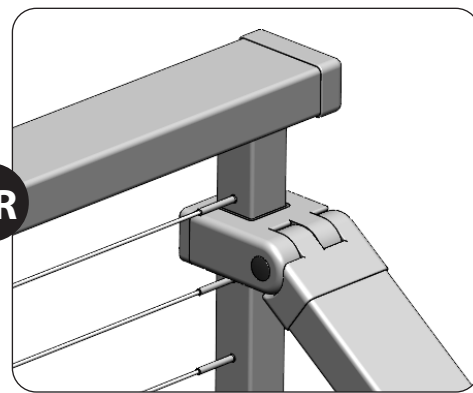
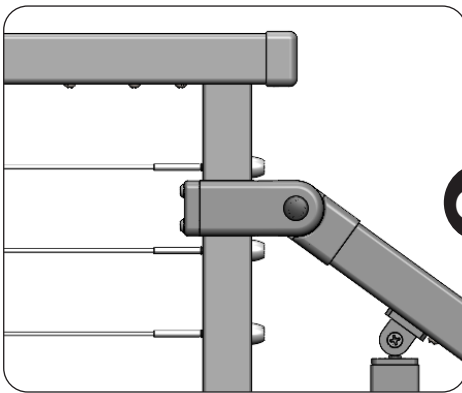




## Stair Knuckle, Clamp

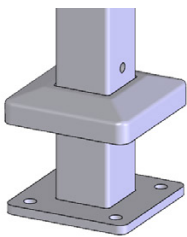
Spectrum Top Rail "Clamp" Stair Knuckle (S0904-AR76-XX)

For transitioning from 42" height level rail section to "in-line" or "perpendicular" stair rail. Adjustable up to 45 degree angle. Clamps onto the Spectrum Post (1.5"x1.5") using an allen key to tighten the (4) machine screws. Attaches to the stair rail using (1) panhead screw. Powdercoated in our standard Spectrum color options.



OR

## USEFUL SPECIFICATIONS



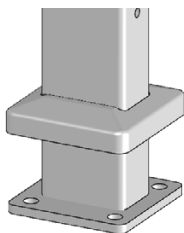
### Standard Post Details Surface Mount

- Post = 1.5"x1.5"
- Base = 3.5"x3.5"
- Hole Dia. = 11/32"
- Holes 2.5" On-Center



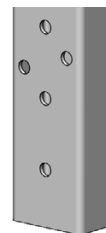
### Standard Post Details Fascia Mount

- Post = 1.5"x1.5"
- Hole Dia. = 11/32"



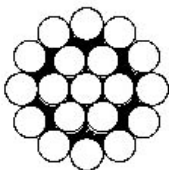
### End/Corner (-EC) Post Details Surface Mount

- Post = 2.5"x1.5"
- Base = 3.5"x3.5"
- Hole Dia. = 3/8"
- Holes 2.5" On-Center



### End/Corner (-EC) Post Details Fascia Mount

- Post = 2.5"x1.5"
- Hole Dia. = 3/8"



### Cable Details

- 316L Stainless Steel
- 1x19, Left Hand Lay
- 1/8" Diameter





## Add LED Accent Lighting to your Spectrum Top Rail System with MicroStar™ Light Bars!

MicroStar™ LED Light Bars can be added to your Spectrum Top Rail system to provide accent lighting and ambiance. Light Bars surface mount to the underside of the top rail delivering significant downlighting. The hue of the lights can be described as bright white/daylight. The light bars are connected using a series of water-resistant jumpers and rubber grommets for a clean install. The MicroStar™ Transformer (DC) powers the lighting system and is UL approved.

**For more information see the MicroStar™ Lighting Detailed Overview Catalog**



### **MicroStar™ Transformer** (S0832-0005)

DC transformer used to power the optional MicroStar™ LED Light Bars on Spectrum Top Rail. Heavy duty, water resistant construction. UL approved.



### **MicroStar™ LED Light Bar** 18" (S0825-0018-XX\*) 30" (S0825-0030-XX\*) 42" (S0825-0042-XX\*)

LED accent lighting that can be surface mounted on the underside of the Spectrum Top Rail.



### **Wire Harness Grommet, 10 Pack** (S0825-GR1203-10)

These rubber grommets are installed into the holes used for wiring the MicroStar™ LED Light Bars on Spectrum Top Rail. Protects wiring from sharp edges.