



Modern Fire Tables

Assembly & Installation

Installation & User Guide

Installer please leave this with homeowner

MERGE
OUTDOORS

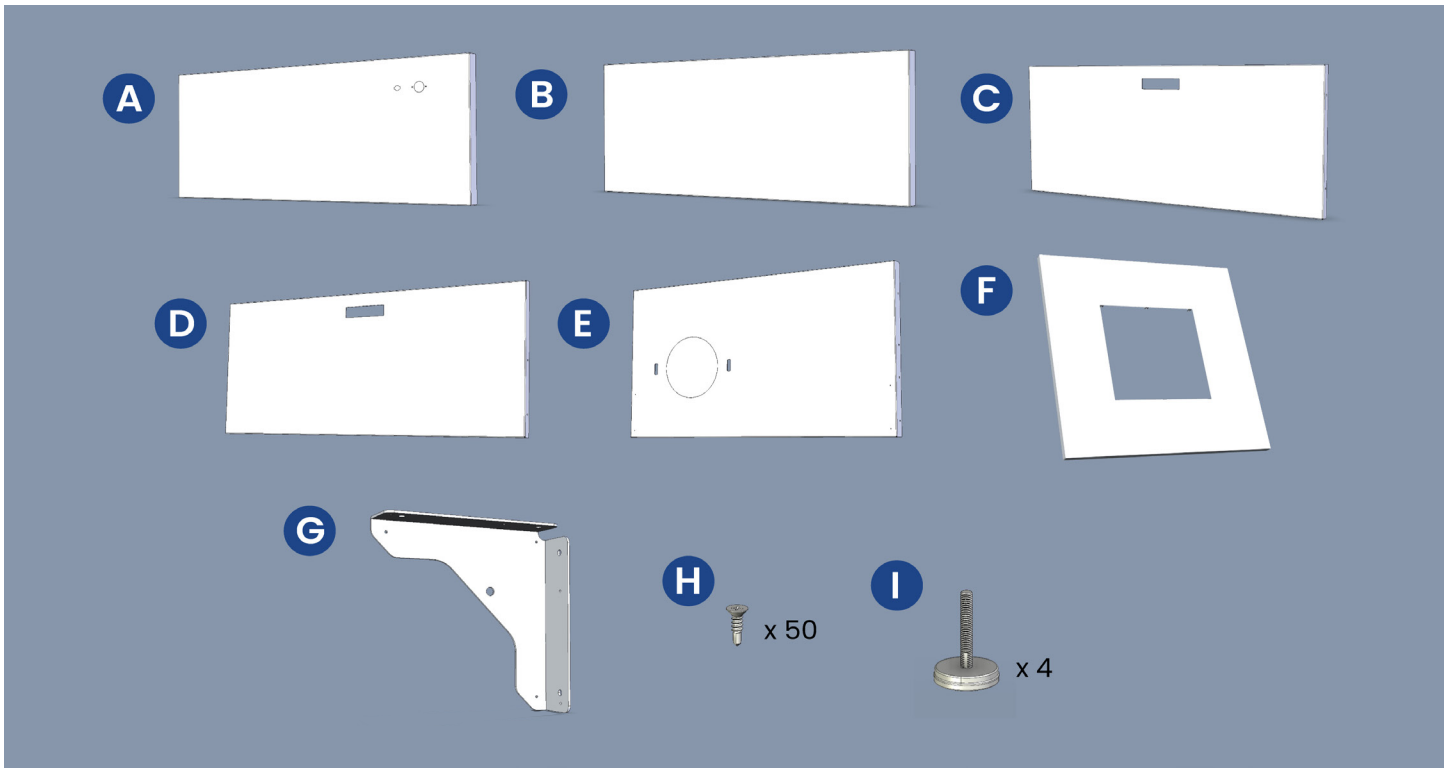
Thank You For Purchasing!

Congratulations on your brand new Merge Outdoors fire table!

Please reach out to your retailer if you have any questions or need further help with installation. We hope you enjoy your fire table for years to come!

Included Parts & Tools

The following parts and tools are included with your Fire Table.



A. Side Panel with gas valve knockout

B. Side Panel with no gas valve knockout

C. End Panel: 1x (slightly larger, with pre-drilled holes at the top)

D. Drawer Face Panel: 1x (slightly smaller, with no pre-drilled holes at the top)

E. Drawer Bottom Plate: 1x

F. Countertop: 1x

G. Corner Bracket: 4x

H. Self-Tapping Metal Screws: 50x

I. Leveling Legs: 4x

Additional Required Tools

You'll need these household tools to complete installation:

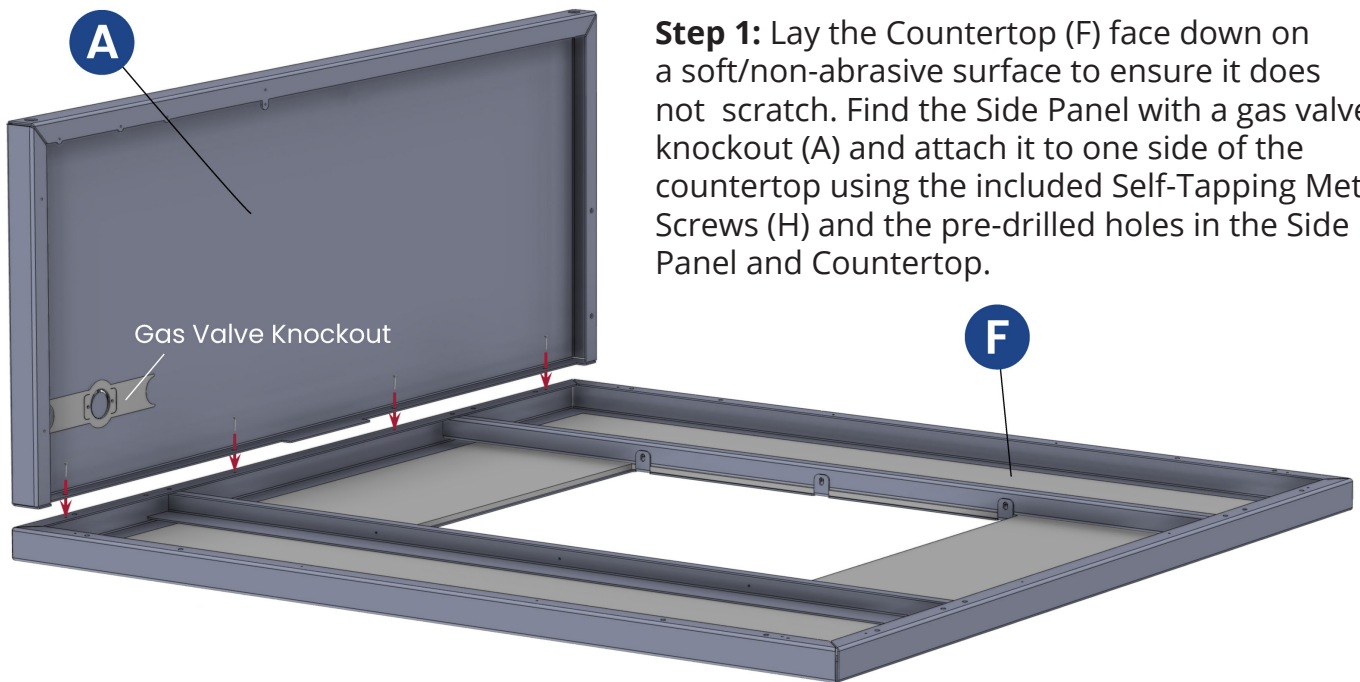
- Phillips Screwdriver (Not Included)
- Rubber Mallet (Not Included)
- Pliers (Not Included)

Fire Table Assembly

Estimated Assembly Time: 1 hour

Recommended: 2 people for assembly

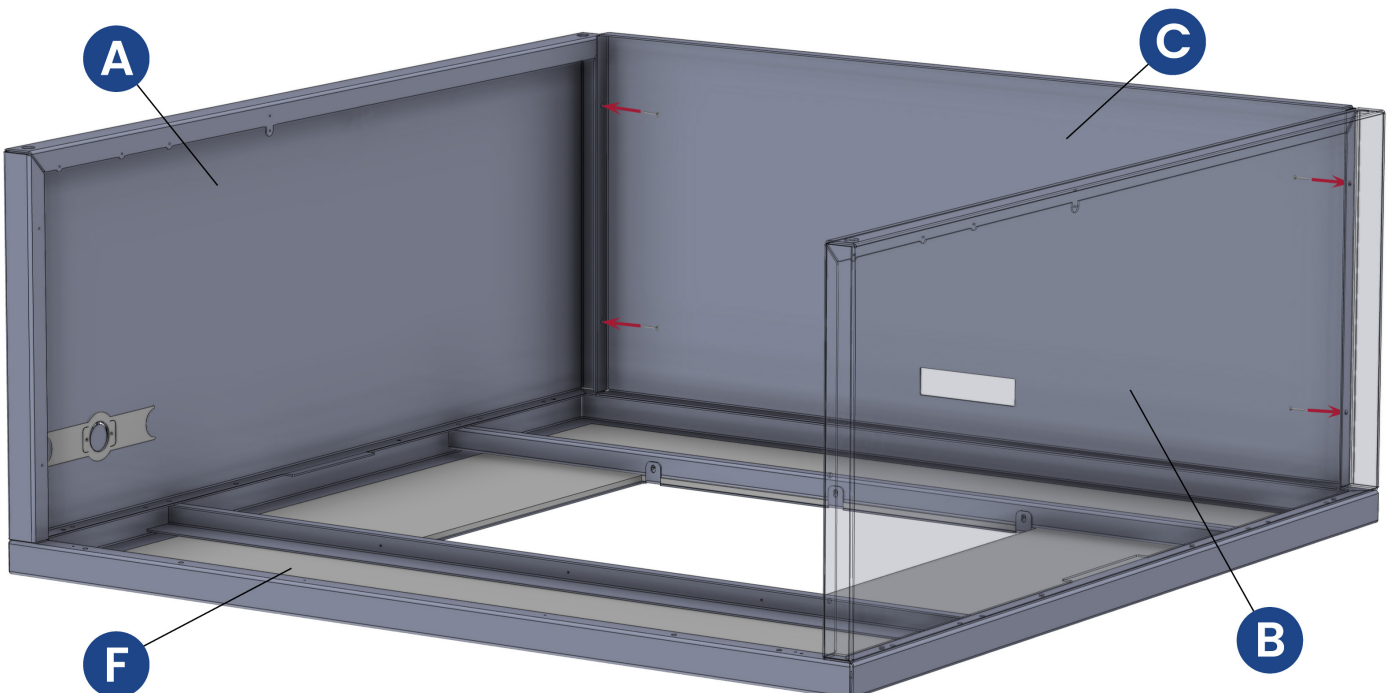
Shell Construction



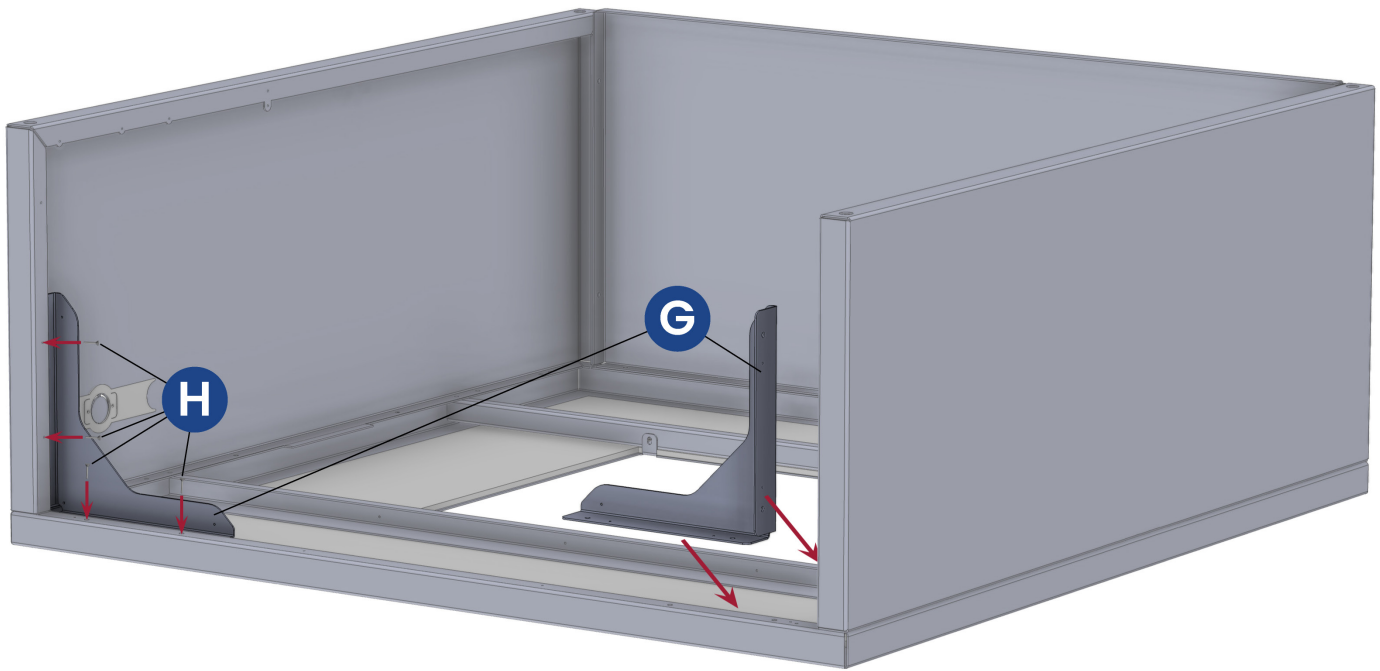
Step 1: Lay the Countertop (F) face down on a soft/non-abrasive surface to ensure it does not scratch. Find the Side Panel with a gas valve knockout (A) and attach it to one side of the countertop using the included Self-Tapping Metal Screws (H) and the pre-drilled holes in the Side Panel and Countertop.

Step 2: Attach the End Panel (C) to the Countertop (F) using Self-Tapping Metal Screws (H) and the pre-drilled holes. The End Panel should touch the end of the Side Panel (A) that does not have the gas valve knockout. This will allow the gas valve knockout to be near the drawer opening for easier access.

Step 3: Attach the Side Panel (B) without the gas valve knockout to the Countertop (F). Fasten the corners of the End Panel to both Side Panels using the Self-Tapping Metal Screws (H).

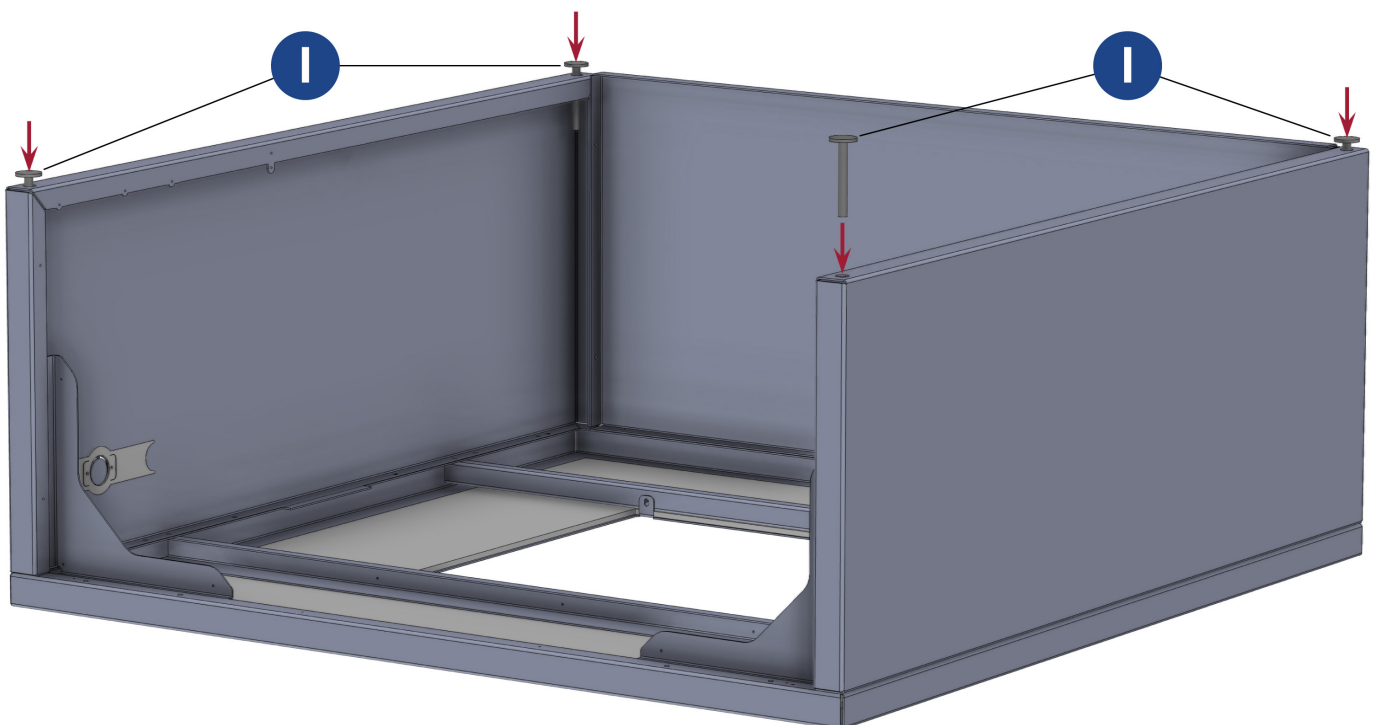


Step 4: Insert two of the Corner Brackets (G) into the open side of the shell. Fasten them in place using the Self-Tapping Metal Screws (H)



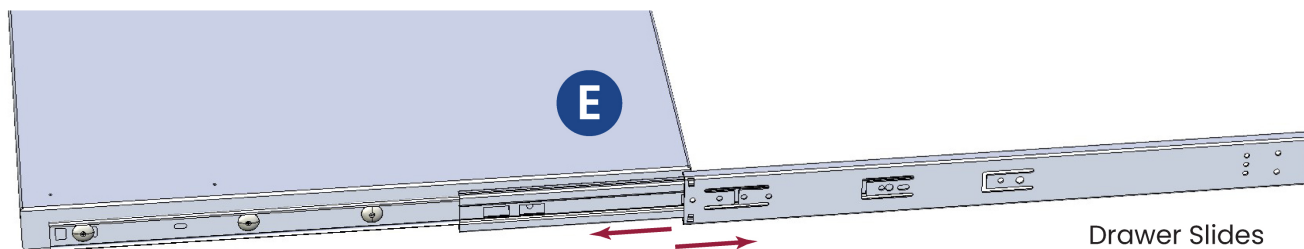
Leveling System

Step 5: Install the Leveling Legs (I) through the threaded grommets in each corner. Once your table is completed, you can use these leveling legs to adjust your table to the surface below.

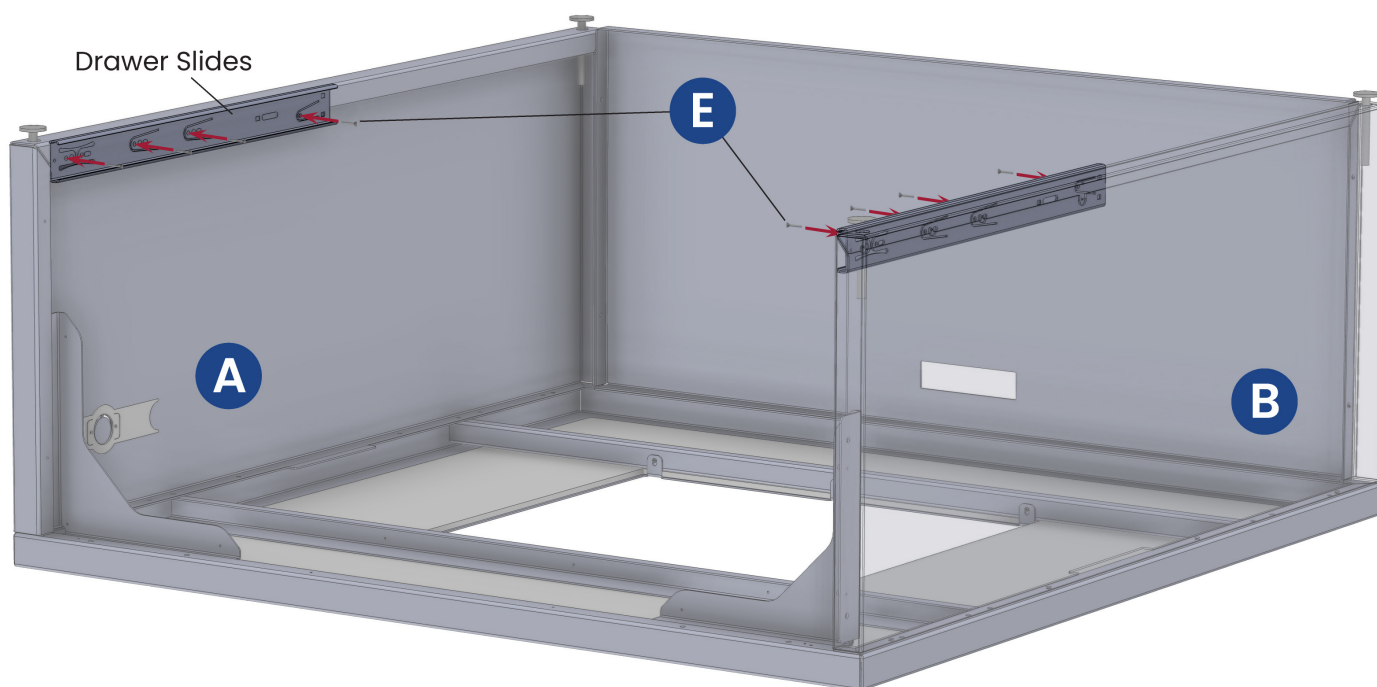


Access Drawer Assembly

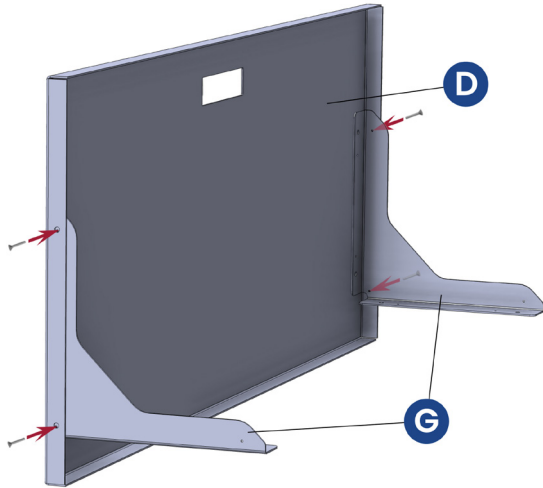
Step 6: The drawer slides are pre-installed to the Drawer Bottom Plate (E). Remove the outer slide bracket from each side.



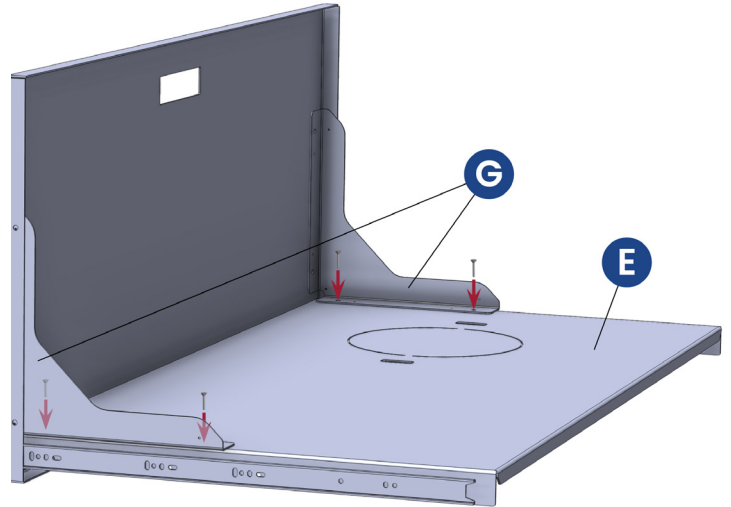
Step 7: Attach the outer slide bracket to the Side Panels (A and B) as shown below. Use Self-Tapping Metal Screws (H) and align the pre-drilled holes in the drawer slides and the Side Panels.



Step 8: Fasten two Corner Brackets (G) to the Drawer Face Panel (D) as shown.

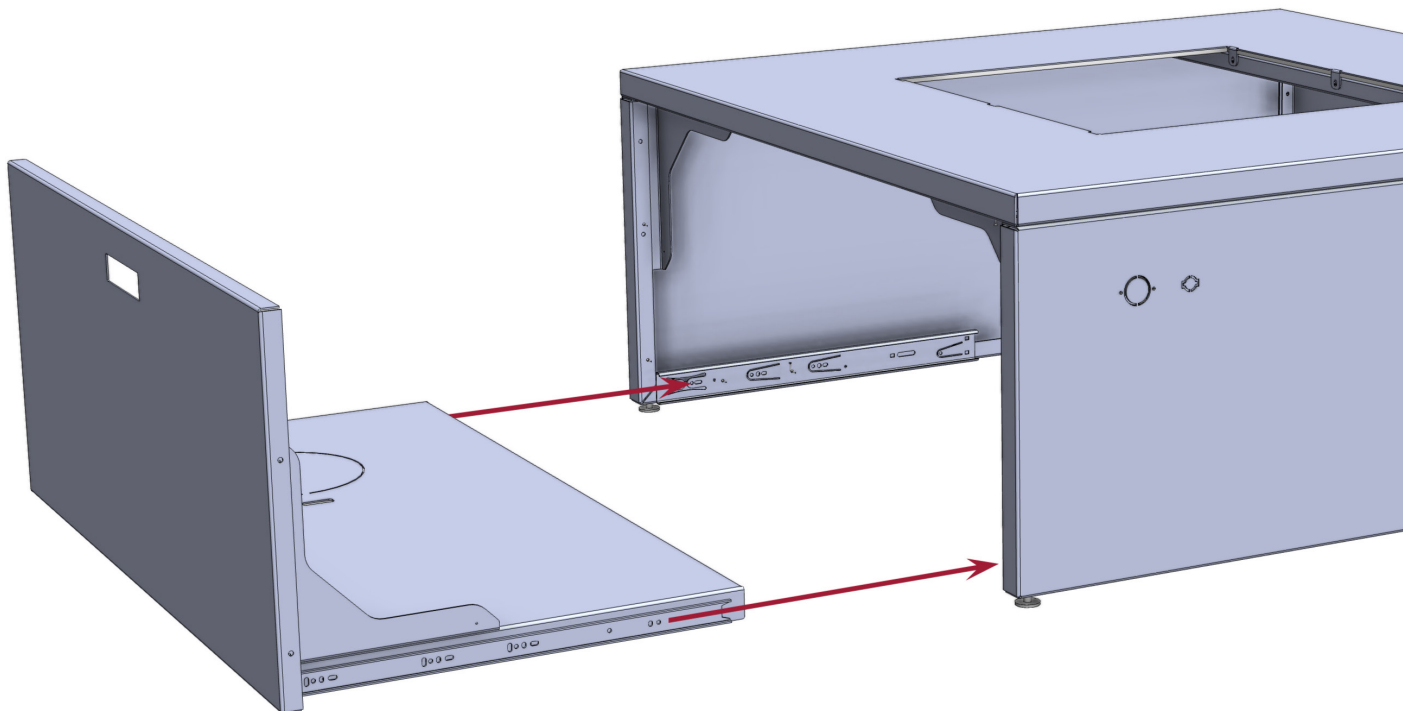


Step 9: Then attach the Corner Brackets (G) to the Drawer Bottom Plate (E).



Access Drawer Installation

Step 10: Turn the shell over and place it on the Leveling Legs. Install the Access Drawer by inserting the drawer slides into the corresponding slide trays inside the shell.



Burner & Gas Valve Installation

Your specific burner will include separate install instructions. Following the instructions provided by the burner manufacturer, install your burner into the countertop. Each Fire Table comes with a knock-out for a standard gas valve coupling, and a knock-out for an electric ignition switch (if applicable).

Find the knockouts in your fire table shell. They'll look like a small circular outline cut into the metal. To remove the knockout, put the tip of a screwdriver just inside the edge and tap it with a hammer to punch out the knockout. Grab the metal knockout with a pliers and twist until the last bit of metal breaks free.

If your burner has an electric ignition system, remove the ignition knock-out as well. Fold out the valve post wings as shown in Figure B, and install the gas shutoff valve.

Figure A

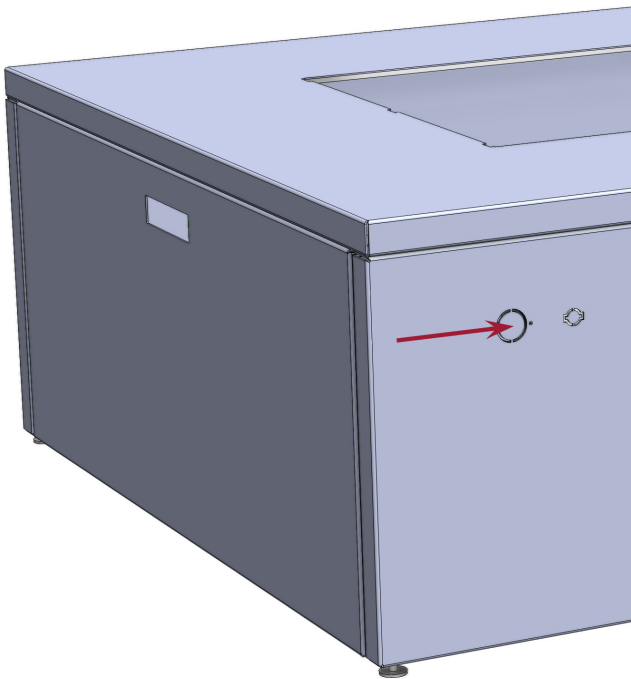


Figure B



Operation & Maintenance

Excessive heat can cause damage to the finish. If the appropriate windshield is not used, damage caused by overheating is considered abuse and is not covered under warranty.

- You can clean your fire table using a damp cloth and soap or mild household cleaner. Use rubbing alcohol for tougher stains.

To prevent damage to the finish, don't use abrasive cleaning products or cleaners containing ammonia or other harsh chemicals. For third party burners and components, please follow the manufacturer's instructions for cleaning and maintenance.

- We recommend waxing your Fire Table at least once a year to help protect the finish against wear and fading. You can use any common car wax.

Warranty

Your Fire Table is covered by a 3 year limited warranty. Please reach out to your retailer for any warranty claims on the fire table shell.

If your fire table came with an included burner kit, the burner is covered by a warranty from Firegear Outdoors. Please reach out to Firegear Outdoors for any warranty claims related to your burner.

- Firegear Outdoors: 800-966-8126 - info@firegearoutdoors.com.

Photos of Completed Products

We would love to see pictures of your finished project and celebrate your amazing outdoor space with you! Tag #MergeOutdoors on social to share your best photos. We may feature them on our website or social media platforms!



WARNING

This product can expose you to chemicals including Carbon Black, which is known to the state of California to cause Cancer.

For more information go to www.P65Warnings.ca.gov