

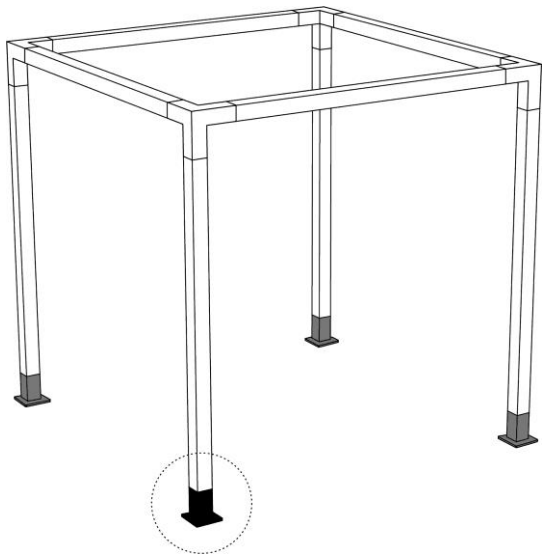


LINX™

SIMPLIFIED PERGOLA SYSTEM

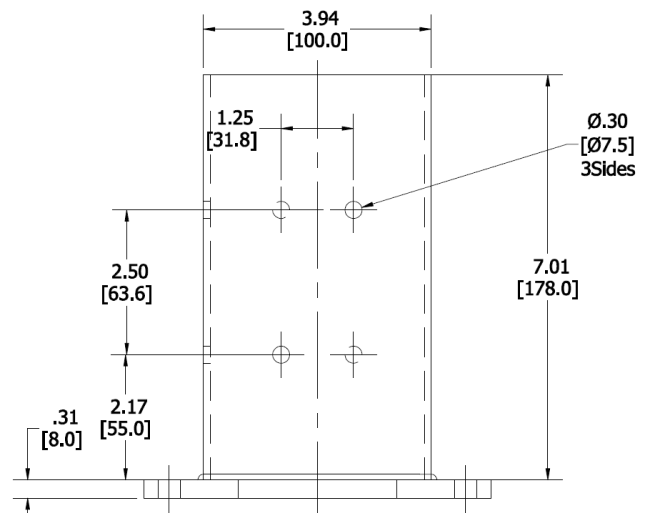
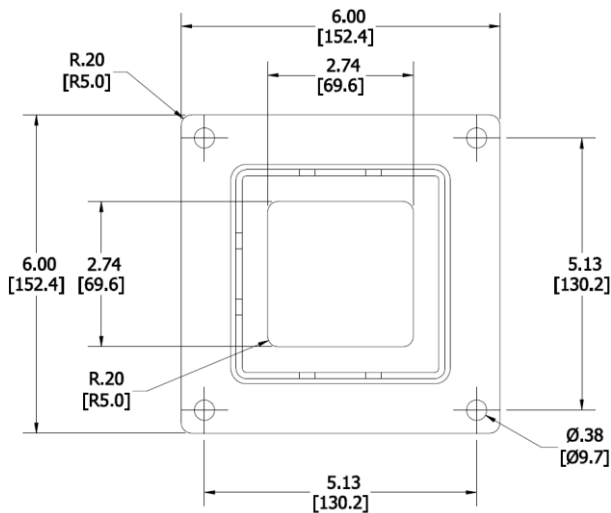


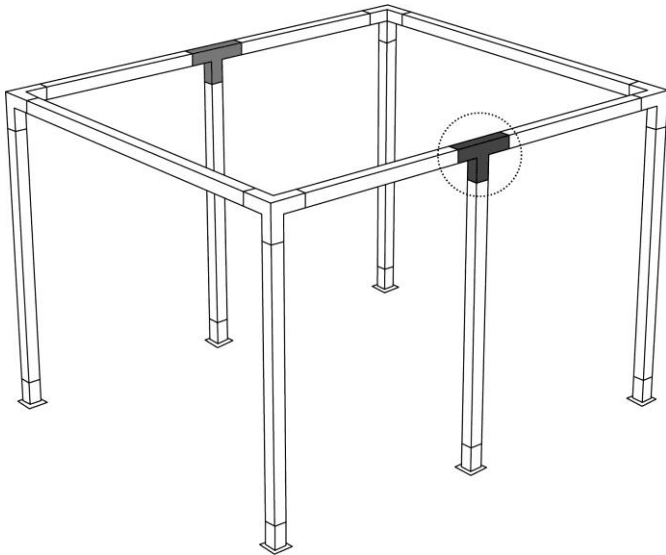
4x4 SPECIFICATION SHEETS



SPECIFICATIONS

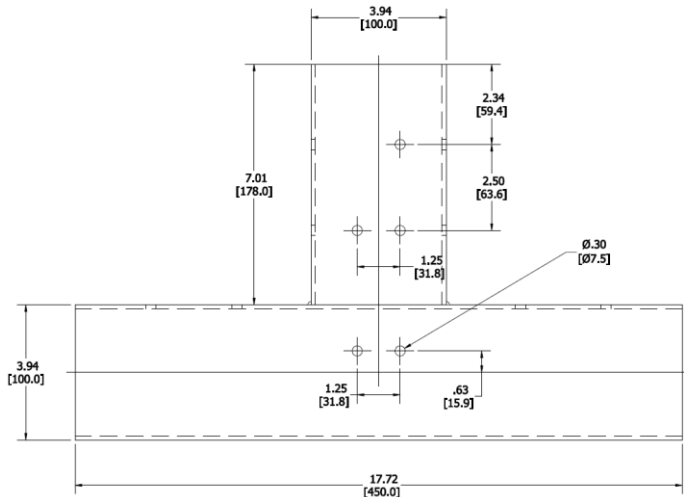
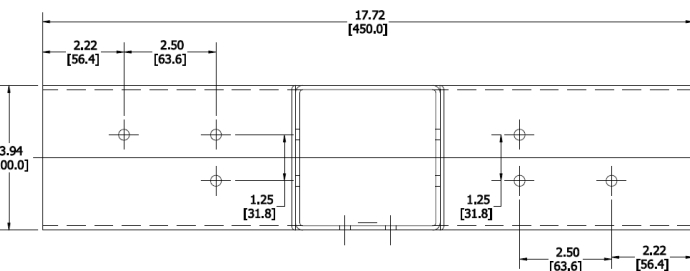
- Box LxWxH - 6.9" x 6.9" x 8.1"
- Box Weight – 7.7 Lbs
- SKU - 3051855
- UPC - 097523051855
- Full Pallet - 175 pcs
- Opening Order Pallet - 24 pcs
- Tube - 3.9" x 3.9" x 3.0mm
- Fastener - ¼" x 1.5" lag screw





SPECIFICATIONS

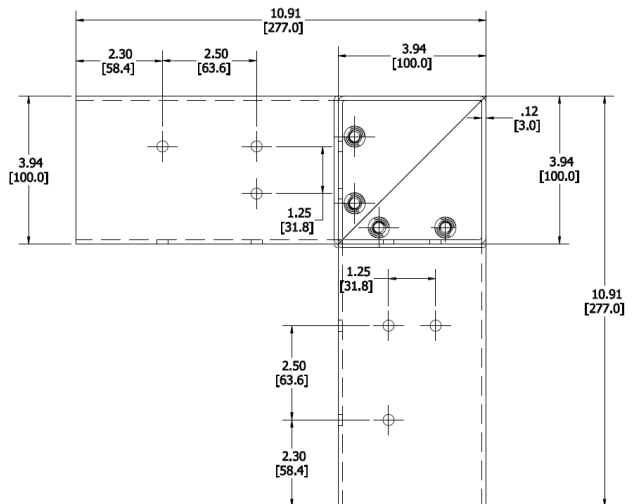
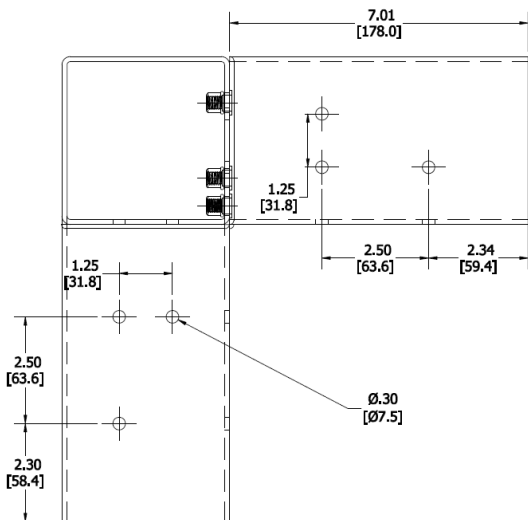
- Box LxWxH – 18.7” x 5” x 12”
- Box Weight – 15.7 Lbs
- SKU - 3051862
- UPC - 097523051862
- Full Pallet - 72 pcs
- Opening Order Pallet - 4 pcs
- Tube - 3.9” x 3.9” x 3.0mm
- Fastener - ¼” x 1.5” lag screw

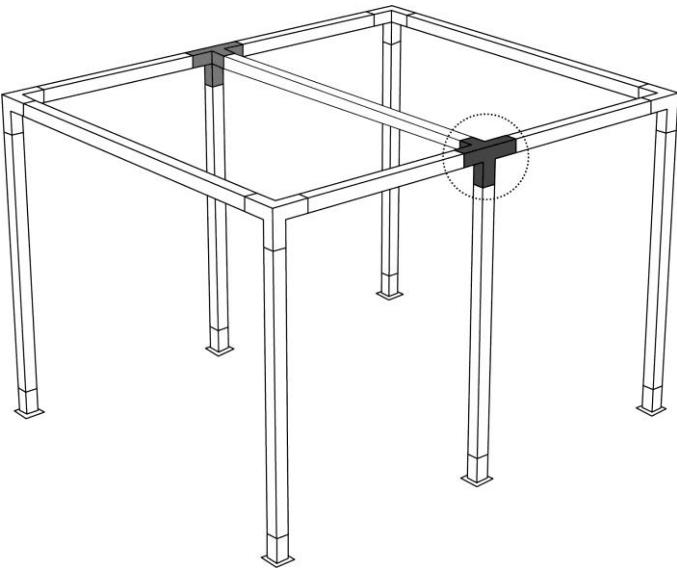




SPECIFICATIONS

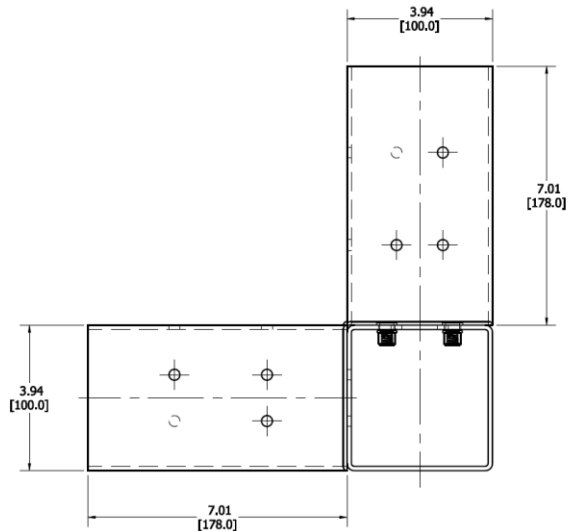
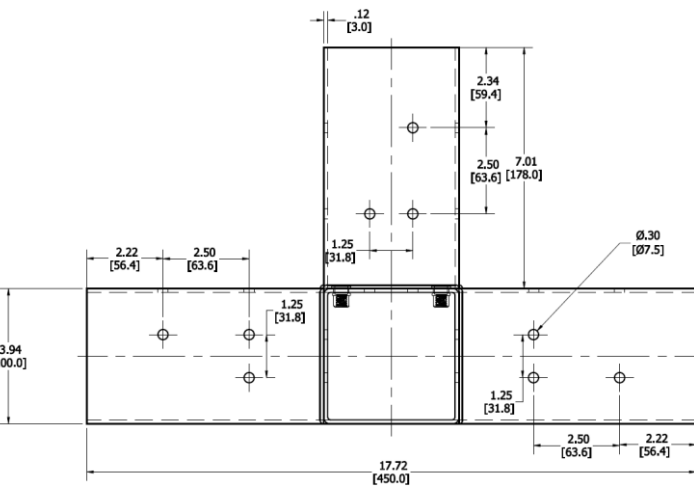
- Box LxWxH - 12" x 12" x 12"
- Box Weight – 15.9 Lbs
- SKU - 3051879
- UPC - 097523051879
- Full Pallet - 36 pcs
- Opening Order Pallet - 24 pcs
- Tube - 3.9" x 3.9" x 3.0mm
- Fastener - ¼" x 1.5" lag screw

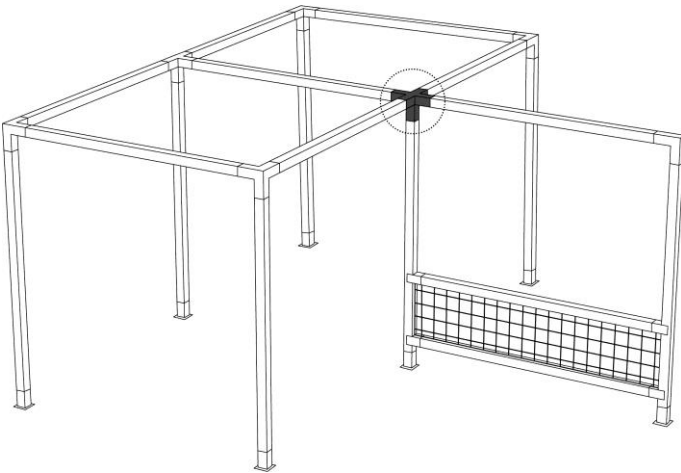




SPECIFICATIONS

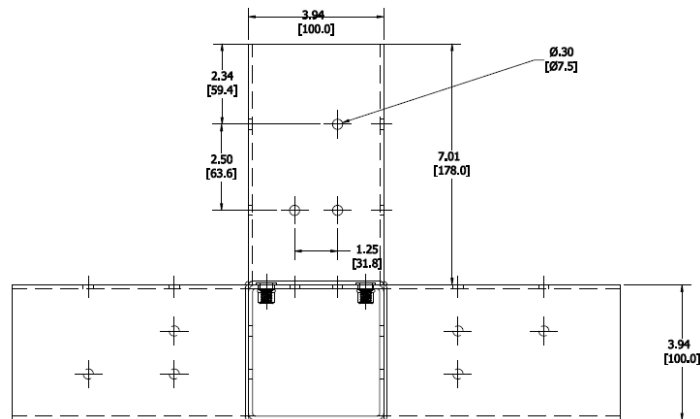
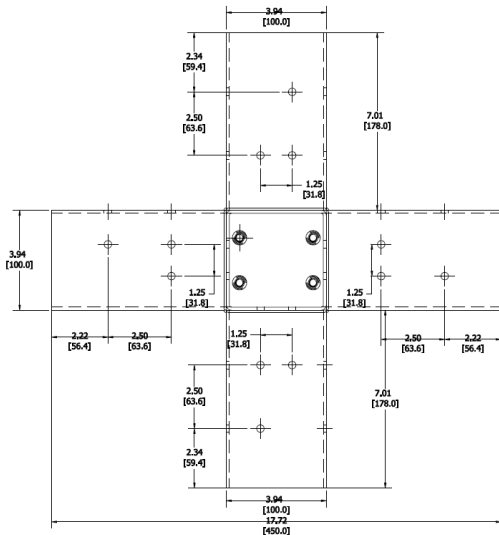
- Box LxWxH – 18.7” x 12” x 12”
- Box Weight – 19.8 Lbs
- SKU - 3051886
- UPC - 097523051886
- Full Pallet - 24 pcs
- Opening Order Pallet - 4 pcs
- Tube - 3.9” x 3.9” x 3.0mm
- Fastener - ¼” x 1.5” lag screw





SPECIFICATIONS

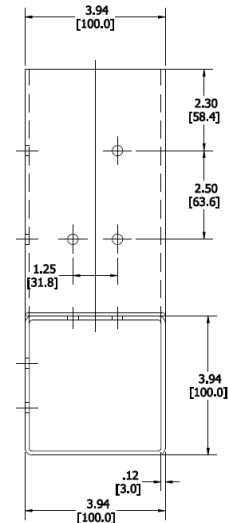
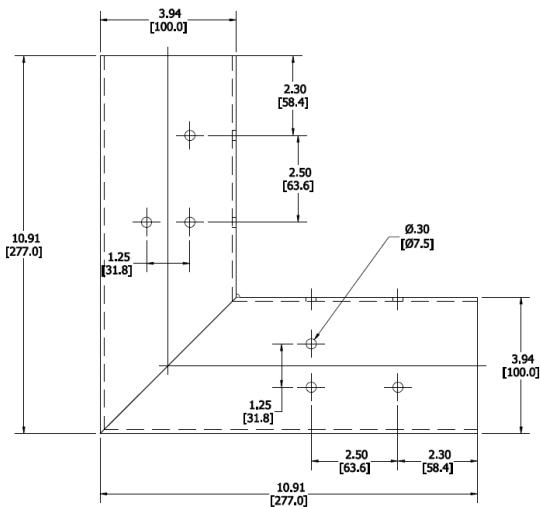
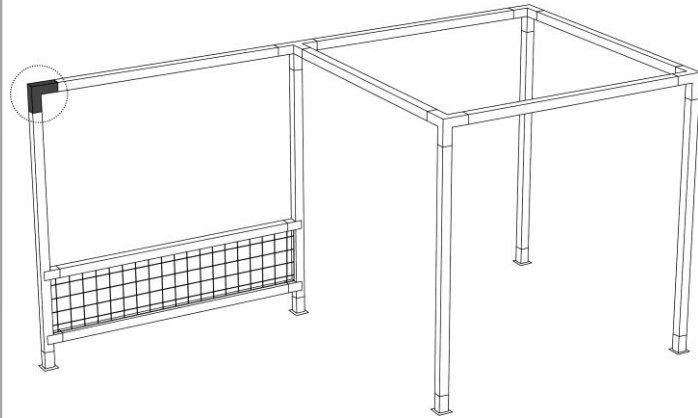
- Box LxWxH – 19” x 19” x 12”
- Box Weight – 23.8 Lbs
- SKU - 3051893
- UPC - 097523051893
- Full Pallet - 12 pcs
- Opening Order Pallet - 2 pcs
- Tube - 3.9” x 3.9” x 3.0mm
- Fastener - ¼” x 1.5” lag screw

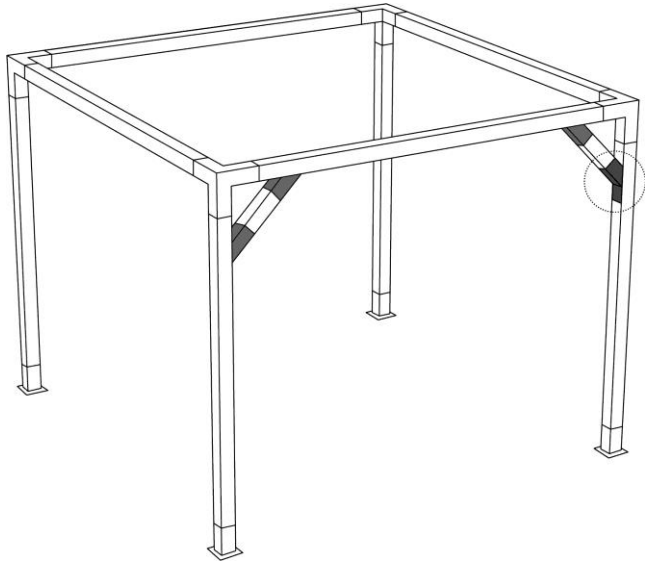




SPECIFICATIONS

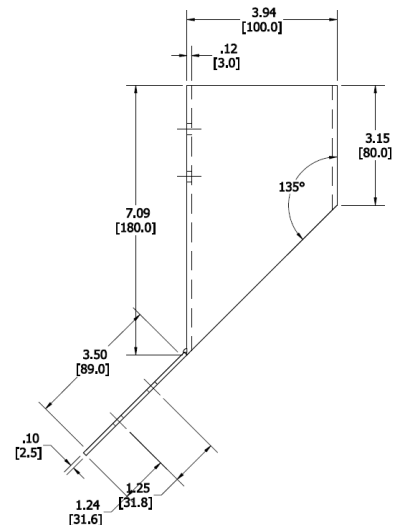
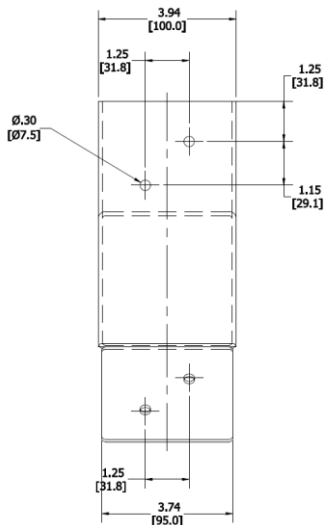
- Box LxWxH – 12” x 5” x 12”
- Box Weight – 10.1 Lbs
- SKU - 3052074
- UPC - 097523052074
- Full Pallet - 108 pcs
- Opening Order Pallet - 4 pcs
- Tube - 3.9” x 3.9” x 3.0mm
- Fastener - ¼” x 1.5” lag screw

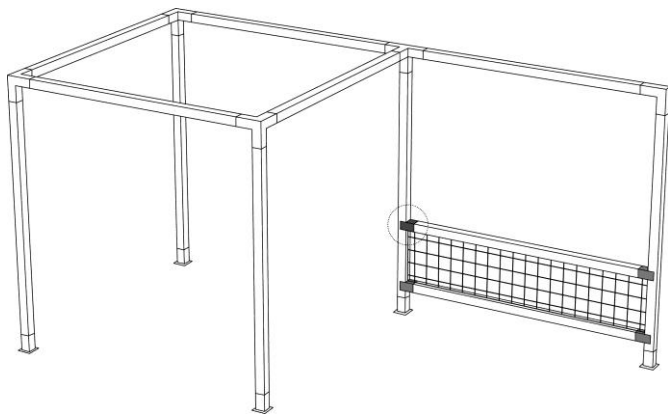




SPECIFICATIONS – 2 Pack Box

- Box LxWxH – 12” x 6” x 4.5”
- Box Weight – 7.9 Lbs
- SKU – 3051909
- UPC - 097523051909
- Full Pallet - 168 boxes
- Opening Order Pallet - 8 boxes
- Tube - 3.9” x 3.9” x 3.0mm
- Fastener - ¼” x 1.5” lag screw





SPECIFICATIONS – 2 Pack Box

- Box LxWxH – 8.5” x 5” x 5”
- Box Weight – 7.3 Lbs
- SKU – 3051916
- UPC - 097523051916
- Full Pallet - 328 boxes
- Opening Order Pallet - 8 boxes
- Tube - 3.9” x 3.9” x 3.0mm
- Fastener - ¼” x 1.5” lag screw

