



Trex Railing / Outdoor Lighting Technical Guide

Revision 06.12.2017

Introducing the Trex® Railing Lineup

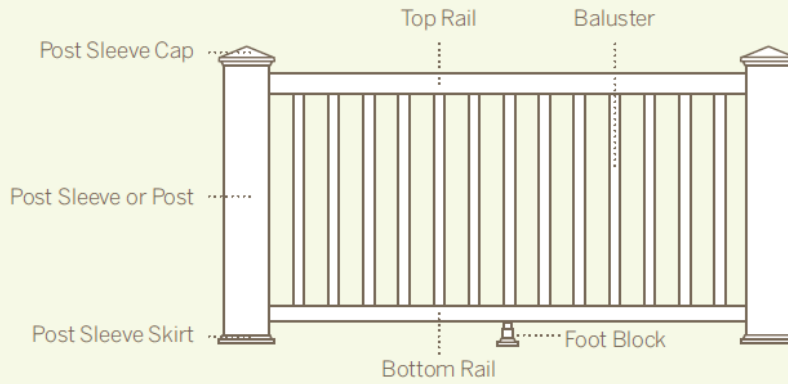
Compare design options, performance and more



	BEST	BETTER	GOOD
	Trex Transcend® RAILING	Trex Reveal™ ALUMINUM RAILING	Trex Select® RAILING
Material	High-performance composite with a fade-resistant shell	Aluminum	High-performance composite
Color choices	7	3	1
Top and bottom rail styles	3	1	1
Baluster options	3 plus glass panels	2	1
Hidden bracket system	✓		
25-Year Limited Residential Warranty*	✓	✓	✓
Coordinates with Trex® DeckLighting™	✓	✓ if used with Trex post sleeves	✓
Easy soap & water cleaning	✓	✓	✓
Compatible with all Trex decking lines	✓	✓	✓

Railing—a lot easier than it looks

Each section of Trex® railing is comprised of the pieces shown below. On the following pages, we designate these components with a numbered process (3-step or 5-step) for easy tracking as you plan.



TREX® POST COMPONENTS

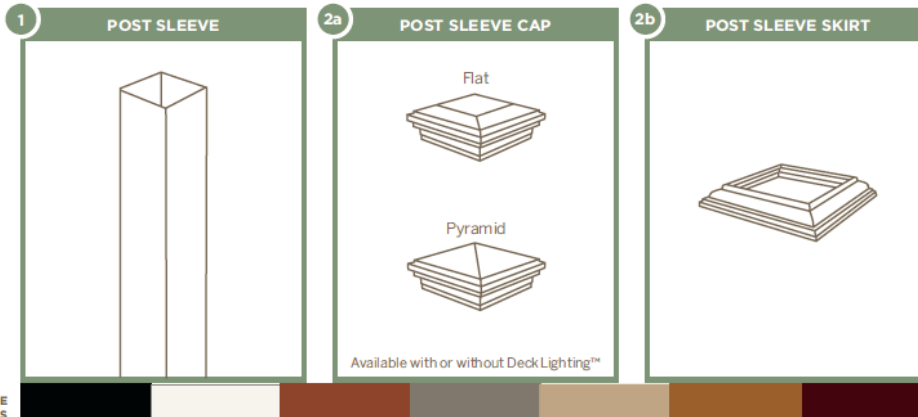
TRANSCEND® RAILING

REVEAL™ RAILING

TREX SELECT® RAILING

Trex Component Options

Trex post sleeves, post sleeve caps and post sleeve skirts are the starting points of our railing lines. They are available in the seven Transcend® railing colors.


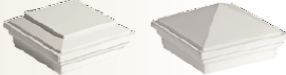





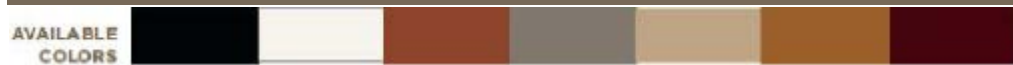
Components that can be shared across ALL Trex Railing Lines

Trex Post Sleeves, Caps & Skirts

● These components can be used as steps 1 & 2 for all Trex railing lines.

STEP	COMPONENT	DESCRIPTION	ITEM NUMBER
1	 <p>Each 4x4 and 6x6 post sleeve fits over a 4x4 pressure treated post or equivalent post mount.</p>	4" x 4" x 39" Post Sleeve <i>[4.45" x 4.45" x 40" (113 mm x 113 mm x 1016 mm) external dimensions]</i>	XX040439APS
		4" x 4" x 108" Post Sleeve <i>[4.45" x 4.45" x 108" (113 mm x 113 mm x 2743 mm) external dimensions]</i>	XX0404108APS
		6" x 6" x 39" Post Sleeve <i>[5.5" x 5.5" x 39" (140 mm x 140 mm x 991 mm) external dimensions]</i>	WT060639APS
		6" x 6" x 108" Post Sleeve <i>[5.5" x 5.5" x 108" (140 mm x 140 mm x 2743 mm) external dimensions]</i>	WT0606108APS
2a	 <p>Also available with LED lighting. See page 39.</p>	Flat 4" x 4" Post Sleeve Cap (12/box) Pyramid 4" x 4" Post Sleeve Cap (12/box) <i>[4.55" x 4.55" (114 mm x 114 mm) internal dimensions]</i>	XXSQCAP4X4 XXPYCAP4X4
		Flat 6" x 6" Post Sleeve Cap (12/box) Pyramid 6" x 6" Post Sleeve Cap (12/box) <i>[5.6" x 5.6" (141 mm x 141 mm) internal dimensions]</i>	WTSQCAP6X6 WTPYCAP6X6
2b		4" x 4" Post Sleeve Skirt (12/box) <i>[4.55" x 4.55" (114 mm x 114 mm) internal dimensions]</i> 6" x 6" Post Sleeve Skirt (12/box) <i>[5.6" x 5.6" (141 mm x 141 mm) internal dimensions]</i>	XXSKIRT4X4 WTSKIRT6X6
ACCESSORY	Post Mount	Post Surface Mount for 36" (914 mm) Rail Height (1/box) Post Surface Mount for 42" (1067 mm) Rail Height (1/box) Post Surface Mount Hardware—Concrete (10 kits/box) Post Surface Mount Hardware—Wood (10 kits/box)	POSTMOUNT36 POSTMOUNT42 POSTHDWCONC POSTHDWOOD
ACCESSORY	Foot Block	Adjustable Foot Blocks (50/box)—White Adjustable Foot Blocks (50/box)—Colored	RWFTBLK XXFTBLK

XX = COLOR PREFIX:	WT Classic White BK Charcoal Black	FP Fire Pit GP Gravel Path	RS Rope Swing TH Tree House	VL Vintage Lantern
--------------------	---------------------------------------	-------------------------------	--------------------------------	--------------------





ALUMINUM ADA HANDRAIL



- 1 1 3/8" x 8' Hand Rail
- 2 Post Return
- 3 Collar

- 4 Wall Mount
- 5 36 Degree Elbow
- 6 90 Degree Wall Return

Charcoal Black

Bronze

Classic White



ALUMINUM ADA HANDRAIL

XXALADARAIL8

Description: 1-3/8" X 8' Hand Rail



Bill of Materials

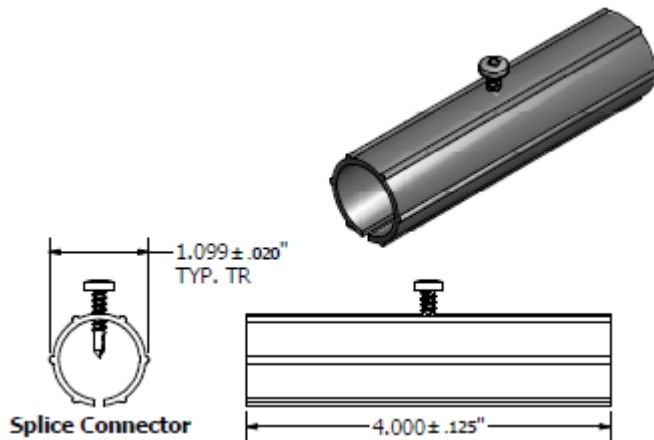
Qty (1) 96" 1-3/8" Aluminum ADA Handrail



ALUMINUM ADA HANDRAIL

XXALINTCONN

Description: Internal Connector



Bill of Materials

Qty (1) Internal Connector

Qty (1) Spacer Screw (keeps equal amount of 1-3/8" rail on each side)

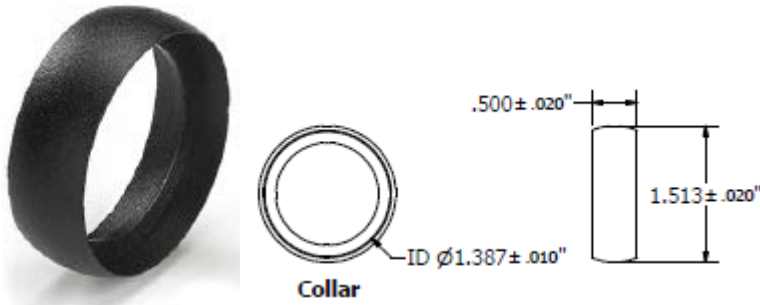
Qty (1) Collar



ALUMINUM ADA HANDRAIL

XXALADACL

Description: Collar



Bill of Materials

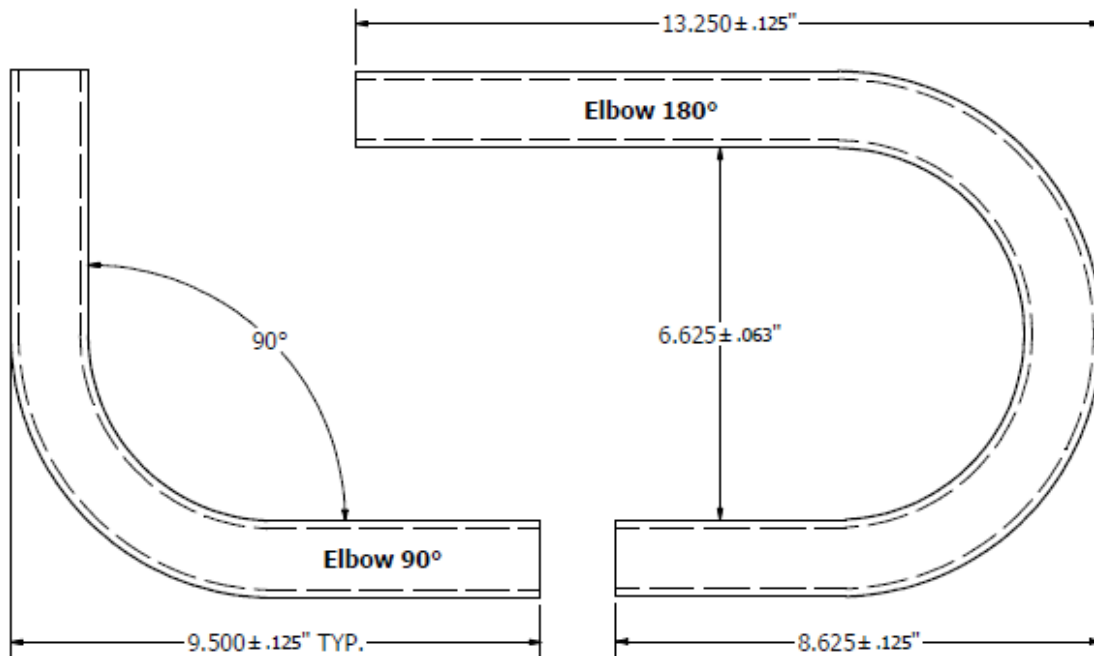
Qty (1) Aluminum Collar



ALUMINUM ADA HANDRAIL

XXALADACCANE

Description: 1-3/8" 180° Post Return ("Candy Cane")



Bill of Materials

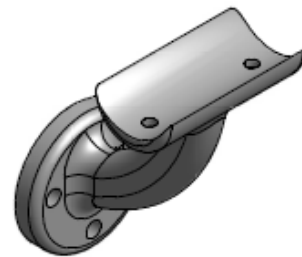
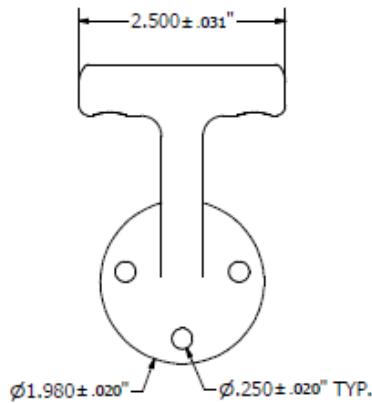
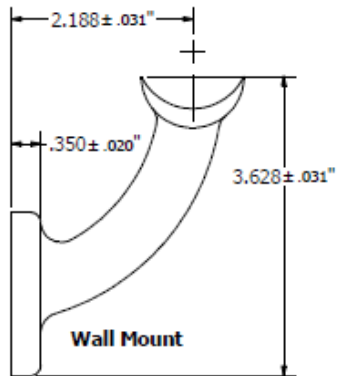
Qty (1) 1-3/8" 180° Post Return



ALUMINUM ADA HANDRAIL

XXALADAWMNT

Description: Wall Mount



Bill of Materials

Qty (1) Wall Mount

Qty (5) Aluminum Screws

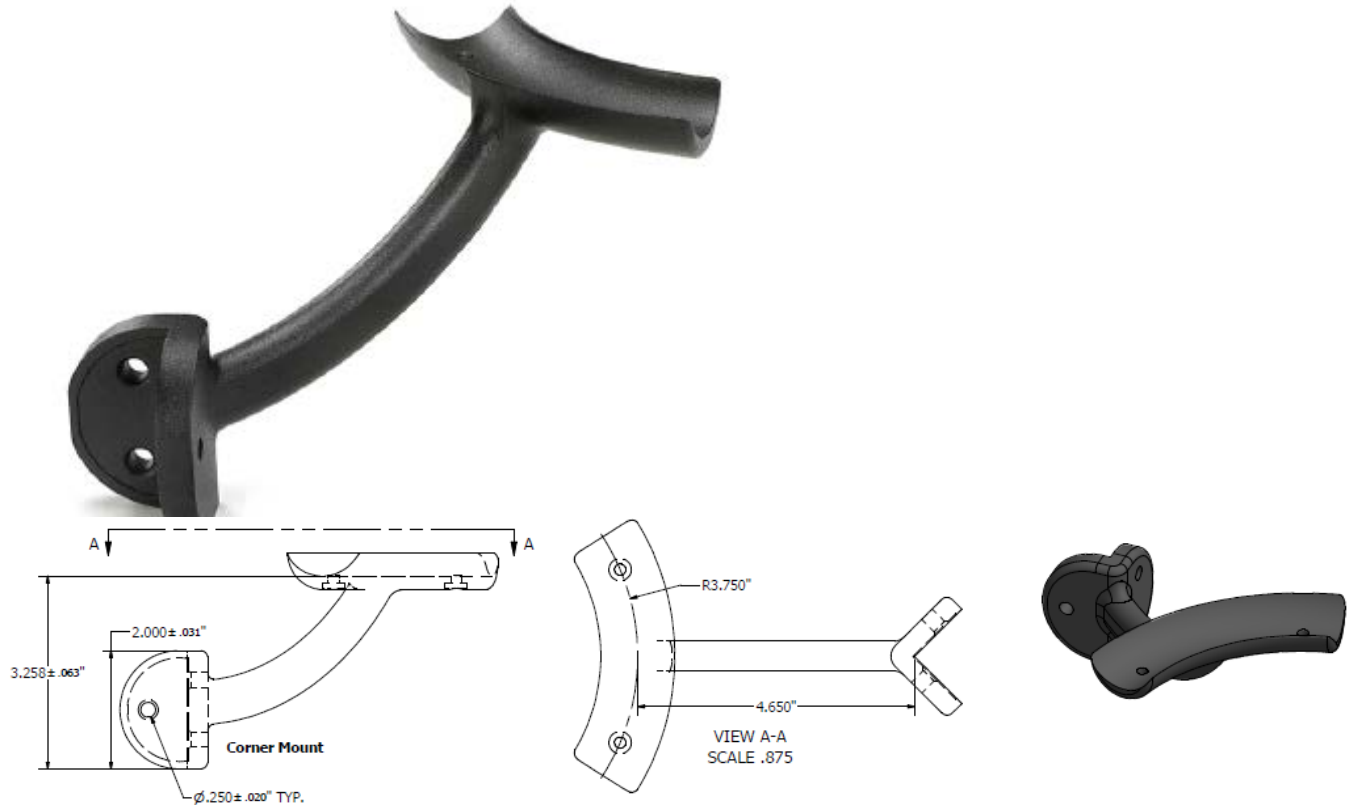
Qty (3) Wood Screws



ALUMINUM ADA HANDRAIL

XXALADAICORNER

Description: Inside Corner Mount



Bill of Materials

Qty (1) Inside Corner Mount

Qty (5) Aluminum Screws

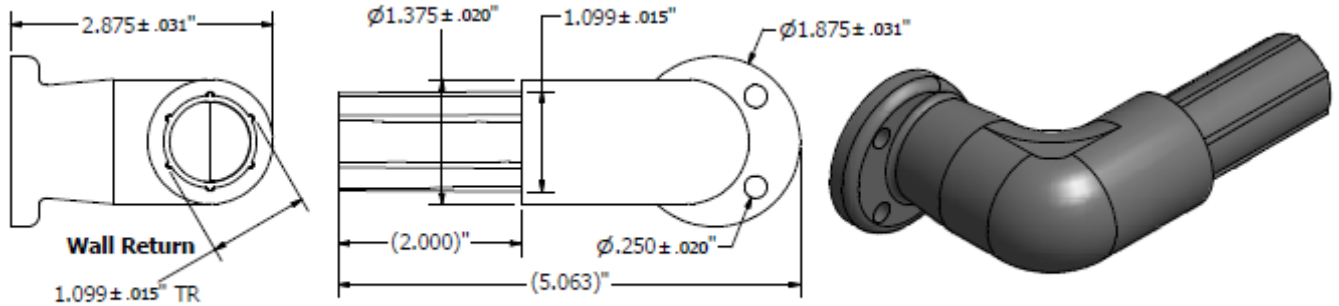
Qty (3) Wood Screws



ALUMINUM ADA HANDRAIL

XXALADA90WR

Description: 90° Wall Return



Bill of Materials

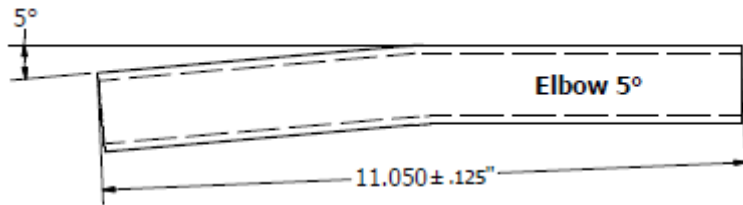
- Qty (1) Inside Corner Mount
- Qty (2) Aluminum Screws
- Qty (1) Aluminum collar



ALUMINUM ADA HANDRAIL

XXALADA05ELB

Description: 05° Elbow



Bill of Materials

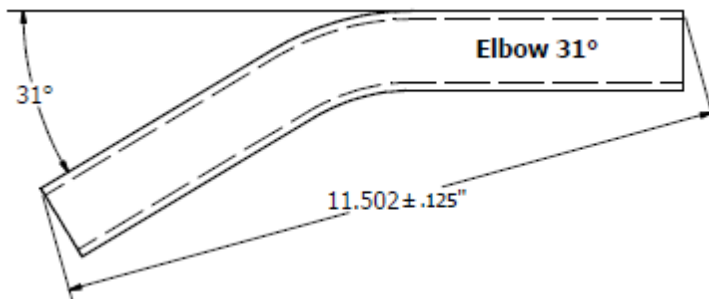
Qty (1) 05° Elbow



ALUMINUM ADA HANDRAIL

XXALADA31ELB

Description: 31° Elbow



Bill of Materials

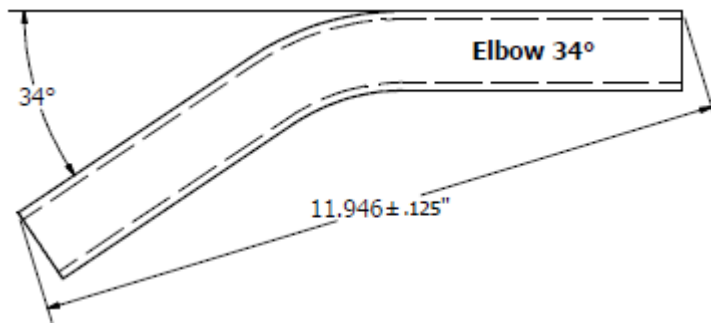
Qty (1) 31° Elbow



ALUMINUM ADA HANDRAIL

XXALADA34ELB

Description: 34° Elbow



Bill of Materials

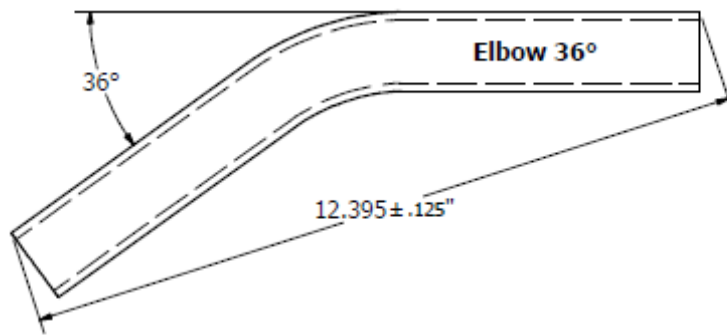
Qty (1) 34° Elbow



ALUMINUM ADA HANDRAIL

XXALADA36ELB

Description: 36° Elbow



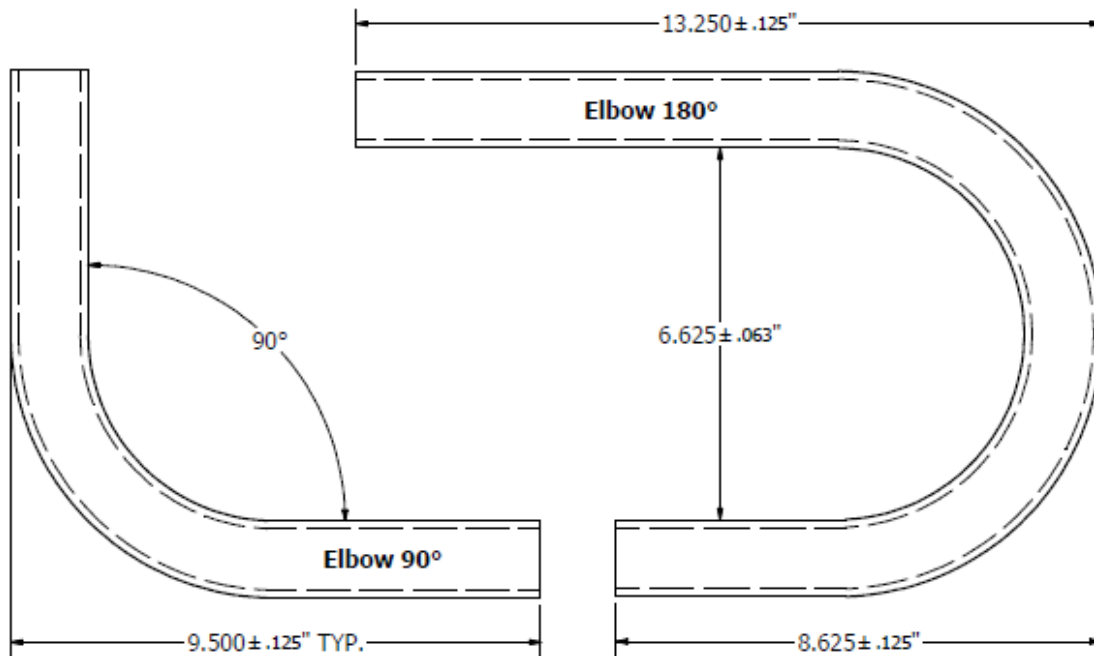
Bill of Materials
Qty (1) 36° Elbow



ALUMINUM ADA HANDRAIL

XXALADA90ELB

Description: 90° Elbow



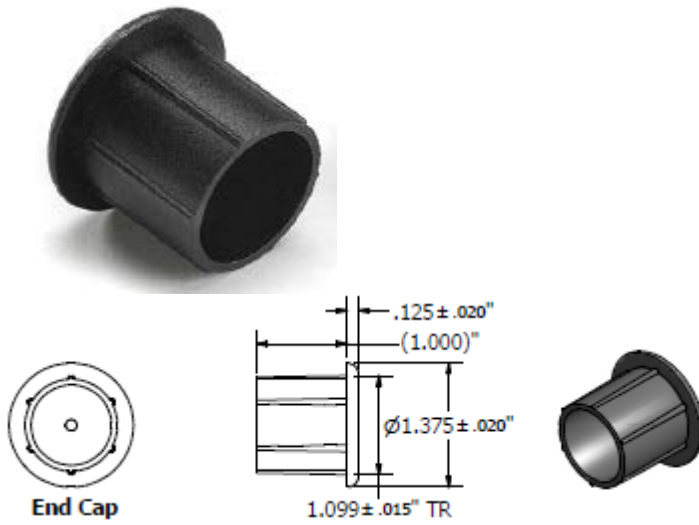
Bill of Materials
Qty (1) 90° Elbow



ALUMINUM ADA HANDRAIL

XXALADACAP

Description: 1-3/8" End Cap



Bill of Materials

Qty (1) 1-3/8" End Cap

Trex[®] Accessories

Trex Part #: ROUTBIT

Description: Trex Router Bit (creates hidden fastener groove on square-edged boards)



Bill of Materials

Qty (6) Trex Router Bits

Trex® Fasteners

Trex Part #: CONNECTCLIP
(16 boxes – 50 Sq. Ft each) (1440 clips)

Trex Part #: CLIPPAIL
(500 Sq. Ft Bucket) (900 clips)

Description: Trex Stainless Hidden Fasteners



Bill of Materials

Qty (Various) Trex Stainless Hidden Fasteners

Trex® Fasteners

Trex Part #: UNIVCONCLIP
(16 boxes – 50 Sq. Ft each) (1440 clips)

Trex Part #: DA00002
(500 Sq. Ft Bucket) (900 clips)

Trex Part #: ELVUNIVCLIP*
(16 boxes – 50 Sq. Ft each) (1440 clips)
**Designed for use with Elevations*

Description: Trex Universal Hidden Fasteners



Bill of Materials

Qty (Various) Trex Hidden Fasteners

Trex® Fasteners

Trex Part #: UNIVSTARTCLIP
400 Sq. Ft Bags (360 clips)

Trex Part #: ELVSTARTCLIP
400 Sq. Ft Bags (360 clips)

Description: Trex Stainless Start Clips

Wood Framing Version



Elevations Version



Bill of Materials

Qty (Various) Trex Stainless Start Clips

Trex[®] GATES

Trex Part #: XX36SQADJGATE (36" Square)

Trex Part #: XX36RDADJGATE (36" Round)

Trex Part #: XX42SQADJGATE (42" Square)

Trex Part #: XX42SQADJGATE (42" Round)

Description: Trex Aluminum (Width-Adjustable) Gate



Bill of Materials

Qty (1) Welded Gate Panel

Qty (2) Pre-punched 2" Gate Posts

Qty (2) 2" Gate Post Caps

Qty (16) Aluminum Screws

Gate hardware NOT included

Trex[®] GATES

Trex Part #: BKGATEHW

Description: Trex Gate Hardware



Bill of Materials

Qty (2) Glass Filled Nylon Hinges (stainless internals)

Qty (1) Locking latch with keys

Qty (18) Aluminum Screws

Qty (10) Wood Screws

Screws pictured above are for illustration purposes only, actual product may vary



SURFACE MOUNT POSTS

Trex Part #: ALPOSTMOUNT36

Trex Part #: ALPOSTMOUNT42

Description: Trex Aluminum Surface Mount Posts



Bill of Materials

Qty (2) Aluminum inserts with set screws

Qty (1) 2.5" IRC-compliant aluminum post with base



SURFACE MOUNT POSTS

Trex Part #: ALPOSTHWDECK

Description: Surface Mount Post Attachment Hardware for Wood Substructure

Purpose: Surface Mount Hardware necessary to achieve compliant post attachment



Bill of Materials

Qty (1) Aluminum Backer Plate

Qty (4) HG Carriage Bolts

Qty (4) HG Washers & Nuts



SURFACE MOUNT POSTS

Trex Part #: ALPOSTHWCONC

Description: Surface Mount Post Attachment Hardware for Concrete

Purpose: Surface Mount Hardware necessary to achieve IRC compliant post attachment



Bill of Materials

Qty (4) 304SS Wedge Anchors

Qty (4) 304SS Nuts

Qty (4) 304SS Washers



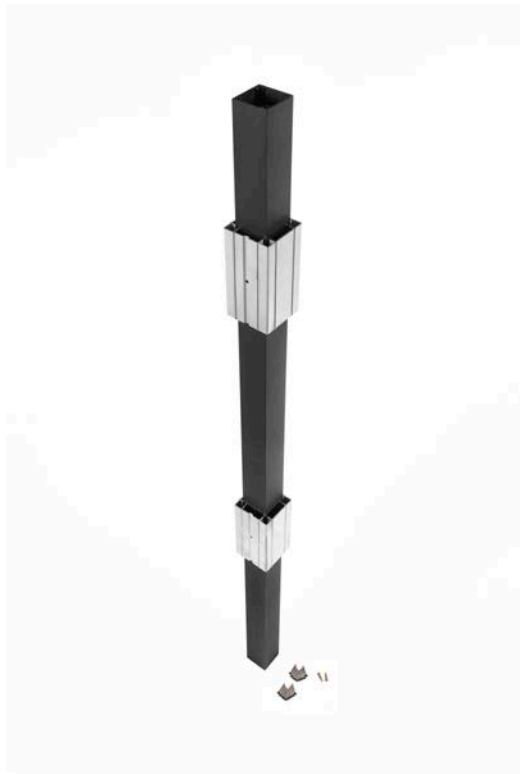
JOIST MOUNT POSTS

(for use with composite sleeve)

CPJMNTPOST63

Description: Trex 63" Aluminum Joist Mount Post

Purpose: Eliminates wood 4X4 in Elevations and wood substructures



Bill of Materials

- Qty (1) 63" Aluminum post (*cut-to-length*)
- Qty (2) Aluminum inserts with set screws
- Qty (2) 1/2" HG Bolts, washers and nuts (*not pictured*)
- Qty (1) Bolt spacing template
- Qty (16) Aluminum screws



Trex Part #: WTRD0636HSELK / WTRD0836HSELK
WTRD0642HSELK / WTRD0842HSELK

Description: 6ft / 8ft x 36" Rail Kit with Round Balusters - Horizontal
6ft / 8ft x 42" Rail Kit with Round Balusters - Horizontal



Bill of Materials

- Qty (1) Horizontal Top Rail
- Qty (1) Horizontal Bottom Rail
- Qty (14) 0.75" Round Balusters (**for 6ft Kit**)
- Qty (20) 0.75" Round Balusters (**for 8ft Kit**)
- Qty (4) Horizontal Brackets
- Qty (8) Bracket to Post fasteners
- Qty (12) Bracket to Rail fasteners
- Qty (1) Adjustable "2017 Relaunch" Footblock



**Trex Part #: WTRD0636SSELK / WTRD0836SSELK
WTRD0842SSELK**

Description: 6ft / 8ft x 36" Rail Kit with Round Balusters - Stair
8ft x 42" Rail Kit with Round Balusters - Stair



Bill of Materials

- Qty (1) Stair Top Rail
- Qty (1) Stair Bottom Rail
- Qty (12) 0.75" Round Balusters (**for 6ft Kit**)
- Qty (17) 0.75" Round Balusters (**for 8ft Kit**)
- Qty (4) Horizontal Brackets w/stair adapters
- Qty (8) Bracket to Post fasteners
- Qty (12) Bracket to Rail fasteners
- Qty (1) Adjustable "2017 Relaunch" Footblock



Trex Part #: PBKENHZBKT

Description: Select Mounting Hardware (HZ)



Bill of Materials

- Qty (8) Bracket to Post fasteners
- Qty (12) Bracket to Rail fasteners
- Qty (4) Railing Brackets



Trex Part #: PBKENSTBKT

Description: Select Mounting Hardware (Stair)



Bill of Materials

- Qty (8) Bracket to Post fasteners
- Qty (12) Bracket to Rail fasteners
- Qty (4) Railing Brackets
- Qty (4) Railing Bracket Stair Adapters



Trex Part #: WT0636HSELK / WT0836HSELK

Description: 6ft / 8ft x 36" Rail Kit with Square Balusters - Horizontal



Bill of Materials

- Qty (1) Horizontal Top Rail
- Qty (1) Horizontal Bottom Rail
- Qty (13) 1.125" Square Balusters (**for 6ft Kit**)
- Qty (18) 1.125" Square Balusters (**for 8ft Kit**)
- Qty (4) Horizontal Brackets
- Qty (4) Horizontal Bracket Cover sets
- Qty (16) Bracket to Post fasteners
- Qty (16) Bracket to Rail fasteners
- Qty (1) Adjustable Footblock



Trex Part #: WT0636SSELK / WT0836SSELK

Description: 6ft / 8ft x 36" Rail Kit with Square Balusters - Stair



Bill of Materials

- Qty (1) Stair Top Rail
- Qty (1) Stair Bottom Rail
- Qty (11) 1.125" Square Balusters (**for 6ft Kit**)
- Qty (15) 1.125" Square Balusters (**for 8ft Kit**)
- Qty (2) Stair Top Rail Brackets
- Qty (2) Stair Bottom Rail Brackets
- Qty (2) Stair Top Rail Bracket Cover sets
- Qty (2) Stair Bottom Rail Bracket Cover sets
- Qty (16) Bracket to Post fasteners
- Qty (16) Bracket to Rail fasteners
- Qty (1) Adjustable Footblock



Trex Part #: WTHSELCUT

Description: Mounting Hardware for Cut Rails- Horizontal

UOM: Bag of 1

Purpose: Supplementary brackets for cut rail sections.



Bill of Materials

- Qty (4) Horizontal Brackets
- Qty (4) Horizontal Bracket Cover sets
- Qty (16) Bracket to Post fasteners
- Qty (16) Bracket to Rail fasteners



Trex Part #: WTSSELCUT

Description: Mounting Hardware for Cut Rails- Stair

UOM: Bag of 1

Purpose: Supplementary brackets for cut rail sections.



Bill of Materials

- Qty (2) Stair Top Rail Brackets
- Qty (2) Stair Bottom Rail Brackets
- Qty (2) Stair Top Rail Bracket Cover sets
- Qty (2) Stair Bottom Rail Bracket Cover sets
- Qty (16) Bracket to Post fasteners
- Qty (16) Bracket to Rail fasteners

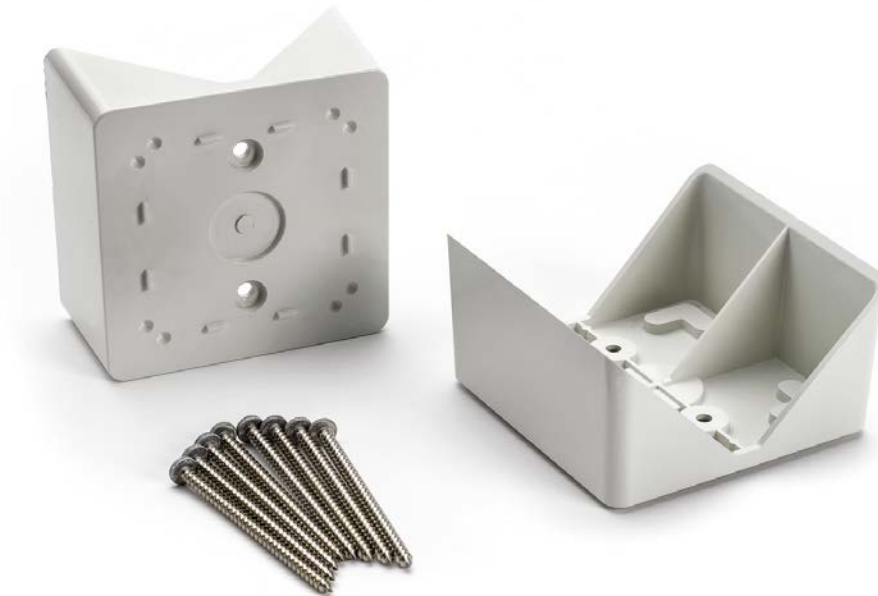


Trex Part #: WTSEL45ADP

Description: 45 Degree Bracket Adapter – Horizontal Only

UOM: Bag of 1

Purpose: Adapter for angled horizontal applications.



Bill of Materials

Qty (2) 45 Degree Adapters

Qty (8) Bracket to Post fasteners

Trex[®]Signature

ALUMINUM RAILING

Trex Part #: xxAL252537RCAP / xxAL252543RCAP / xxAL252553RCAP

Description: 2.5" x 2.5" x 37"/ 43"/ 53" Aluminum Post with Cap and Skirt

Purpose: IRC Compliant Post for residential applications of 3 stories or less.



Bill of Materials

Qty (1) 2.5" x 2.5" Aluminum Surface Mount Post

Qty (1) Post Cap

Qty (1) 2pc Post Skirt

Qty (2) Post shims

TrexSignature®

ALUMINUM RAILING

Trex Part #: xxAL252537RCAP / xxAL252543RCAP

Description: 2.5" x 2.5" x 37"/ 43" Aluminum Crossover Post with Skirt

Purpose: IRC Compliant Crossover Post for residential applications



Bill of Materials

Qty (1) 2.5" x 2.5" Aluminum Surface Mount Crossover Post

Qty (1) Pre-mounted Horizontal Bracket

Qty (1) 2pc Post Skirt

Qty (2) Post shims

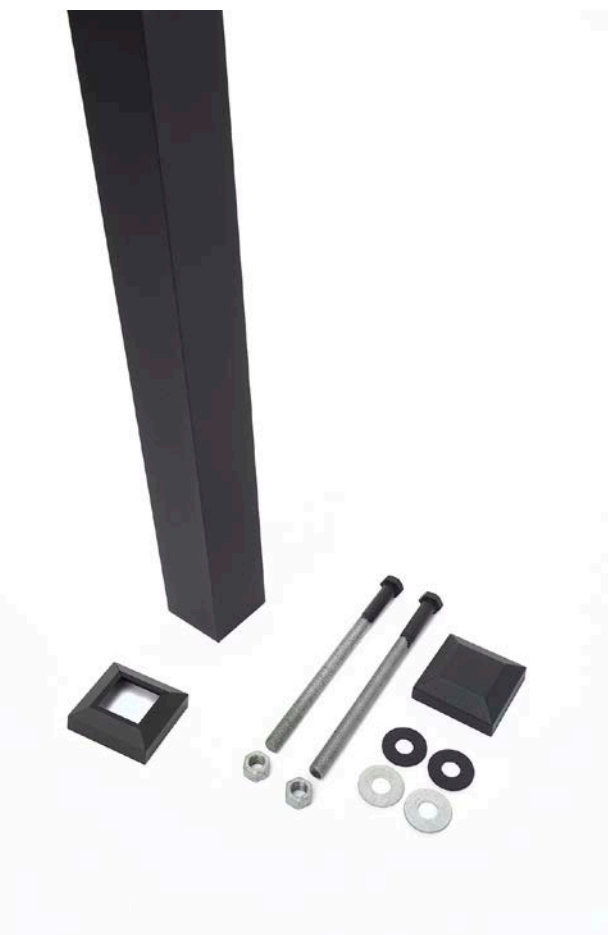
Trex[®]Signature[®]

ALUMINUM RAILING

Trex Part #: XXJMNTPOST63 (XX = BK, WT, BZ)

Description: Joist Mount Post for Elevations and wood substructure

Purpose: Eliminates wood 4X4 in Elevations and wood substructures, allows for mounting both inside deck frame and outside (fascia mount)



Bill of Materials

- Qty (1) 63" Aluminum post (*cut-to-length*)
- Qty (1) Aluminum Post Cap
- Qty (1) Aluminum Post Skirt
- Qty (2) HG 1/2" bolts, washers (coated)
- Qty (2) HG 1/2" Washers & nuts (uncoated)
- Qty (1) Bolt spacing template

Trex[®]Signature

ALUMINUM RAILING

Trex Part #: CPJMNTPOST63

Description: Fascia Mount Post – For Composite Sleeves

Purpose: Joist Mount Post designed to be used with a Trex Composite Sleeve. Not intended for fascia mount applications.



Bill of Materials

- Qty (1) 63" Joist Mount Post
- Qty (16) Aluminum screws
- Qty (2) Aluminum Spacers
- Qty (2) Aluminum Spacer Set Screws

TrexSignature®

ALUMINUM RAILING

Trex Part #: XXFMNTWOOD (XX = BK, WT, BZ)

Description: Fascia Mount Bracket – Wood

Purpose: Required for the mounting of the Joist Mount Post, for fascia mount applications only (post mounted to the outside of the deck frame).

Suitable for wood applications utilizing minimum of 2x8 framing.



Bill of Materials

Qty (1) Fascia Mount Bracket - Wood

TrexSignature®

ALUMINUM RAILING

Trex Part #: XXFMNTELEV (XX = BK, WT, BZ)

Description: Fascia Mount Bracket – Elevations

Purpose: Required for the mounting of the Joist Mount Post, for fascia mount applications only (post mounted to the outside of the deck frame).

Suitable for all Elevations® applications and all wood applications utilizing minimum of 2x10 framing.



Bill of Materials

Qty (1) Fascia Mount Bracket

Trex[®]Signature[®]

ALUMINUM RAILING

Trex Part #: BKAS0636HRPNL, BKAS0642HRPNL, BKAS0836HRPNL, BKAS0842HRPNL

Description: HZ Reveal Panel (6x36", 6x42", 8x36", 8x42")

Purpose: Time saver for installers (note: Hardware BKFHBKFTAL must be ordered separately – 1 per panel)



Bill of Materials

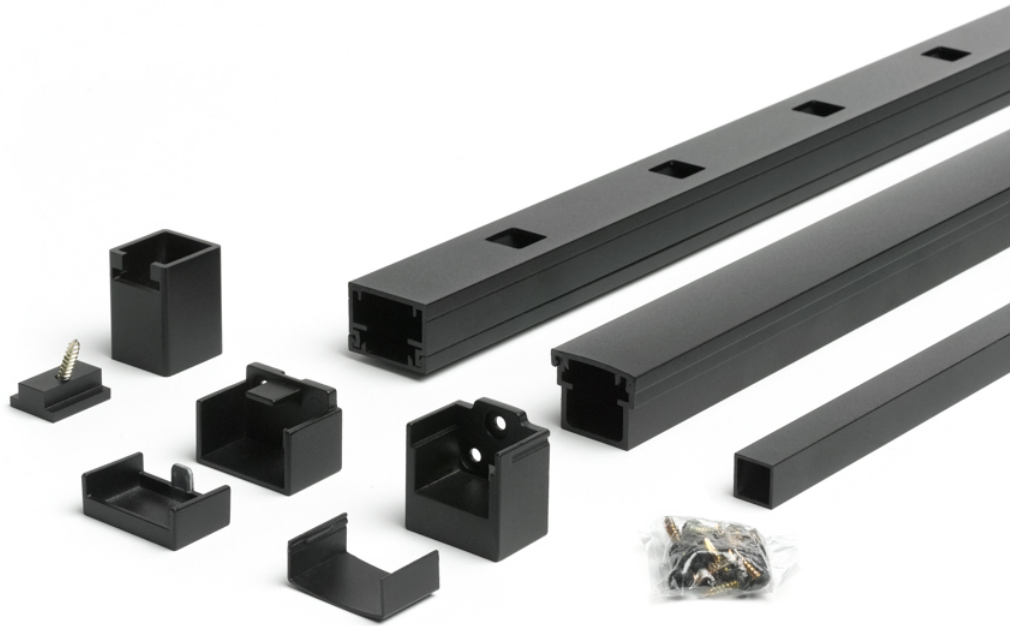
Qty (1) Reveal Panel (*sold in pallets of 20 only*)

Trex[®]Signature

ALUMINUM RAILING

Trex Part #: xxAS0636HRK / xxAS0836HRK / xxAR0636HRK / xxAR0836HRK
xxAS0642HRK / xxAS0842HRK / xxAR0642HRK / xxAR0842HRK

Description: 6ft / 8ft x 36"/ 42" Rail Kit with Square / Round Balusters - Horizontal



Bill of Materials

Qty (1) Top Rail and Top Rail Cover

Qty (1) Bottom Rail and Bottom Rail Cover

Qty (1) Square / Round "Fixed" Baluster with Fasteners

Qty (15) 3/4" Square / Round Baluster (**6ft Kit**) including fixed baluster

Qty (20) 3/4" Square / Round Baluster (**8ft Kit**) including fixed baluster

Qty (2) Fixed Top Rail Bracket and Cover - Horizontal

Qty (2) Fixed Bottom Rail Bracket and Cover - Horizontal

Qty (1) Fastener Pack

(Screws for attachment to AL Posts & Screws for attachment to Composite Post)

Qty (1) Al Footblock (**8ft HZ Kit ONLY**)

Trex[®]Signature

ALUMINUM RAILING

Trex Part #: xxAS0636SRK / xxAS0836SRK / xxAR0636SRK / xxAR0836SRK
xxAS0642SRK / xxAS0842SRK / xxAR0642SRK / xxAR0842SRK

Description: 6ft / 8ft x 36" / 42" Rail Kit with Square / Round Balusters - Stair



Bill of Materials

Qty (1) Top Rail and Top Rail Cover

Qty (1) Bottom Rail and Bottom Rail Cover

Qty (13) 3/4" Square / Round Baluster (6ft Kit)

Qty (17) 3/4" Square / Round Baluster (8ft Kit)

Qty (1) Fixed Top Rail Bracket 1 and Cover- Stair

Qty (1) Fixed Top Rail Bracket 2 and Cover- Stair

Qty (1) Fixed Bottom Rail Bracket 1 and Cover - Stair

Qty (1) Fixed Bottom Rail Bracket 2 and Cover - Stair

Qty (1) Fastener Pack

(Screws for attachment to AL Posts & Screws for attachment to Composite Post)

Trex[®]Signature[®]

ALUMINUM RAILING

Trex Part #: XXFHBKTAL (XX = BK, WT, BZ)

Description: Fixed Bracket (4-Pack) – Horizontal (aka Cut Kit)

UOM: Bag of 1

Purpose: Supplementary brackets for cut rail sections.



Bill of Materials

Qty (2) Fixed Top Rail Bracket and Cover - Horizontal

Qty (2) Fixed Bottom Rail Bracket and Cover - Horizontal

Qty (1) Fastener Pack

(Screws for attachment to AL Posts & Screws for attachment to Composite Post)

Trex[®]Signature[®]

ALUMINUM RAILING

Trex Part #: XXFSBK TAL (XX = BK, WT, BZ)

Description: Fixed Bracket (4-Pack) – Stair (aka Cut Kit)

UOM: Bag of 1

Purpose: Supplementary brackets for cut rail sections.
* 32-37 degree installations



Bill of Materials

Qty (1) Fixed Top Rail Bracket 1 and Cover- Stair

Qty (1) Fixed Top Rail Bracket 2 and Cover- Stair

Qty (1) Fixed Bottom Rail Bracket 1 and Cover - Stair

Qty (1) Fixed Bottom Rail Bracket 2 and Cover - Stair

Qty (1) Fastener Pack

(Screws for attachment to AL Posts & Screws for attachment to Composite Post)

Trex[®]Signature[®]

ALUMINUM RAILING

Trex Part #: XX25RCSWSCBKAL (XX = BK, WT, BZ)

Description: 2.5" IRC Swivel Crossover Bracket Kit – Stair

UOM: Bag of 1

Purpose: To be used in combination with 2.5x2.5x53" Cut-to-Length Post (xxAL252553AP) for Crossover Stair applications.



Bill of Materials

Qty (1) Swivel Crossover Bracket – Stair

Qty (2) Post to Bracket Fasteners

Trex[®]Signature[®]

ALUMINUM RAILING

Trex Part #: XXSWHBKTAL (XX = BK, WT, BZ)

Description: Swivel Bracket– Horizontal

UOM: Bag of 1

Purpose: For angled horizontal applications, used in place of fixed horizontal brackets.



Bill of Materials

- Qty (1) Swivel Top Rail Bracket and Cover – Horizontal
- Qty (1) Swivel Bottom Rail Bracket and Cover – Horizontal
- Qty (2) Fastener Covers
- Qty (1) Fastener Pack
(Screws for attachment to AL Posts & Rails)

Trex[®]Signature[®]

ALUMINUM RAILING

Trex Part #: XXSWSBKAL (XX = BK, WT, BZ)

Description: Swivel Bracket– Stair

UOM: Bag of 1

Purpose: An alternative option for stair installations, used in place of fixed stair brackets.
* 32-37 degree installations



Bill of Materials

- Qty (1) Swivel Top Rail Bracket and Cover – Stair
- Qty (1) Swivel Bottom Rail Bracket and Cover – Stair
- Qty (2) Fastener Covers
- Qty (1) Fastener Pack
(Screws for attachment to AL Posts & Rails)

Trex[®]Signature[®]

ALUMINUM RAILING

Trex Part #: XXCPDSWBKTAL (XX = BK, WT, BZ)

Description: Compound Swivel Bracket - Stair

UOM: Bag of 1

Purpose: For flared stair installations, used in place of fixed stair brackets.



Bill of Materials

Qty (1) Compound Swivel Top Rail Bracket and Cover – Stair

Qty (1) Compound Swivel Bottom Rail Bracket and Cover – Stair

Qty (2) Fastener Covers

Qty (1) Fastener Pack

(Screws for attachment to AL Posts & Rails)

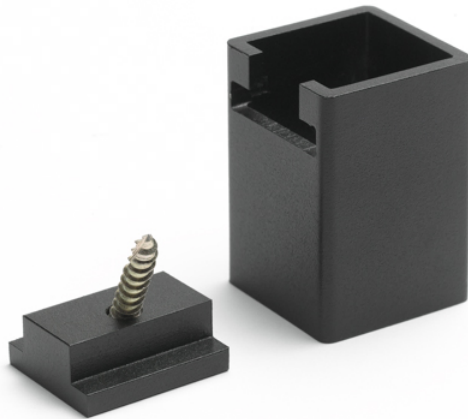
TrexSignature®

ALUMINUM RAILING

Trex Part #: XXALFTBLK (XX = BK, WT, BZ)

Description: Aluminum Footblock

UOM: Bag of 1



Bill of Materials

Qty (1) Footblock

Qty (1) Footblock Anchor and fastener

Trex[®]Signature[®]

ALUMINUM RAILING

Trex Part #: XXTOUCHUPPEN (XX = BK, WT, BZ)

Description: Signature Touch-up Pen

UOM: Bag of 1



Bill of Materials

Qty (1) Touch-up Pen

Trex[®]Signature[®]

ALUMINUM RAILING

Trex Part #: XXCTBKTAL10PK (XX = BK, WT, BZ)

Description: Signature Cocktail Bracket 10-Pack
Use 1 bracket approximately every 2' and as close to each post as possible.

UOM: Box of 10



Bill of Materials

Qty (10) Cocktail Brackets

Qty (40) Color-matched screws

TrexSignature®

ALUMINUM RAILING

Trex Part #: SIGCOMPOSITETEMP

Description: Signature Bracket Template
Horizontal Only – Composite Sleeves Only

UOM: Box of 1



Bill of Materials

Qty (1) Signature Template

TrexSignature®

ALUMINUM RAILING

Trex Part #: SIG25ALPOSTTEMP

Description: Signature Bracket Template
Horizontal Only – 2.5” Aluminum Posts Only

UOM: Box of 1



Bill of Materials

Qty (1) Signature Template

Trex Transcend®

RAILING

Trex Part #: xxSQHIK06 / xxSQHIK08 (xx = WT, BK, VL, GP, RS, FP, TH)

Description: Accessory Infill Kit for 1.4" Square Balusters (6ft & 8ft) - Horizontal

Purpose: Component hardware to construct 1.4" Square baluster infill design- Horizontal



Bill of Materials

Qty (2) 67.5" or 91.5" Baluster Spacers for 1.4" Square Balusters - Horizontal

Qty (1) Adjustable Footblock

Qty (2) Crown Top Rail Gaskets- Horizontal

Qty (4) Universal Top/Bottom Rail Gaskets- Horizontal

Qty (4) RSB Rail Brackets

Qty (8) Rail to Bracket Fasteners- Horizontal

Qty (8) Rail to Post Fasteners

Qty (4) Screw Tip Covers

Trex Transcend®

RAILING

Trex Part #: xxSQSIK06 / xxSQSIK08 (xx = WT, BK, VL, GP, RS, FP, TH)

Description: Accessory Infill Kit for 1.4" Square Balusters (6ft & 8ft) - Stair

Purpose: Component hardware to construct 1.4" Square baluster infill design-
Stair



Bill of Materials

Qty (2) 67.5" or 91.5" Baluster Spacers for 1.4" Square Balusters - Stair

Qty (1) Adjustable Footblock

Qty (1) Crown Top 1 Rail Gaskets- Stair

Qty (1) Crown Top 2 Rail Gaskets- Stair

Qty (2) Universal Top/Bottom 1 Rail Gaskets- Stair

Qty (2) Universal Top/Bottom 2 Rail Gaskets- Stair

Qty (8) RSB Rail Brackets

Qty (8) Rail to Bracket Fasteners - Stair

Qty (8) Rail to Post Fasteners

Qty (4) Screw Tip Covers

Trex Transcend®

RAILING

Trex Part #: xxRDHIK06 / xxRDHIK08 (xx = WT, BK, VL, GP, RS, FP, TH)

Description: Accessory Infill Kit for 3/4" Round AL Balusters (6ft & 8ft) - Horizontal

Purpose: Component hardware for 3/4" Round Aluminum Balusters –Horizontal Install



Bill of Materials

Qty (2) 67.5" or 91.5" Baluster Spacers for 3/4" Round AL Balusters - Horizontal

Qty (1) Adjustable Footblock

Qty (2) Crown Top Rail Gaskets- Horizontal

Qty (4) Universal Top/Bottom Rail Gaskets- Horizontal

Qty (4) RSB Rail Brackets

Qty (8) Rail to Bracket Fasteners- Horizontal

Qty (8) Rail to Post Fasteners

Qty (2) 64.75" or 88.75" Aluminum Baluster Adapter Strips

Qty (4) Screw Tip Covers

Trex Transcend®

RAILING

Trex Part #: xxRDSIK06 / xxRDSIK08 (xx = WT, BK, VL, GP, RS, FP, TH)

Description: Accessory Infill Kit for ¾" Round AL Balusters (6ft & 8ft) - Stair

Purpose: Component hardware for ¾" Round Aluminum Balusters –Stair Install



Bill of Materials

Qty (2) 67.5" or 91.5" Baluster Spacers for ¾" Round AL Balusters - Stair

Qty (1) Adjustable Footblock

Qty (1) Crown Top 1 Rail Gaskets- Stair

Qty (1) Crown Top 2 Rail Gaskets- Stair

Qty (2) Universal Top/Bottom 1 Rail Gaskets- Stair

Qty (2) Universal Top/Bottom 2 Rail Gaskets- Stair

Qty (8) RSB Rail Brackets

Qty (8) Rail to Bracket Fasteners - Stair

Qty (8) Rail to Post Fasteners

Qty (2) 64.75" or 88.75" Aluminum Baluster Adapter Strips

Qty (4) Screw Tip Covers

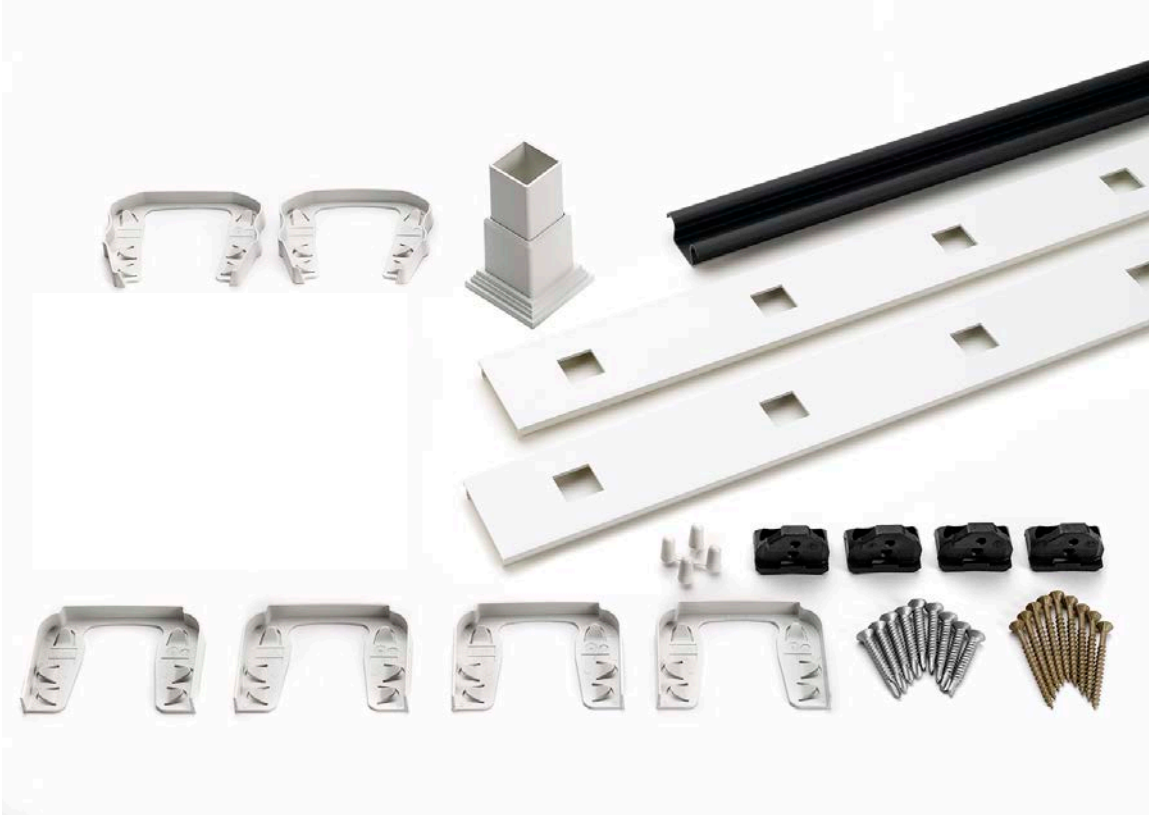
Trex Transcend®

RAILING

Trex Part #: xxASBHIK06 / xxASBHIK08 (xx = WT, BK, VL, GP, RS, FP, TH)

Description: Accessory Infill Kit for 3/4" Square AL Balusters (6ft & 8ft) - Horizontal

Purpose: Component hardware for 3/4" Square Aluminum Balusters –Horizontal Install



Bill of Materials

Qty (2) 67.5" or 91.5" Baluster Spacers for 3/4" Square AL Balusters - Horizontal

Qty (1) Adjustable Footblock

Qty (2) Crown Top Rail Gaskets- Horizontal

Qty (4) Universal Top/Bottom Rail Gaskets- Horizontal

Qty (4) RSB Rail Brackets

Qty (8) Rail to Bracket Fasteners- Horizontal

Qty (8) Rail to Post Fasteners

Qty (2) 64.75" or 88.75" Aluminum Baluster Adapter Strips

Qty (4) Screw Tip Covers

Trex Transcend®

RAILING

Trex Part #: xxASBSIK06 / xxASBSIK08 (xx = WT, BK, VL, GP, RS, FP, TH)

Description: Accessory Infill Kit for ¾" Square AL Balusters (6ft & 8ft) - Stair

Purpose: Component hardware for ¾" Square Aluminum Balusters –Stair Install



Bill of Materials

Qty (2) 67.5" or 91.5" Baluster Spacers for ¾" Square AL Balusters - Stair

Qty (1) Adjustable Footblock

Qty (1) Crown Top 1 Rail Gaskets- Stair

Qty (1) Crown Top 2 Rail Gaskets- Stair

Qty (2) Universal Top/Bottom 1 Rail Gaskets- Stair

Qty (2) Universal Top/Bottom 2 Rail Gaskets- Stair

Qty (8) RSB Rail Brackets

Qty (8) Rail to Bracket Fasteners - Stair

Qty (8) Rail to Post Fasteners

Qty (2) 64.75" or 88.75" Aluminum Baluster Adapter Strips

Qty (4) Screw Tip Cover

Trex Transcend®

RAILING

Trex Part #: xxGLIK06 (xx = WT, BK, VL, GP, RS, FP, TH)

Description: Accessory Infill Kit for Glass Panel– Horizontal ONLY
(Glass Sold Separately)

Purpose: Component hardware to construct Glass Panel infill design- Horizontal



Bill of Materials

- Qty (4) 67.5" Panel Support Moldings for Glass Panel
- Qty (2) Glass edge trim gasket
- Qty (1) 8.5" Baluster Strip Trim
- Qty (1) Adjustable Footblock
- Qty (2) Crown Top Rail Gaskets- Horizontal
- Qty (4) Universal Top/Bottom Rail Gaskets- Horizontal
- Qty (4) RSB Rail Brackets
- Qty (8) Rail to Bracket Fasteners - Horizontal
- Qty (8) Rail to Post Fasteners
- Qty (4) Screw Tip Covers

Trex Transcend®

RAILING

Trex Part #: xxHZACCYKIT (xx = WT, BK, VL, GP, RS, FP, TH)

Description: Mounting Hardware for Cut Rails - Horizontal (aka Cut Kit)

UOM: Bag of 1

Purpose: Supplementary brackets for cut rail sections



Bill of Materials

- Qty (2) Crown Top Rail Gaskets- Horizontal
- Qty (4) Universal Top/Bottom Rail Gaskets- Horizontal
- Qty (4) RSB Rail Brackets
- Qty (8) Rail to Bracket Fasteners- Horizontal
- Qty (8) Rail to Post Fasteners
- Qty (4) Screw Tip Covers

Trex Transcend®

RAILING

Trex Part #: xxSTACCYKIT (xx = WT, BK, VL, GP, RS, FP, TH)

Description: Mounting Hardware for Cut Rails - Stair (aka Cut Kit)

UOM: Bag of 1

Purpose: Supplementary brackets for cut rail sections



Bill of Materials

- Qty (1) Crown Top 1 Rail Gaskets- Stair
- Qty (1) Crown Top 2 Rail Gaskets- Stair
- Qty (2) Universal Top/Bottom 1 Rail Gaskets- Stair
- Qty (2) Universal Top/Bottom 2 Rail Gaskets- Stair
- Qty (8) RSB Rail Brackets
- Qty (8) Rail to Bracket Fasteners - Stair
- Qty (8) Rail to Post Fasteners
- Qty (4) Screw Tip Covers

Trex Transcend®

RAILING

Trex Part #: TSHBRACKET

Description: RSB Bracket Pack - Horizontal

UOM: Bag of 1

Purpose: Supplementary brackets and fasteners



Bill of Materials

Qty (4) RSB Rail Brackets

Qty (8) Rail to Bracket Fasteners- Horizontal

Qty (8) Rail to Post Fasteners

Trex Transcend®

RAILING

Trex Part #: TSSBRACKET

Description: RSB Bracket Pack – Stair

UOM: Bag of 1

Purpose: Supplementary brackets and fasteners



Bill of Materials

Qty (8) RSB Rail Brackets

Qty (8) Rail to Bracket Fasteners - Stair

Qty (8) Rail to Post Fasteners

Trex Transcend®

RAILING

Trex Part #: xx00HGASK (xx = WT, BK, VL, GP, RS, FP, TH)

Description: 0 Degree Rail Gasket Pack – Horizontal

UOM: Bag of 1

Purpose: Replacement Gaskets for 0 degree – Horizontal installations
(Gaskets to equip one full section in any rail configuration)

Rail Profile: Crown Top Rail, Universal Top/Bottom Rail



Bill of Materials

Qty (2) Crown Top Rail Gaskets- Horizontal

Qty (4) Universal Top/Bottom Rail Gaskets- Horizontal

Trex Transcend®

RAILING

Trex Part #: xx00SGASK (xx = WT, BK, VL, GP, RS, FP, TH)

Description: 0 Degree Rail Gasket Pack - Stair

UOM: Bag of 1

Purpose: Replacement Gaskets for 0 degree – Stair installations
(Gaskets to equip one full section in any rail configuration)

Rail Profile: Crown Top Rail, **Universal** Top/Bottom Rail



Bill of Materials

Qty (1) Crown Top 1 Rail Gaskets- Stair

Qty (1) Crown Top 2 Rail Gaskets- Stair

Qty (2) Universal Top/Bottom 1 Rail Gaskets- Stair

Qty (2) Universal Top/Bottom 2 Rail Gaskets- Stair

Trex Transcend®

RAILING

Trex Part #: xx22HGASK (xx = WT, BK, VL, GP, RS, FP, TH)

Description: 22.5 Degree Rail Gasket Pack - Horizontal

UOM: Bag of 1

Purpose: Gaskets for 22.5 degree – Horizontal installations
(Gaskets to equip one full section in any rail configuration)

Rail Profile: Crown Top Rail, Universal Top/Bottom Rail

Post Size: 4x4 or 6x6



Bill of Materials

Qty (2) Crown Top Rail Gaskets- 22.5

Qty (4) Universal Top/Bottom 1 Rail Gaskets- 22.5

Trex Transcend®

RAILING

Trex Part #: xx45RSBADAPK (xx = WT, BK, VL, GP, RS, FP, TH)

Description: 45 Degree “Birds-Mouth” Rail Gasket Pack – Horizontal

UOM: Bag of 1

Purpose: Gaskets for 45 degree – Horizontal installations

Rail Profile: Crown Top Rail & Universal Top/Bottom Rail

Post Size: 4x4 or 6x6



Bill of Materials

Qty (4) 45degree Adapters for RSB Rail Brackets

Qty (2) Crown Top Rail Birds-mouth Gaskets- 45

Qty (4) Universal Top/Bottom Rail Birds-mouth Gaskets- 45

Trex Transcend®

RAILING

Trex Part #: WT45HGASK (xx = WT, BK, VL, GP, RS, FP, TH)

Description: 45 Degree Rail Gasket Pack - Horizontal

UOM: Bag of 1

Purpose: Gaskets for 45 degree – Horizontal installations

Rail Profile: Crown Top Rail & Universal Top/Bottom Rail

Post Size: 6x6 ONLY



Bill of Materials

Qty (2) Crown Top Rail Gaskets- 45

Qty (4) Universal Top/Bottom Rail Gaskets- 45

Trex Transcend®

RAILING

Trex Part #: xxFTBLK (xx = WT, BK, VL, GP, RS, FP, TH)

Description: Adjustable Footblock

UOM: Box of 50



Bill of Materials

Qty (1) Adjustable Footblock

Qty (1) Base and Base Fastener

Qty (1) Locking Fastener and Screw Cap

Trex® Outdoor Lighting™

TRANSFORMER CAPACITY BY TYPE

Type of Light	5A Transformer (DL TRANSFORMER)	2.5A Transformer (2.5 DL TRANSFORMER)	8.3A Transformer (83 DL TRANSFORMER)
Riser	180	90	285
Recessed	180	90	285
Post Cap	55	22	85
Deck Rail	180	90	285

Above listing is for maximum number of each individual types of lights. If mixing and matching lighting, contact Trex to determine if more than one transformer is required.

TRANSFORMER CAPACITY BY TYPE

Type of Light	5A Transformer (DL TRANSFORMER)	2.5A Transformer (2.5 DL TRANSFORMER)	8.3A Transformer (83 DL TRANSFORMER)
Well Light	46	23	74
Path Light	31	16	52
Wall Wash Light	31	16	52

Above listing is for maximum number of each individual types of lights. If mixing and matching lighting, contact Trex to determine if more than one transformer is required.

TRANSFORMER CAPACITY BY TYPE

Type of Light	5A Transformer (DL TRANSFORMER)	8.3A Transformer (83 DL TRANSFORMER)
Spotlight	7	12

Above listing is for maximum number of each individual types of lights. If mixing and matching lighting, contact Trex to determine if more than one transformer is required.

Trex® Outdoor Lighting™

Trex Part #: xxSPOT

Description: LED Spotlight

Colors: (BK, BZ)

UOM: Box of (1)



Bill of Materials

Qty (1) Trex Spotlight (featuring Cree Super LED)

Qty (1) Lighthub Male Wire

Qty (1) Female to Female Adapter

Qty (1) 12v to 36v Step-up Transformer

(note: you will need DL5TFSPPLIT1PK to install more than one Spotlight per Transformer)

Trex® Outdoor Lighting™

Trex Part #: xxMULTI

Description: LED Multifunction Light

Colors: (BK, BZ)

UOM: Box of (1)



Bill of Materials

Qty (1) Trex Multifunction Light

Qty (1) Lighthub Male Wire

Qty (1) Female to Female Adapter

Trex® Outdoor Lighting™

Trex Part #: xxWELL

Description: LED Well Light (with removable spike)

Colors: (BK, BZ)

UOM: Box of (1)



Bill of Materials

Qty (1) Trex Well Light

Qty (1) Lighthouse Male Wire

Qty (1) Female to Female Adapter

Trex[®] Outdoor Lighting[™]

Trex Part #: xxSPATH2PK

Description: LED Stepped Path Light (2-pack)

Colors: (BK, BZ)

UOM: Box of (2)



Bill of Materials

Qty (2) Stepped Path Lights

Qty (1) Lighthub Male Wire

Qty (1) Female to Female Adapter

Trex® Outdoor Lighting™

Trex Part #: xxRDPATH2PK

Description: LED Round Path Light (2-pack)

Colors: (BK, BZ)

UOM: Box of (2)



Bill of Materials

Qty (2) Round Path Lights

Qty (1) Lighthub Male Wire

Qty (1) Female to Female Adapter

Trex® Outdoor Lighting™

Trex Part #: xxSQLEDCAP4X4C

Description: LED Flat Post Cap Light

Colors: (WT, BK, FP, VL, TH, RS, GP)

UOM: Box of 1



Bill of Materials

Qty (1) LED Cap Light w/6" Female Lighthub lead

Qty (1) Lighthub Male Wire (5')

Trex® Outdoor Lighting™

Trex Part #: xxPYLEDCAP4X4C

Description: LED Pyramid Post Cap Light

Colors: (WT, BK, FP, VL, TH, RS, GP)

UOM: Box of 1



Bill of Materials

Qty (1) LED Cap Light w/6" Female Lighthub lead

Qty (1) Lighthub Male Wire (5')

Trex® Outdoor Lighting™

Trex Part #: XXALCAPLED25

Description: 2.5" Cap Light for Reveal posts

Colors: (BK, WT, BZ)

UOM: Blister pack of 1



Bill of Materials

Qty (1) LED Cap Light w/6" Female Lighthub lead

Qty (1) Lighthub Male Wire (5')

Trex® Outdoor Lighting™

Trex Part #: XXALPOSTLAMPLED

Description: Wedge Post Lamp *(for use with composite sleeves or aluminum posts)*

Colors: (BK, WT, BZ)

UOM: Blister pack of 1



Bill of Materials

Qty (1) LED Wedge Post Lamp

Qty (1) Lighthouse Male Wire (5')

Trex® Outdoor Lighting™

Trex Part #: xxRISERLED4PKC

Description: LED Riser Light 4-pack

Colors: (BK, WT, BK)

UOM: Bag of (4)



Bill of Materials

Qty (4) LED Riser Lights w/6" Female Lighthub lead

Qty (1) Lighthub Male Wire (5')

Trex® Outdoor Lighting™

Trex Part #: xxLAMPLEDC

Description: LED Post Lamp

Colors: (BK, WT, BK)

UOM: Bag of (1)



Bill of Materials

Qty (1) LED Post Lamp w/6" Female Lighthub lead

Qty (1) Lighthub Male Wire (5')

Trex® Outdoor Lighting™

Trex Part #: xxRECESSLED4PK

Description: LED Recessed Light 4-pack

Colors: N/A

UOM: Bag of (4)



Bill of Materials

Qty (4) LED Recessed light w/6" Female Lighthub lead

Qty (1) Lighthub Male Wire (5')

Trex[®] Outdoor Lighting[™]

Trex Part #: DL5TFSPPLIT1PK

Description: 5-way Transformer Splitter

UOM: Box of (1)



Bill of Materials

Qty (1) 5-way TF splitter

(Splits transformer connection for Spotlight and multi-zone installs)

Trex® Outdoor Lighting™

Trex Part #: DL6SPLIT4PK

Description: 6-way LightHub splitter

UOM: Bag of (4)



Bill of Materials

Qty (4) 6-way Lighthub Splitters

Trex[®] Outdoor Lighting[™]

Trex Part #: DL3SPLIT6PK

Description: 3-way LightHub splitter

UOM: Bag of (6)



Bill of Materials

Qty (6) 3-way Lighthub Splitters

Trex[®] Outdoor Lighting[™]

Trex Part #: DLxxFTWRxPK

Description: Male/Male Lighthub extension wires

Lengths: 5', 10', 20', 40', 60'

UOM: 5' / 10' / 20' = 4 pack
40' = 2 pack
60' = 1 pack



Bill of Materials

Male Lighthub Extension Cables
(Silver Coated Outdoor Rated Copper Wire)

Trex® Outdoor Lighting™

Trex Part #: DLFADAP6PK

Description: Female to Female Lighthub Adapter

UOM: Bag of (6)



Bill of Materials

Qty (6) Female to Female Lighthub Adapters

Trex® Outdoor Lighting™

Trex Part #: 83DLTRANSFORMER

Description: 100W 8.3a Trex Transformer

UOM: Box of (1)



Bill of Materials

- Qty (1) 8.3a Trex Transformer
- Qty (1) 15a Heavy Duty Trex Timer with Photocell
- Qty (2) 20ft Lighthub Extension wire with Transformer Connection

Trex® Outdoor Lighting™

Trex Part #: 25DLTRANSFORMER

Description: 30W 2.5a Trex Transformer

UOM: Box of (1)



Bill of Materials

- Qty (1) 2.5a Trex Transformer
- Qty (1) Trex Timer with Photocell
- Qty (1) 20ft Lighthub Extension wire with Transformer Connection

Trex® Outdoor Lighting™

Trex Part #: DLDIMMER

Description: Trex water resistant dimmer with programmable remote

UOM: Box of (1)



Bill of Materials

Qty (1) Trex Dimmer

Qty (1) Trex Dimmer Remote

Resources



Want to give your railing designs a test run? Mix and match colors, pre-design configurations and check railing item numbers for easy ordering with our **TREX® COLOR VISUALIZER**, now updated with all our railing lines. Simply download for free from the App Store to get started.

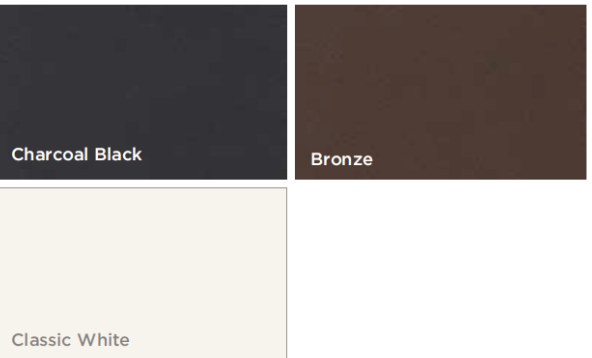


	BALUSTER TYPE	APPLICATION	PER 6" SECTION	PER 8" SECTION
TRANSCEND	Square & Colonial	Horizontal	13	18
	Square & Colonial	Stair	11	15
	Round Aluminum	Horizontal	15	20
	Round Aluminum	Stair	12	16
REVEAL	Square & Round	Horizontal	15	20
	Square & Round	Stair	12	17
SELECT	Square	Horizontal	13	18
	Square	Stair	11	15

TREX TRANSCEND® RAILING



TREX® REVEAL™ ALUMINUM RAILING



TREXSELECT® RAILING

