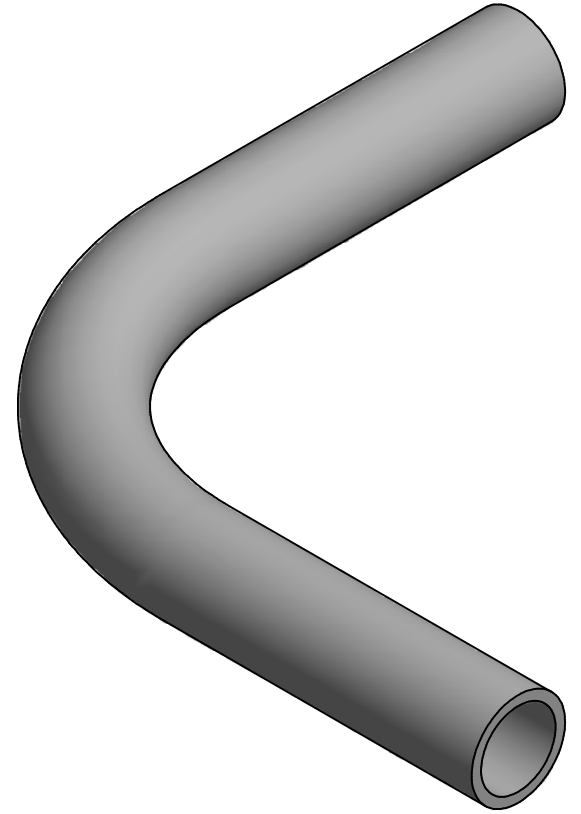
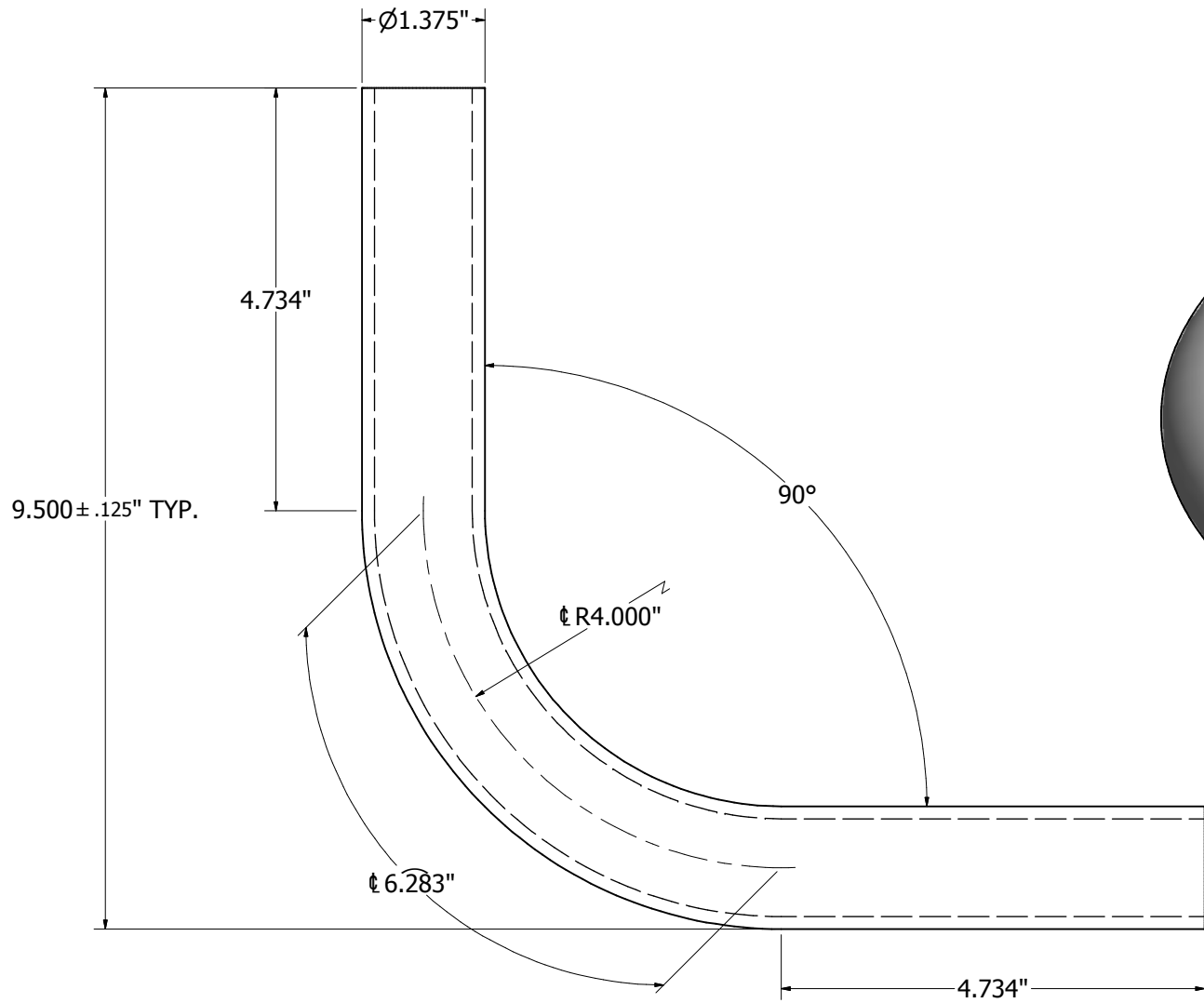



REV.	DESCRIPTION	DATE
A	RELEASED TO PRODUCTION	
B	Changed to 4" Radius	07/07/2009
C	Tube length established.	07/27/2009
D	Changed height to 9.42"	05/09/2014



Note:
Tube Length 15.75"

 DSI Digger Specialties Inc. 3446 US 6 EAST BREMEN, IN 46506 www.diggerspecialties.com	WEIGHT:	DRAWN BY: WJM	MATERIAL:
	STANDARD TOLERANCE: .00 ~ .01 .000 ~ .005 ANG. .5~	DATE DRAWN: 4/14/2009	Aluminum 6063-T52
	FRACTIONS: ± 1/16"	DRAFT NO. 20090414-4W	PART NAME: 72116 Tube 90°.idw
	FILE LOC: Z:\Aluminum\Components\Continuous Handrail\72116 Tube 90°.idw		PART NUMBER: 72116
			REV. D