

# **durables™**

**Classic Vinyl Railing**

**Installation Guide**

## THE BEST CHOICE FOR STRONG & DURABLE RAILING SYSTEMS

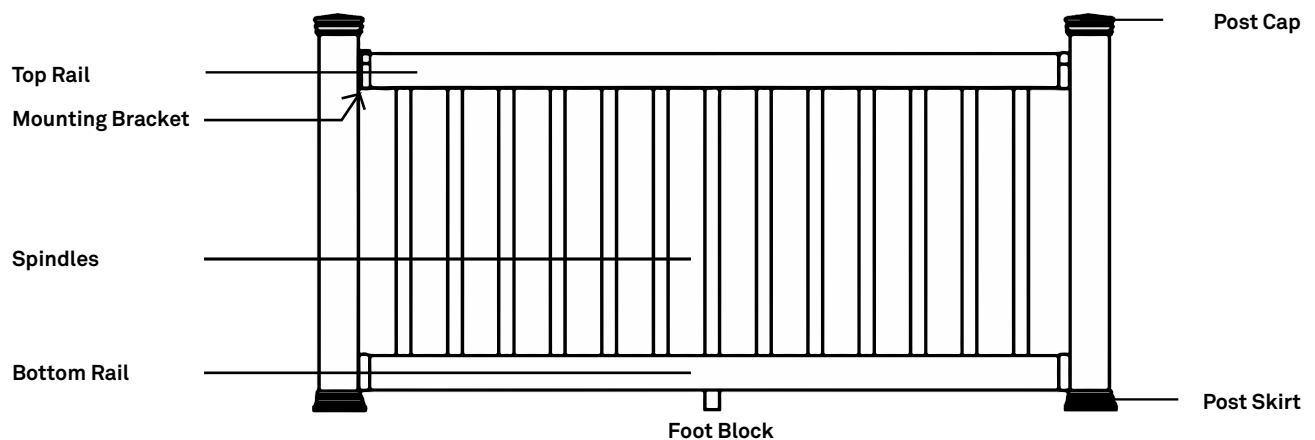
Our exclusive manufacturing process ensures our vinyl railing will provide superior strength plus it is virtually maintenance free. This guide will help make your installation easy. For questions, please call 1-866-719-5782 and welcome to Durables.

### Please note

It is the responsibility of the installer to conform to local building codes and safety requirements. It is also the installer's responsibility to obtain all necessary building permits. All of our classic straight vinyl railing sections 8 ft. long and below meet IRC codes.

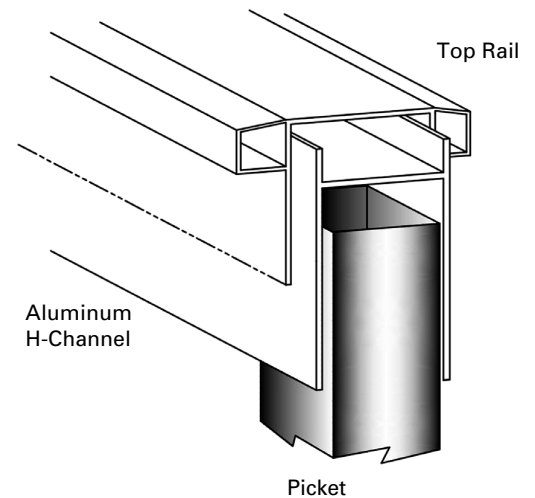
These instructions are guidelines and do not cover every installation scenario. Separate instructions are included for railing brackets. If purchasing post mounts, specific instructions will be included within the packaging. Review all instructions before starting railing installation. The installer may need to modify the exact installation method to meet unique site requirements.

### THE MANUFACTURER WILL NOT BE HELD RESPONSIBLE FOR INCORRECT OR UNSAFE INSTALLATION



## Installation Tips:

1. A non-ferrous metal blade can be used to cut the vinyl and aluminum at the same time. Cut slowly and use all safety precautions
2. Before installing the rails, ensure the aluminum is seated into the vinyl rail properly. The large opening of the H-Channel should be towards the pickets.
3. If using vinyl sleeves, it is easier to mark the mounting bracket position prior to installing them over wood posts or post mounts.
4. The bracket kits include two different size screws. The 1-1/2 in. screws are used to install the mounting bracket to the post. The 1 in. screws are used to attach the rail to the mounting bracket.
5. If you are using an optional post mount, use the 1 in. screws that come with the post mounting hardware to install the black mounting brackets.
6. If cutting material for installation double check all measurements before cutting.



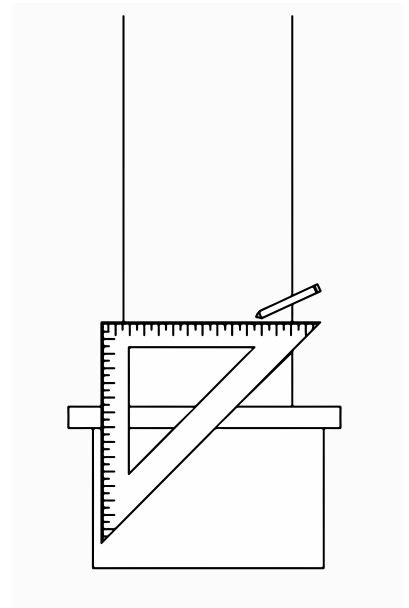
## Section 1

These instructions are designed to be supplemental; review all instructions with the brackets before starting installation.

1. Plumb posts and install optional post skirt before installing railing sections.
2. Determine the distance between the deck and the bottom rail based on local code (generally 2 in.).
3. Mark your post where the mounting bracket will be installed.
4. When marking your posts, subtract  $\frac{3}{4}$  in. from the distance between the deck and the bottom rail to allow space for the mounting bracket, then mark the post with a pencil. (For example: if the distance between the deck and bottom rail is 2 in., place the bracket  $1 \frac{1}{4}$  in. from the bottom of the post.)

**This step will be repeated on the opposite post.**

5. Measure the distance between posts.
6. If cutting down the rails, subtract an equal amount from each end. This will keep the pickets centered.
7. Measure and mark the rails, ensuring the cut is not in the middle of a picket hole.
8. Mark the bottom and top rail to the same length, ensuring the picket holes line up before cutting the rail.
9. Cut the vinyl rail and the aluminum insert to the same length.

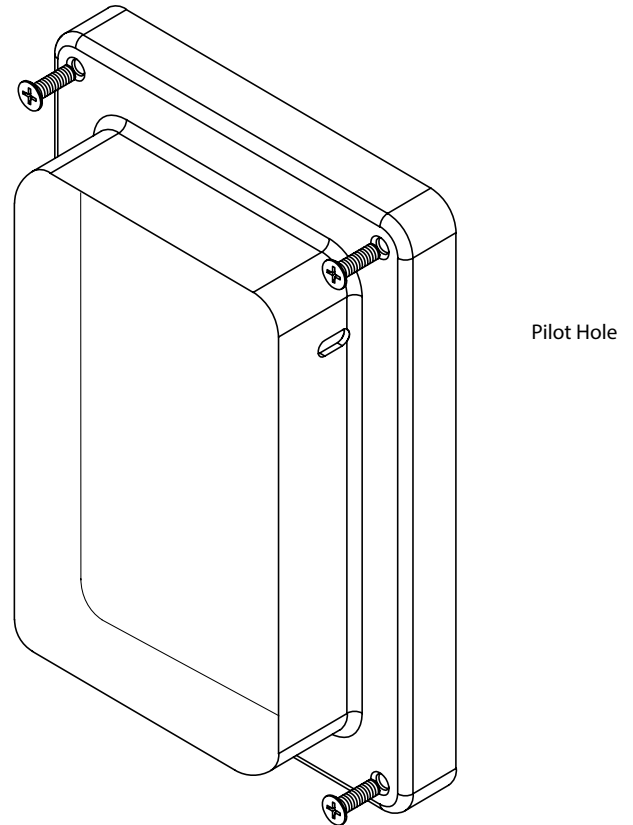


## Section 2

1. The square foot block is 8 in. tall, once you have determined the distance between the deck and the bottom rail (usually 2 in.), add  $3 \frac{3}{8}$  in. to that distance and cut the footblock to that length. (For example: Cut the footblock to  $5 \frac{3}{8}$  in. tall if the desired distance between your deck and the bottom rail is 2 in.).
2. Install the footblock into the pre-routed hole in the bottom of the bottom rail.

## Section 3

1. Assemble the railing sections and slide the mounting brackets over the vinyl rail ends. For the top rail, assure that the pilot holes on the bracket are positioned towards the top of the rail. Likewise, for the bottom rail, assure that the pilot holes on the bracket are positioned towards the bottom of the rail.
2. Position the entire section between the posts aligning the bottom bracket with the line previously drawn.
3. Center the mounting bracket on the post and install the bottom of the mounting bracket on the drawn line.
4. Fasten the mounting bracket to the post using the provided 1-1/2 in. screws, one on each side. Screws should be kept straight and not angled.
5. Fasten the vinyl rail to the mounting brackets using the provided 1 in. screws, two on each side of the rail. This will secure the bottom rail.
6. Place hole plugs over installed screws.



Mounting Bracket

This step will be repeated on the top rail.

## Section 4

1. If needed, alter the post height and install the post caps.