

Figure 1

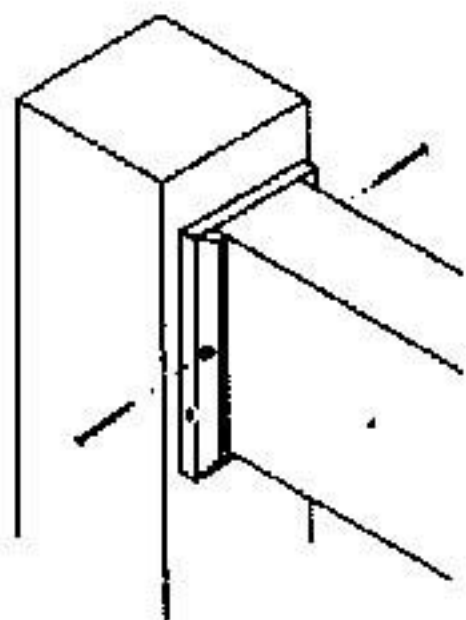


Figure 2

**For use with horizontal rails :**

- 1. Measure the distance between two posts and subtract 1/2". Cut rails to this length.**
- 2. Attach a clip to each end of the rail with two screws through the predrilled holes. (Figure 1)**
- 3. Set the rail at the desired height and check for level. Fasten with three screws through the predrilled holes.(Figure 2)**
- 4. Be sure to orient the covers so that the skinny part is toward the lumber.**
- 5. To insure the covers stay in place, apply a small amount of clear silicon onto the screw inserting the cover.**