

# Bison Innovative Products

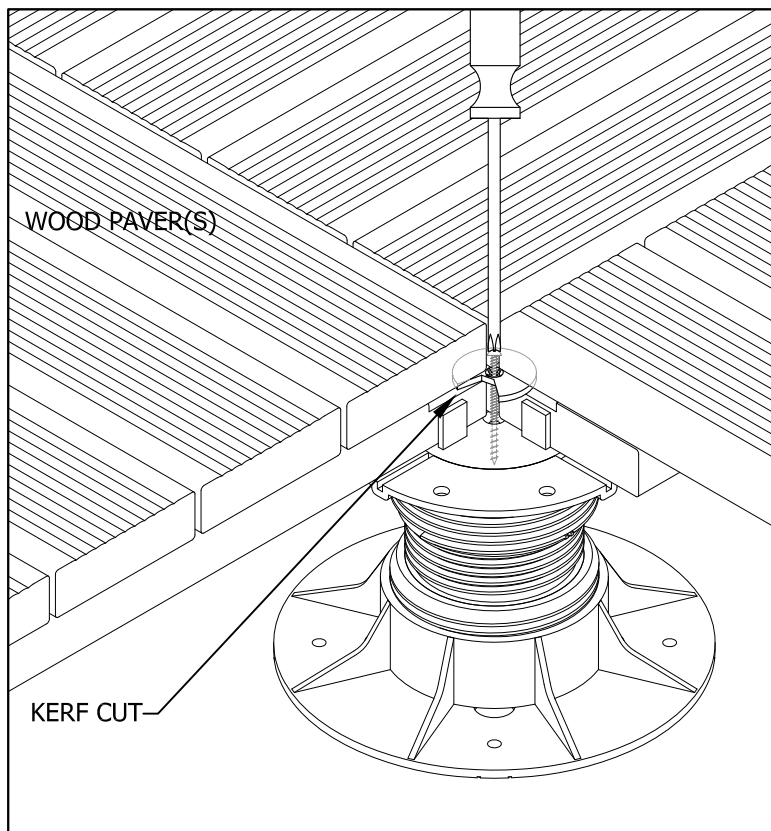
1975 West 13th Avenue  
Denver, CO 80204 USA  
BisonIP.com  
info@BisonIP.com

Phone 303.892.0400  
Toll Free 800.333.4234  
Fax 303.825.5988



**LEVEL.IT**  
Adjustable Deck Supports

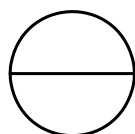
Get CEU Credits, Details, Specifications online at [BisonIP.com](http://BisonIP.com)



PLACE THE FS1 WASHER IN THE KERF CUT BETWEEN THE BOTTOM RAIL AND THE UPPER SLAT IN THE CORNERS OF THE THREE WOOD PAVERS. LEAVE THE NOTCH IN THE WASHER FACING OUTWARDS IN ORDER TO LEAVE ROOM TO PLACE THE 4th PAVER. AFTER ALL PAVERS ARE TIGHTLY IN PLACE, ROTATE THE WASHER USING A SCREWDRIVER SO THAT THE SOLID PART OF THE WASHER IS IN CONTACT WITH THE CORNERS OF ALL FOUR PAVERS. INSERT THE FS1 SCREW THROUGH THE HOLE IN THE CENTER OF THE WASHER AND THE PILOT HOLE IN THE CENTER OF THE TAB SET INTO THE TOP OF THE PEDESTAL. HAND TIGHTEN UNTIL THE CORNERS OF ALL FOUR PAVERS ARE SECURELY FASTENED TO THE PEDESTAL, DO NOT TO OVER-TIGHTEN.

## GENERAL NOTES: APPLY TO ALL OF THE ABOVE PRODUCTS

1. INSTALLATION MUST BE COMPLETED IN ACCORDANCE WITH BISON INNOVATIVE PRODUCTS SPECIFICATIONS.
2. DRAWINGS NOT TO SCALE.
3. CONTRACTOR'S NOTE: FOR PRODUCT AND COMPANY INFORMATION VISIT [www.BisonIP.com](http://www.BisonIP.com)



## FS1 FASTENING KIT DETAIL

USING AN FS1 WITH BISON WOOD PAVERS