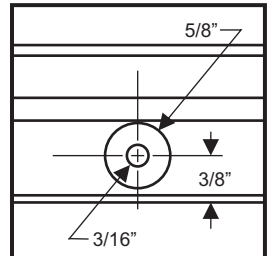
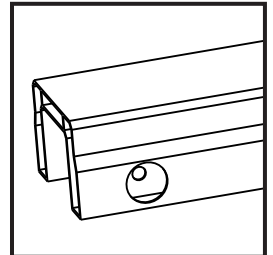
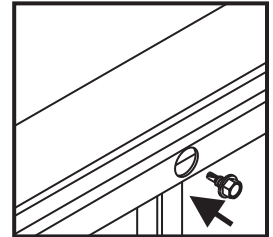
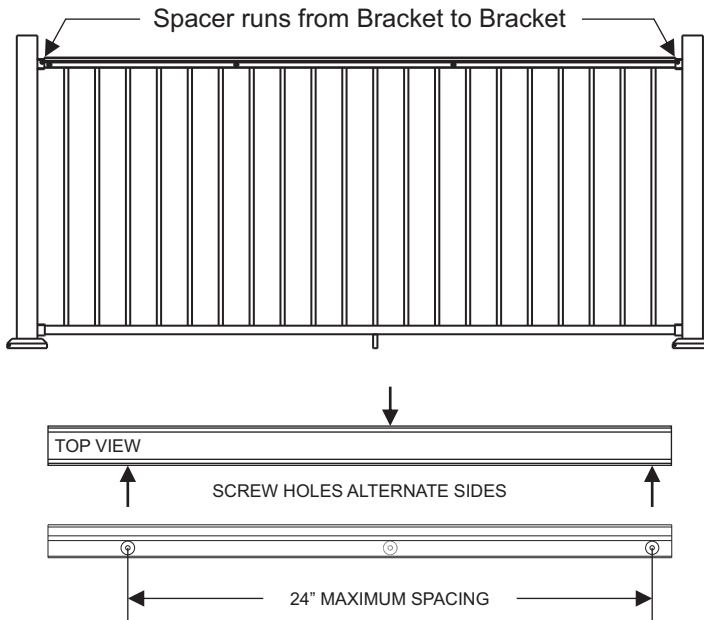


# Installation Instructions for Fortress AI<sup>13</sup> HOME Flat Accent Top Rail

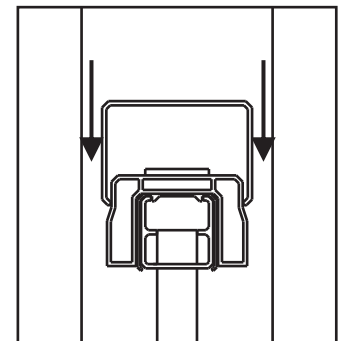
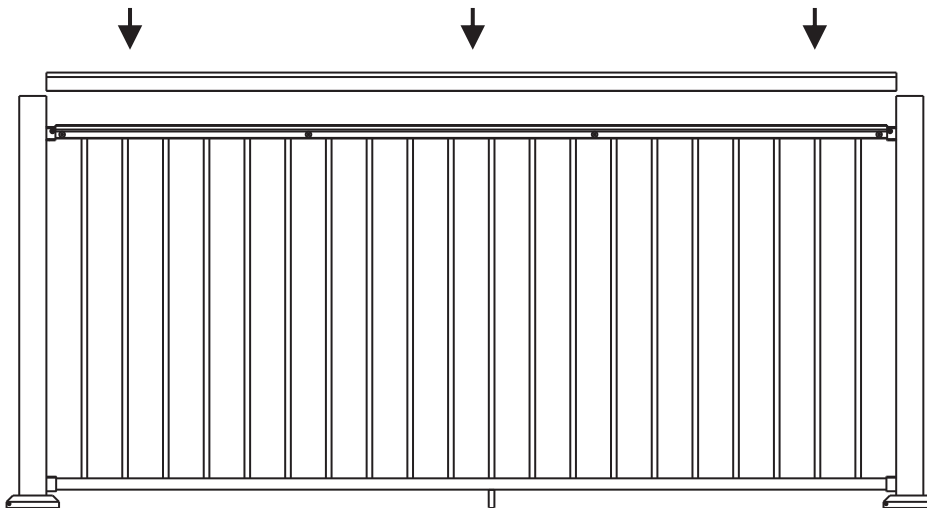
## Flat Accent Top Rail (ATR) Spacer

- The 16', 8' and 6' Flat Accent Top Rail kits comes with 1 full length spacer.
- Measure the distance from the inside edge of the 2 brackets.
- Cut the ATR Spacer to this length.
- If additional screw holes need to be added to the ATR Spacer after cutting. See image below for hole size and placement.
- Attach spacer using provided self-drilling screws with a 5/16" nut driver.



## Flat Accent Top Rail

- Measure the distance from the inside edge of the 2 posts.
- Cut the ATR to this length using the same steps as used for cutting down a panel.
- When test fitting the ATR, place it on top of the spacers. **Do not** press the ATR down over the spacers. Removing the ATR from the spacers can damage the ATR and spacers.
- Remove the backing of all of the double-sided tape on the ATR spacers.
- Using force, the ATR snaps down around the ATR spacer.



ATR should not go past this point when test fitting