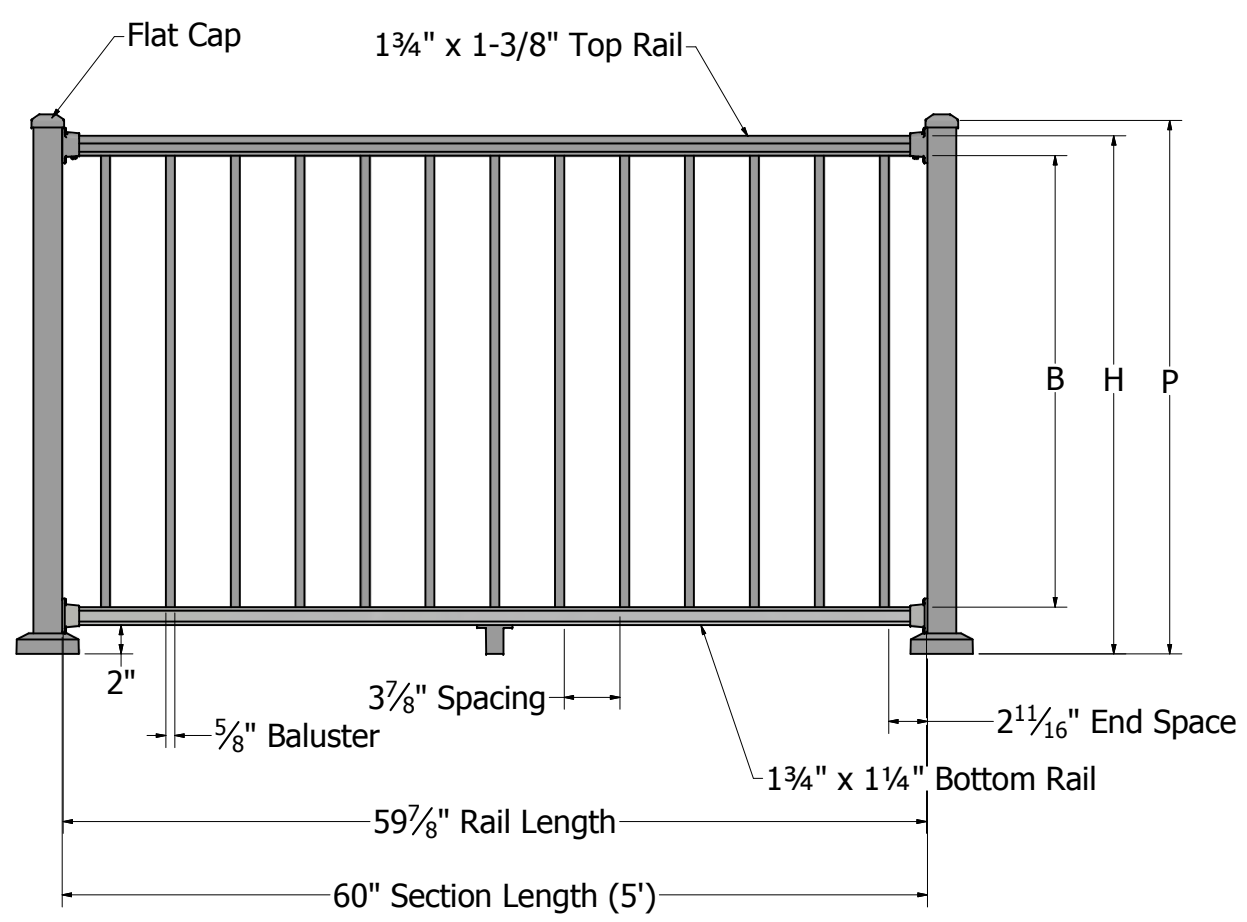


REV.	DESCRIPTION	DATE
A	Added Railing Support.	08/19/2013



Size	B	H	P
36" Railing	31-3/8"	36"	37"
42" Railing	37-3/8"	42"	43"

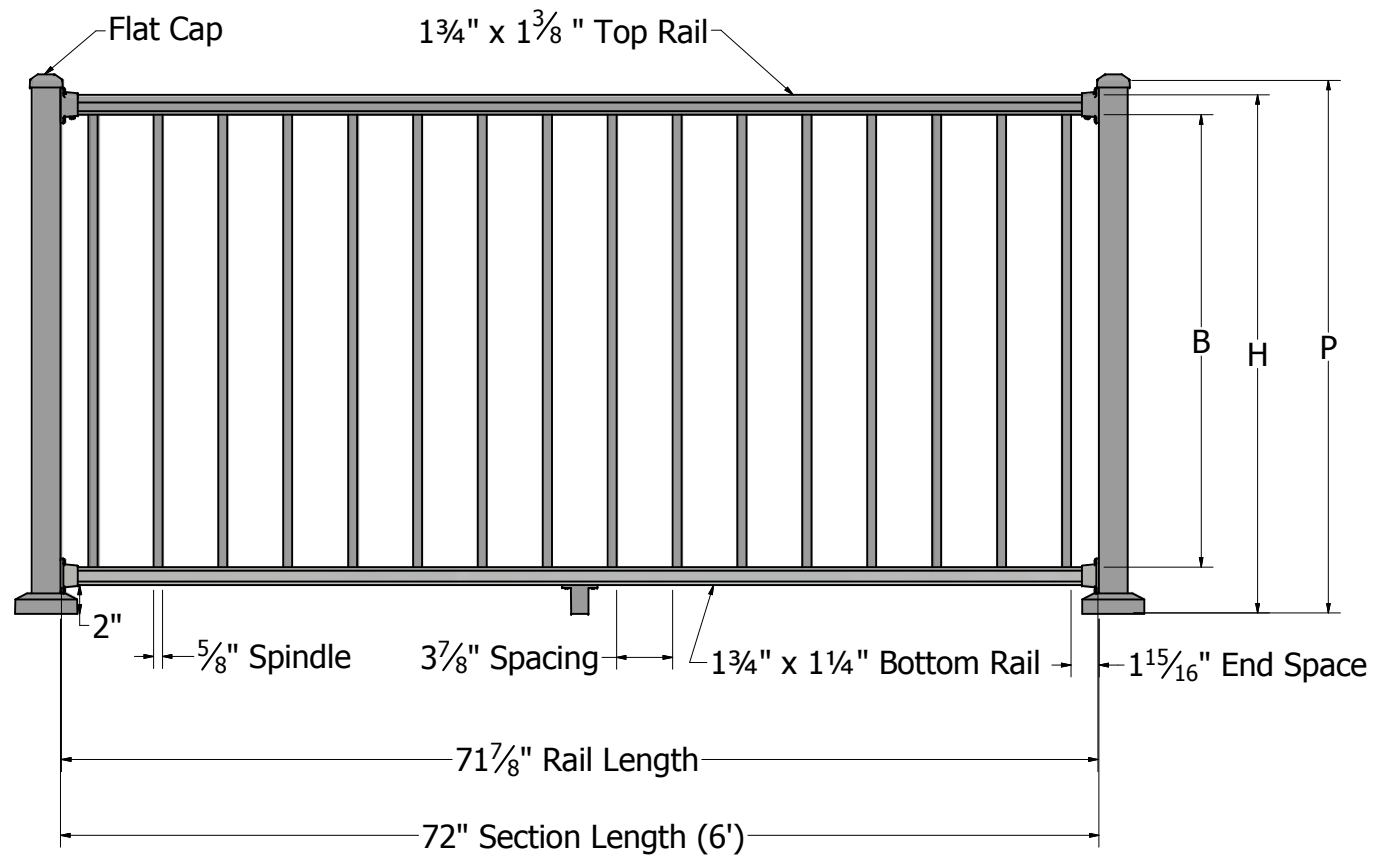
DSI
Digger
Specialties
Inc.

3446 US 6 EAST
BREMEN, IN 46506
www.diggerspecialties.com

WEIGHT:	DRAWN BY: FSB
STANDARD TOLERANCE: .00 .01 .000 .005 ANG. .5~	DATE DRAWN: 7/30/2014
FRACTIONS: ± 1/16"	DRAFT NO. 20140730-1F
FILE LOC: Z:\Aluminum\Westbury\S10 Railing\Section drawings\S10 Level Section 5'.idw	

MATERIAL: Aluminum / Zinc
PART NAME: S10 Level Section 5'.idw
PART NUMBER: 36"T 74099 42"T 74100
REV. A

REV.	DESCRIPTION	DATE
A	Added Railing Support.	08/19/2013



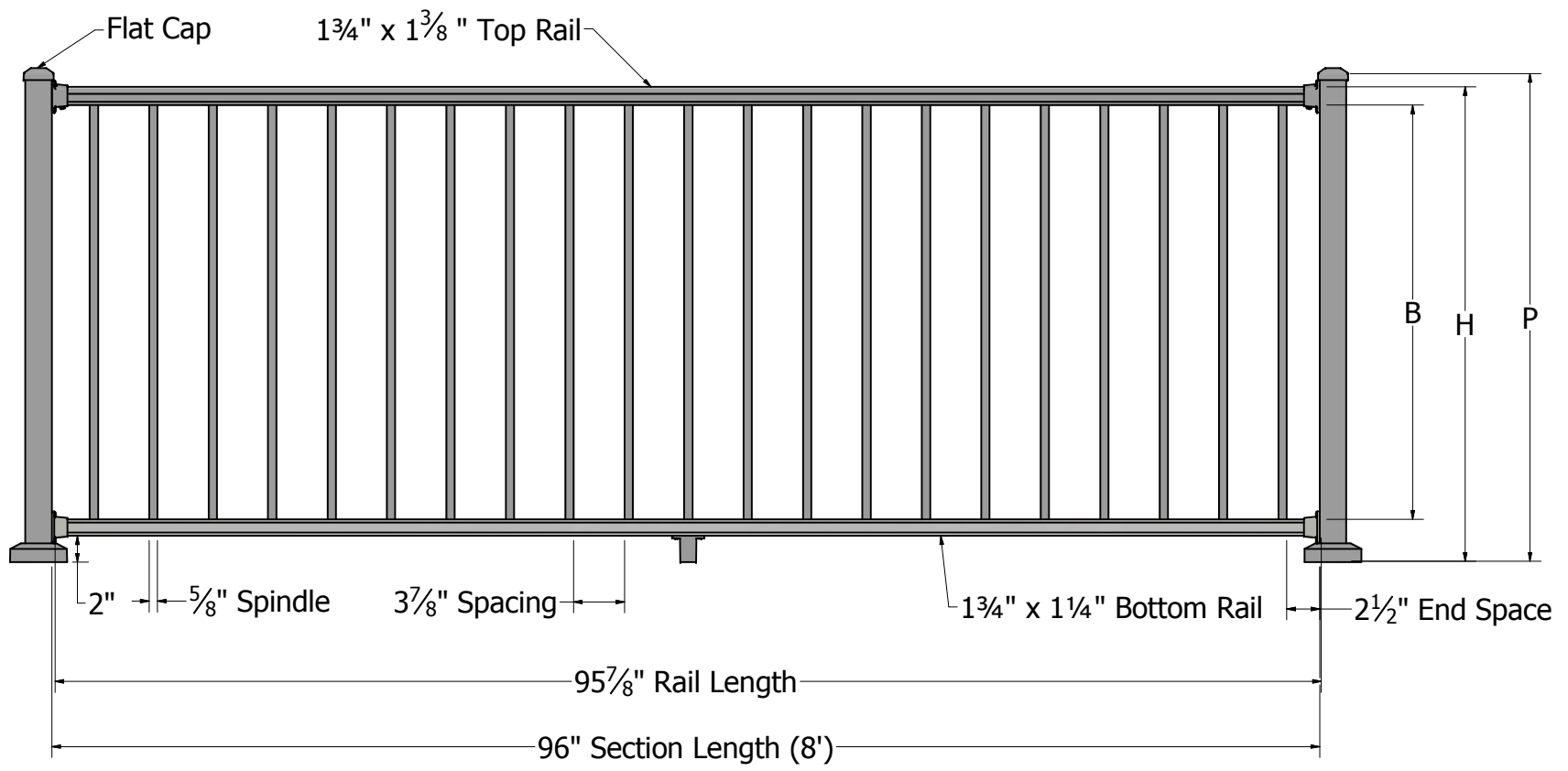
Size	B	H	P
36" Railing	31-3/8"	36"	37"
42" Railing	37-3/8"	42"	43"


DSI Digger Specialties Inc.
 3446 US 6 EAST
 BREMEN, IN 46506
www.diggerspecialties.com

WEIGHT:	DRAWN BY: WJM
STANDARD TOLERANCE: .00 ~.01 .000 ~.005 ANG. ~.5~	DATE DRAWN: 5/1/2013
FRACTIONS: ± 1/16"	DRAFT NO. 20130501-1W
FILE LOC: Z:\Aluminum\Westbury\S10 Railing\Section drawings\S10 Level Section 6'.idw	

MATERIAL: Aluminum / Zinc
PART NAME: S10 Level Section 6'.idw
PART NUMBER: 36"T 74001 42"T 74003
REV. A

REV.	DESCRIPTION	DATE



Size	B	H	P
36" Railing	31-3/8"	36"	37"
42" Railing	37-3/8"	42"	43"


DSI Digger Specialties Inc.
 3446 US 6 EAST
 BREMEN, IN 46506
www.diggerspecialties.com

WEIGHT:	DRAWN BY: WJM	MATERIAL:
STANDARD TOLERANCE: .00 .01 .000 .005 ANG. .5~	DATE DRAWN: 2/28/2013	Aluminum / Zinc
FRACTIONS: ± 1/16"	DRAFT NO. 20130228-2W	PART NAME: S10 Level Section 8'.idw
FILE LOC: Z:\Aluminum\Westbury\S10 Railing\Section drawings\S10 Level Section 8'.idw		PART NUMBER: 36"T 74002 42"T 74004
		REV.