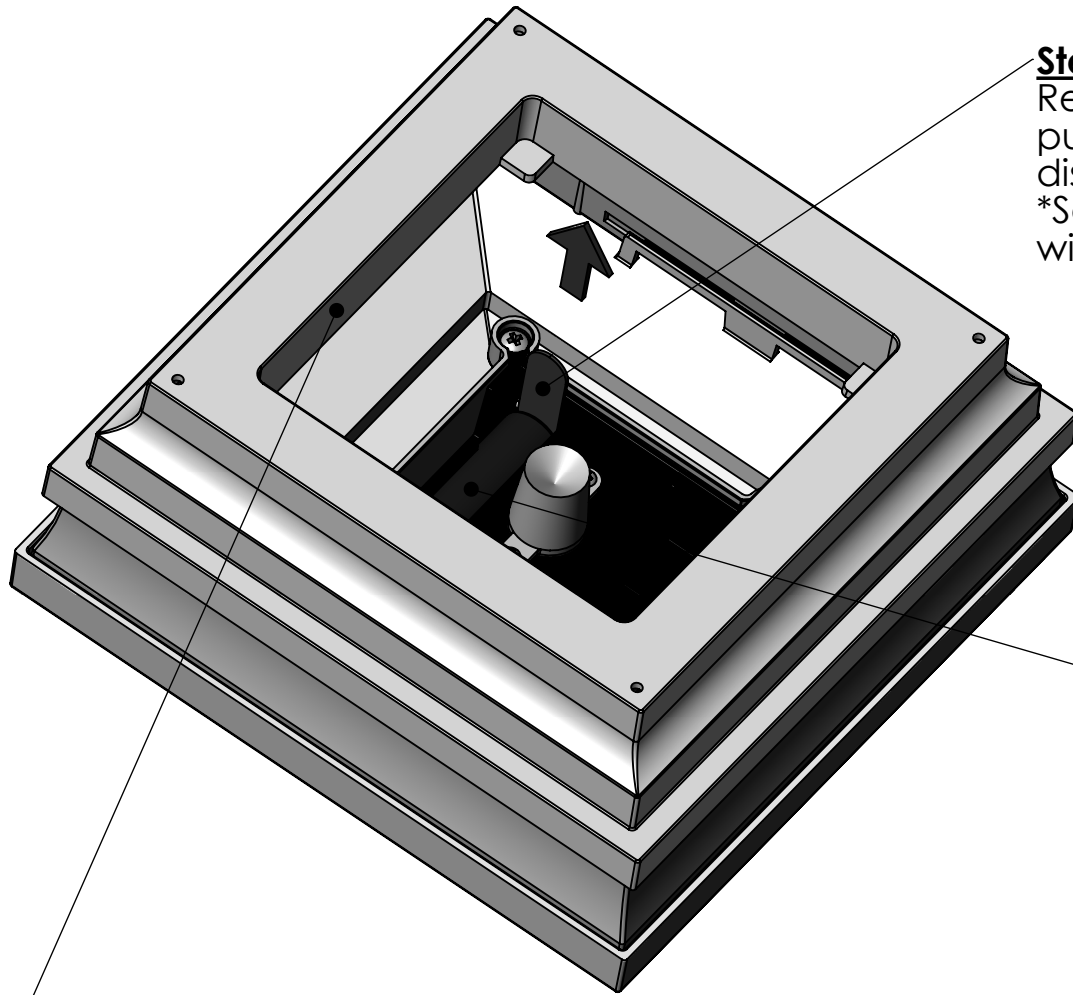


SOLAR POST CAP INSTALLATION INSTRUCTIONS



Step 1

Remove the battery isolator by pulling it out towards the opening and discarding.

*Some designs may not use pull tab and will need included battery installed.

When battery replacement is required, Use (1) - 14500, 3.2v, 600 mAh, LiFePO4 (Lithium Phosphate) battery.

Step 2

Apply clear exterior silicone caulking (not supplied) sparingly on the top four corners of the post. Then place Post Cap Light onto the post.

Note: Do not glue cap to post as the battery will need to be replaced during the normal life of the product.

Note:

The post cap depicted in these instructions may not be the style you have selected. The instructions are identical for all styles.

Solar Lighting

Five Year Warranty

If within five (5) years from the date of purchase, this product fails due to a defect in material or workmanship, LMT Mercer Group Inc. will repair or replace it, at its sole option, free of charge. This warranty applies only to the original purchaser and is not transferable.

LMT Mercer Group Inc. will not be liable for incidental or consequential damages. Some states do not allow the exclusion or limitation of incidental or consequential damages, so the above limitation or exclusion may not apply to you.

This warranty is in lieu of all other express or implied warranties. All implied warranties, including the warranty of fitness for a particular purpose, are hereby modified to exist only as contained in this limited warranty, and shall be of the same duration as the warranty period stated above. Some states do not allow limitations on the duration of an implied warranty, so the above limitation may not apply to you.

The warranty does not apply to: (a) damage caused by accident, abuse, in handling, and/or dropping; (b) acts of God; (c) units which have been subject to unauthorized repair, opened, taken apart or otherwise modified; (d) units not used in accordance with directions; (e) damages exceeding the cost of the product; (f) sealed lamps and/or lamp bulbs, LED's and batteries; (g) the finish on any portion of the product, such as surface scratches and/or weathering, as this is considered normal wear and tear. Some states do not allow a limitation of damages so the foregoing limitation may not apply to you. This warranty gives you specific legal rights and you may also have other rights, which vary from state to state.

Warranty service is available by mailing postage prepaid to the authorized service station listed below. Please be sure to wrap the product securely when mailing to avoid shipping damage. This warranty is made by:

LMT Mercer Group Inc. c/o Customer Service
690 Puritan Ave. Lawrenceville, NJ 08648
888-570-5252