



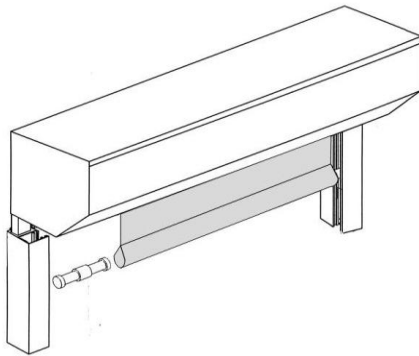
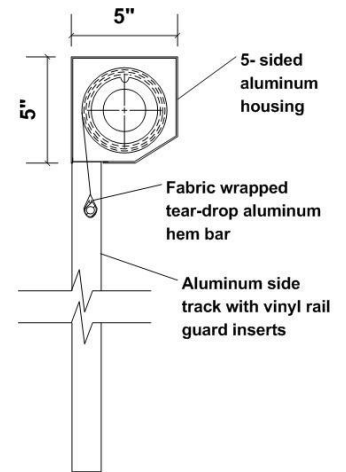
Oasis® 2800 Patio Shade INSTALLATION INSTRUCTIONS

Oasis® 2800 Patio Shade system is available with two guide systems (side track or cable guide) and two operating systems (crank & gear or motorized).

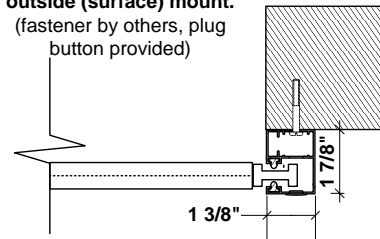
- For Oasis 2800 units with complete head box, follow installation instructions for each operator and side track or cable option below.
- For Oasis 2800E with exposed bracket/pocket mount shades refer to instructions on last page.

Note: Mounting screws are not provided.

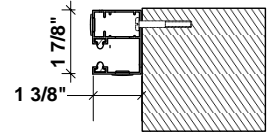
CRANK & GEAR INSTALLATION WITH SIDE TRACKS



Side Track drilled for outside (surface) mount.
(fastener by others, plug button provided)

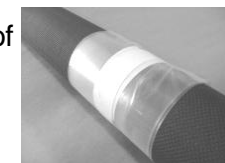
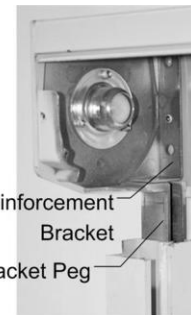
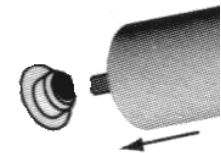
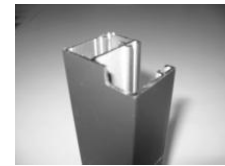


Side Track drilled for inside mount.



1. Mount side tracks at appropriate opening width and height. Notched portion of track goes at top. Tracks must be mounted plumb and parallel. *Note: If you do not have 7 3/4" of clearance at top of side tracks you will need to mount side rails and head box at the same time.
2. Remove front cover.
3. Remove shade and roller tube by compressing spring idler and removing square drive shaft from gear.
4. Slide head box into sidetracks. Make sure peg on bracket slides down into hollow cavity on side tracks. The head box is supplied with a (silver) metal reinforcement bracket, which has two holes on the top and two holes in the back. Screw brackets to wall or post with #10 x 1 1/2 " or longer pan-head screws (not provided).

On wider units, secure back cover to wall between brackets with screws (not provided). Be careful not to tighten down screws too hard as this may cause damage to the head box.
5. Re-install shade into head box by inserting spring idler into spring idler bracket, compress spring and insert crank drive end of axle into gear. Remove the plastic sleeve from around the shade. Attach crank handle to gear eye. Using crank, unroll about 12 inches of fabric from shade roll.
6. Insert hem bar into the hem pocket at bottom of fabric.



7. Tilt one end of hembar and insert into sidetrack at top and let it drop down into sidetrack. Tilt up the other end of hembar, insert into track guide, and let it drop down into sidetrack.
8. Set down stop. Crank shade down to full down desired position. Compress shade against idler side and completely remove shade with square crank drive pin from gear and continue cranking in downward direction until you cannot crank any further. Re-insert square crank drive pin into gear. Down stop is now set.
9. Operate shade several times to test. Make any necessary adjustments for telescoping or levelness of fabric. See attached telescoping correction information if necessary.
10. Reinstall front cover.
Install plug buttons on side rails for surface mount installations.



MOTORIZED SHADE INSTALLATION WITH SIDE TRACKS

1. Mount side tracks at appropriate opening width and height. Mount side tracks with # 8 or #10 screw (not provided) at appropriate width. Notched portion of track goes at top. Tracks must be mounted plumb and parallel. *Note: If you do not have 7 3/4" of clearance at top of side tracks you will need to mount side rails and head box at the same time.
2. Remove front cover.
3. Remove motor retainer ring. Remove shade and roller tube by compressing spring idler and removing motor from motor mount. (Some motors utilize alternative motor retainer clip system)
4. Slide head box into side tracks. Make sure peg on bracket slides down into hollow cavity on side tracks. The head box is supplied with a silver metal reinforcement bracket, which has two holes on the top and two holes in the back. Screw brackets to wall or post with #10 x 1 1/2 "or longer pan-head screws (not provided).

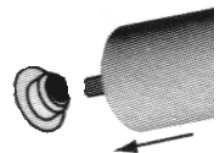
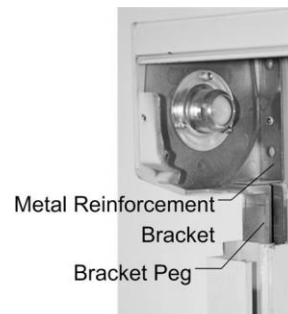


Motor Mount



Motor Retainer Clip

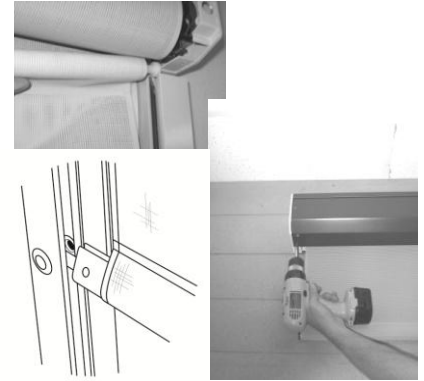
On wider units, secure back cover to wall between brackets with screws (not provided). Be careful not to tighten down screws too hard as this may cause damage to the head box. Drill a hole either through top or back of head box to route the motor wire out of box.



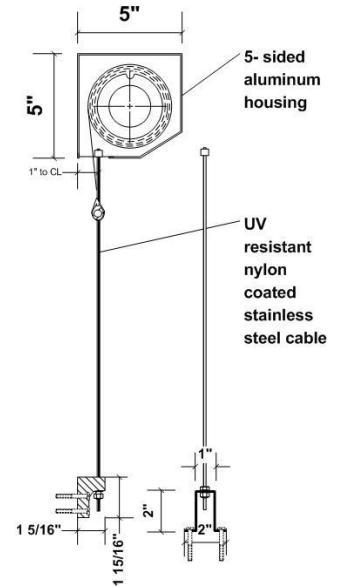
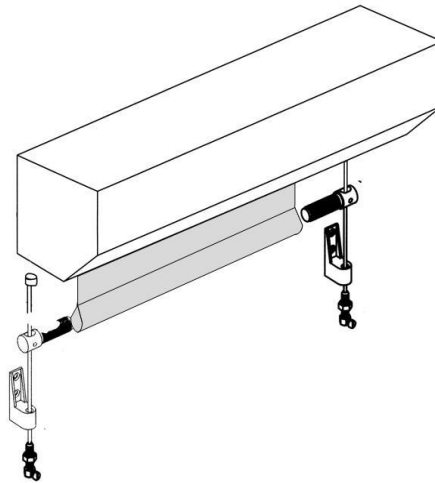
5. Re-install shade into head box by inserting spring idler into spring idler bracket, compress spring and insert motor back into motor mount. Re-attach motor retainer ring. Remove the plastic sleeve from around the shade. Make sure motor limits are accessible and wire does not interfere with shade operation. Using test switch, run shade down about 12".
6. Insert hem bar into the hem pocket at bottom of fabric.



7. Tilt one end of hem bar and insert into sidetrack at top and let it drop down into sidetrack. Tilt up the other end of hem bar, insert into track guide, and let it drop down into sidetrack.
8. Set upper and lower motor limit stops. Refer to attached motor limit setting instructions.
9. Operate shade several times to test. Make any necessary adjustments for telescoping or levelness of fabric. See attached telescoping correction information if necessary.
10. Reinstall front cover.
Install plug buttons on side rails for surface mount installations.



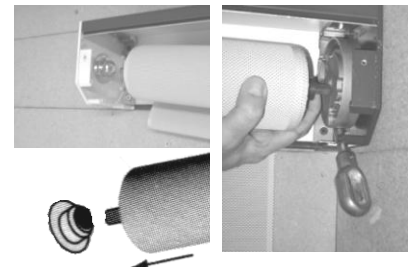
CRANK & GEAR INSTALLATION WITH CABLES



1. Remove front cover.
2. Remove shade and roller tube by compressing spring idler and removing square drive shaft from gear.
3. Place head box and bracket assembly in desired location. The head box is supplied with a silver metal reinforcement bracket, which has two holes on the top and two holes in the back. Screw brackets to wall or post with #10 x 1 1/2 "or longer pan-head screws (not provided).

On wider units, secure back cover to wall between brackets with screws (not provided). Be careful not to tighten down screws too hard as this may cause damage to the head box.

4. Feed both cables through holes in bottom of head box bracket from inside out.
5. Re-install shade into head box by inserting spring idler into spring idler bracket, compress spring and insert crank drive end of axle into gear. Remove the plastic sleeve from around the shade. Attach crank handle to gear eye.
6. Insert hem bar into the hem pocket at bottom of fabric. Using crank, run shade down 2 feet and slip cable through hembar inserts.



- Remove either wall mount or deck mount guide brackets from plastic bag. Attach brackets to wall or deck (at bottom shade location) vertically aligned with cable hole in head box bracket above - one bracket on each side of shade. The wall mount angle bracket can be installed with the mounting leg facing up or down depending upon installation variables.

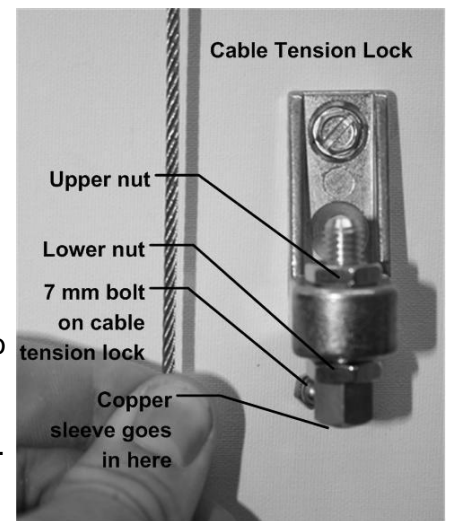


Wall Mount

Deck Mount

- Remove threaded cable lock assembly from plastic bag. Remove bottom nut and insert assembly into bracket hole. Re-attach nut onto assembly making sure the copper sleeve remains seated in top of the assembly.

- Pull cable taut beside the wall or deck mount bracket. Mark the cable approximately 2" above the copper sleeve and strip the sheathing off the cable with 12 gauge wire stripper. Insert cable through hole in cable lock assembly. Using a pair of pliers, pull cable taut and tighten 7mm bolt on cable tension lock. This screw must be completely tight to crush copper sleeve in cable lock.



- Loosen the upper nut and tighten the lower nut to adjust cable tension. Do not over tighten. Re-tighten the upper nut. After cable is tightened, trim excess cable below cable lock with diagonal pliers (leave a minimum of 1" of cable exposed).

- Set down stop. Crank shade down to full down desired position. Compress shade against idler side and completely remove square crank drive pin from gear and continue cranking in downward direction until you cannot crank any further. Re-insert square crank drive pin into gear. Down stop is now set.



- Operate shade several times to test. Make any necessary adjustments for telescoping or levelness of fabric. See attached telescoping correction information if necessary.



- Reinstall front cover.

MOTORIZED SHADE INSTALLATION WITH CABLES

- Remove front cover.
- Remove motor retainer ring. Remove shade and roller tube by compressing spring idler and removing motor from motor mount.
- Place head box and bracket assembly in desired location. The head box is supplied with a silver metal reinforcement bracket, which has two holes on the top and two holes in the back. Screw brackets to wall or post with #10 x 1 1/2" or longer pan-head screws (not provided).



Motor Mount



Motor Retainer Clip

On wider units, secure back cover to wall between brackets with screws (not provided). Be careful not to tighten down screws too hard as this may cause damage to the head box. Drill a hole either through top or back of head box to route the motor wire out of box.



- Feed both cables through holes in bottom of head box bracket from inside out.



5. Reinstall shade back into head box by depressing idler end into idler bracket and inserting motor into motor mount. Make sure limit switches are accessible and motor wire does not interfere with shade operation.

6. Insert hem bar into the hem pocket at the bottom of the shade.

7. Run cables through holes in hem bar inserts.

8. Remove either wall mount or deck mount guide brackets from plastic bag. Attach brackets to wall or deck (at bottom shade location) vertically aligned with cable hole in head box bracket above - one bracket on each side of shade. The wall mount angle bracket can be installed with the mounting leg facing up or down depending upon installation variables.

9. Remove threaded cable lock assembly from plastic bag. Remove bottom nut and insert assembly into bracket hole. Re-attach nut onto assembly making sure the copper sleeve remains seated in top of the assembly.

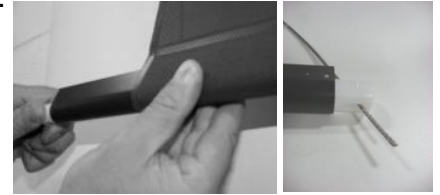
10. Pull cable taut beside the wall or deck mount bracket. Mark the cable approximately 2" above the copper sleeve and strip the sheathing off the cable with 12 gauge wire stripper. Insert cable through hole in cable lock assembly. Using a pair of pliers, pull cable taut and tighten 7mm bolt on cable tension lock. This screw must be completely tight to crush copper sleeve in cable lock.

11. Loosen the upper nut and tighten the lower nut to adjust cable tension. Do not over tighten. Re-tighten the upper nut. After cable is tightened, trim excess cable below cable lock with diagonal pliers (leave a minimum of 1" of cable exposed).

12. Set upper and lower motor limit stops. Refer to attached motor limit setting instructions.

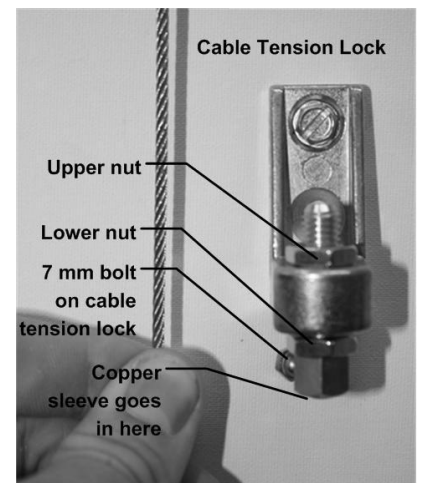
13. Operate shade several times to test. Make any necessary adjustments for telescoping or levelness of fabric. See attached telescoping correction information if necessary.

14. Reinstall front cover.

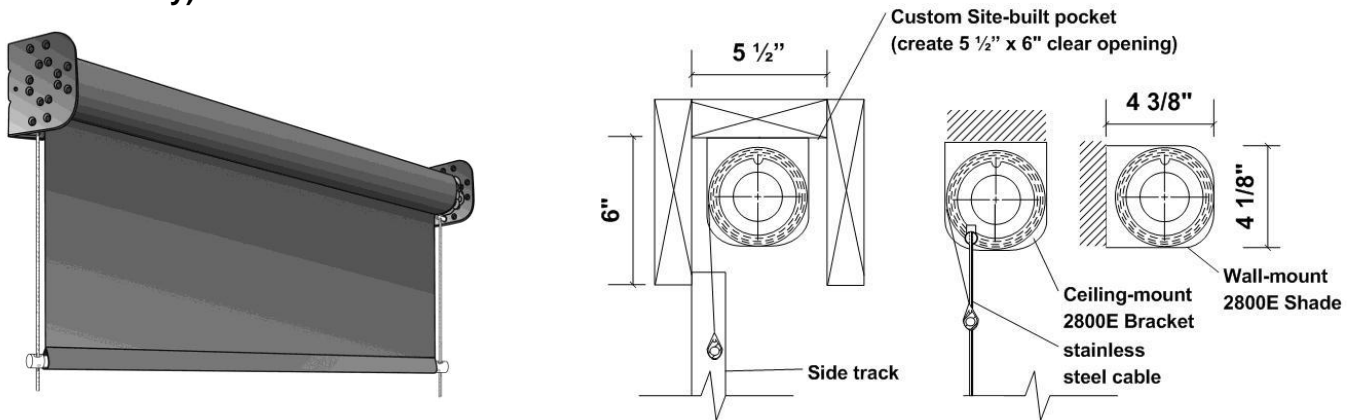


Wall Mount

Deck Mount



OASIS 2800E EXPOSED BRACKET OR POCKET INSTALLATION (Motorized Only)



For exposed roller or pocket applications, use our 2800E bracket.

1. Check to make sure bracket alignment with side track location to make sure fabric drops straight into tracks. Mount brackets as wall or ceiling mount at order width. These are critical dimensions. (For cable installation, you will need a 4mm Allen wrench to tighten cable attachment to the bracket.)
2. Mount shade following motorized shade instructions above (#5-8 for side track shades or 4-13 for cable shades). Note that the 2800E system does not include a head box or front cover.



TROUBLESHOOTING – TELESCOPING SHADE ADJUSTMENT

1. To adjust shades for telescoping (excessive horizontal movement of fabric while shade rolls up on the tube), roll shade all the way down so tube is exposed (this will require adjustment of the down limit on motor).
2. Place a 4" piece of tape (2"-4" in from the end of shade) on the side of the tube opposite of the direction the fabric is moving toward.
3. Run the shade up. If shade still telescopes, repeat the process. The correct amount of tape can only be determined by trial and error.
4. Re-set the down limit after shade adjustments are made.

For more assistance: Contact Insolroll, Inc.
www.insolroll.com 800-447-5534 REV 6/13