

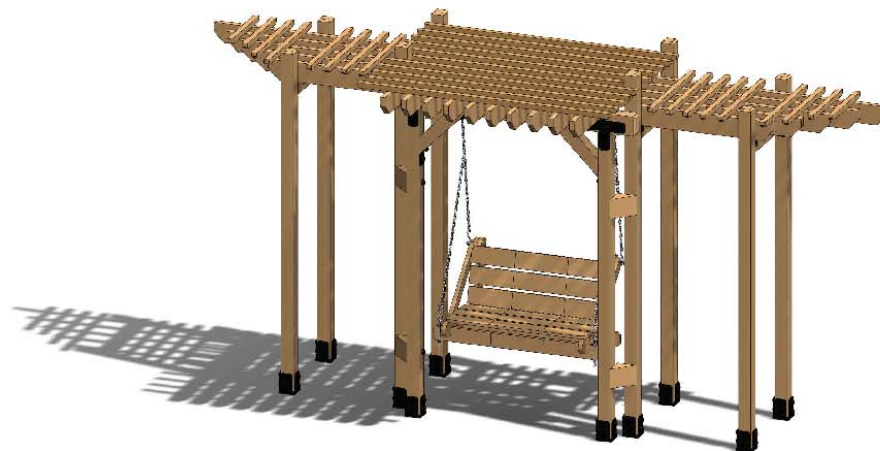
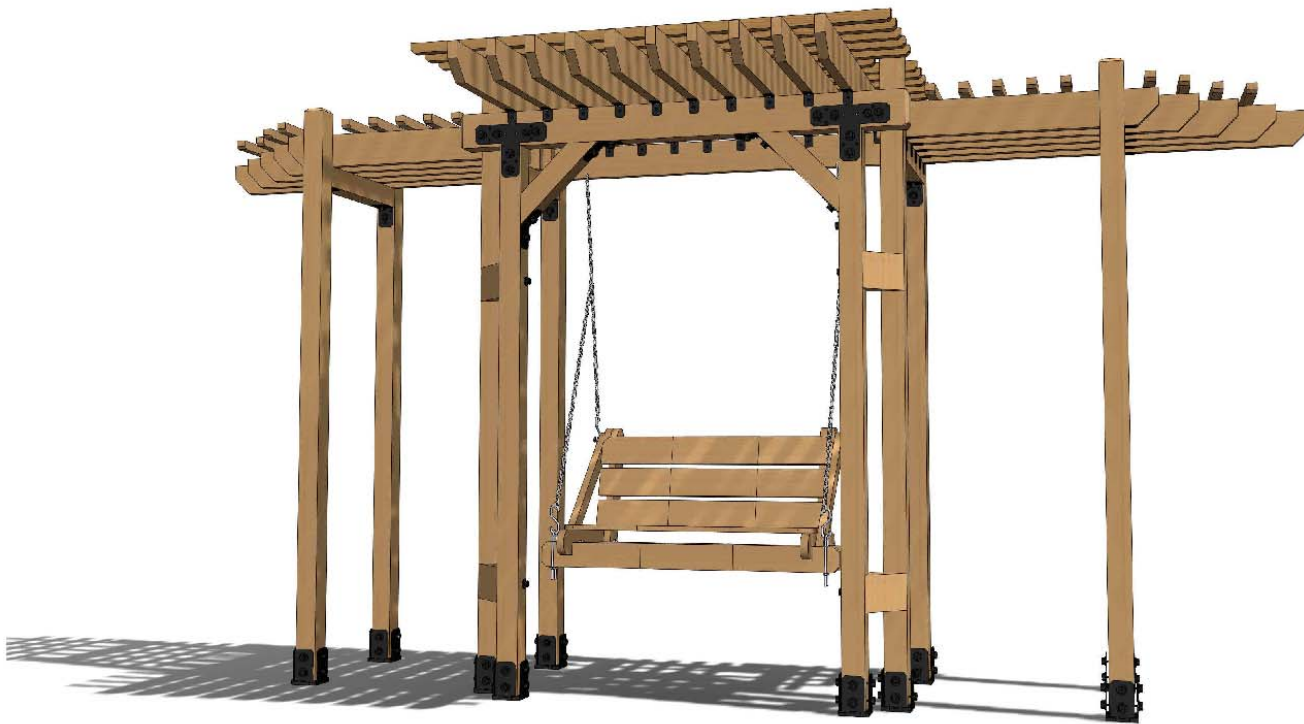
DESIGN

PURCHASE

CONSTRUCT

ENJOY

**OZCO Project #579
- Porch Pergola
with Swing**

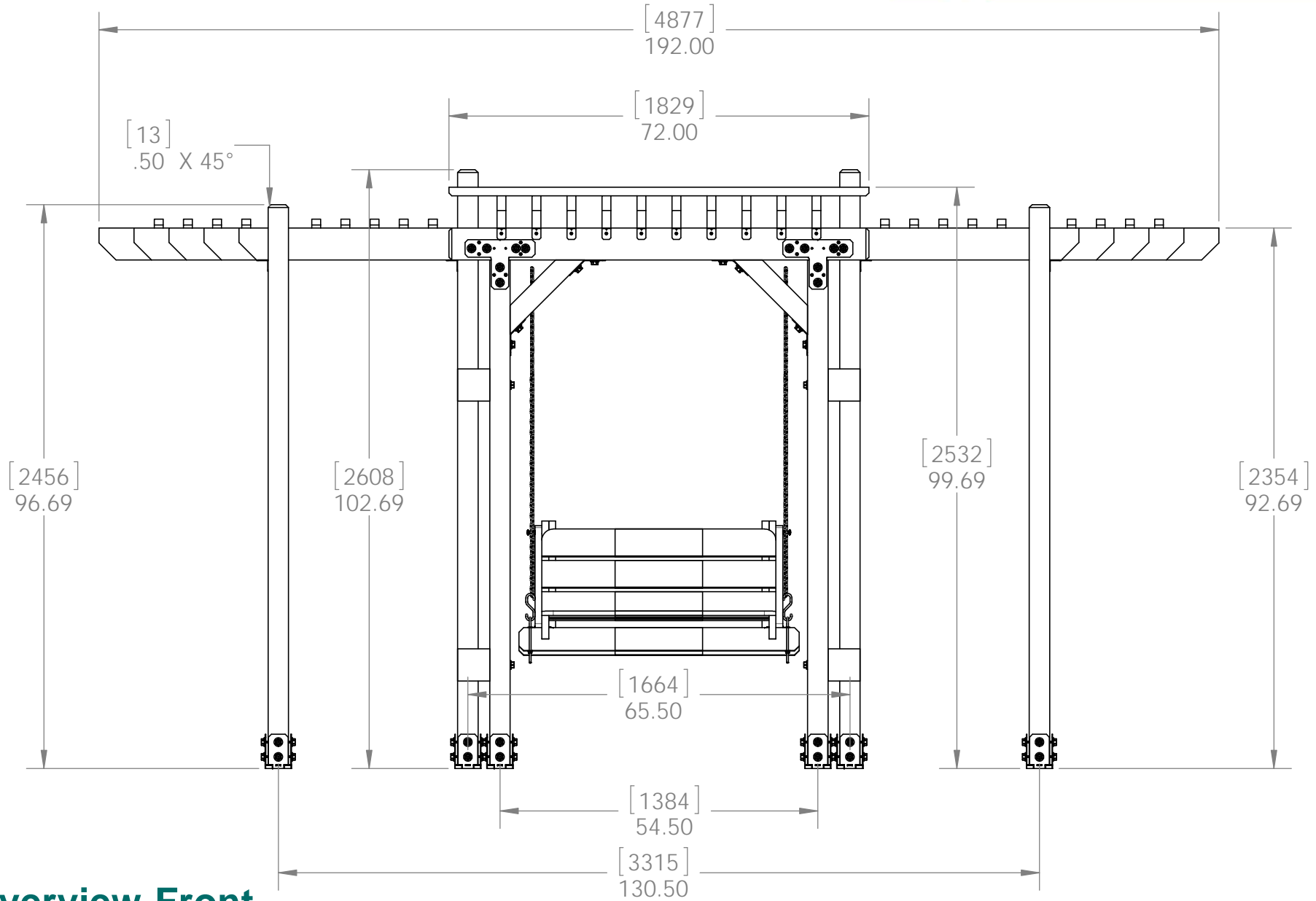


OZCO Project #579 - Porch Pergola with Swing



OZCO BUILDING PRODUCTS ■ ■ ■

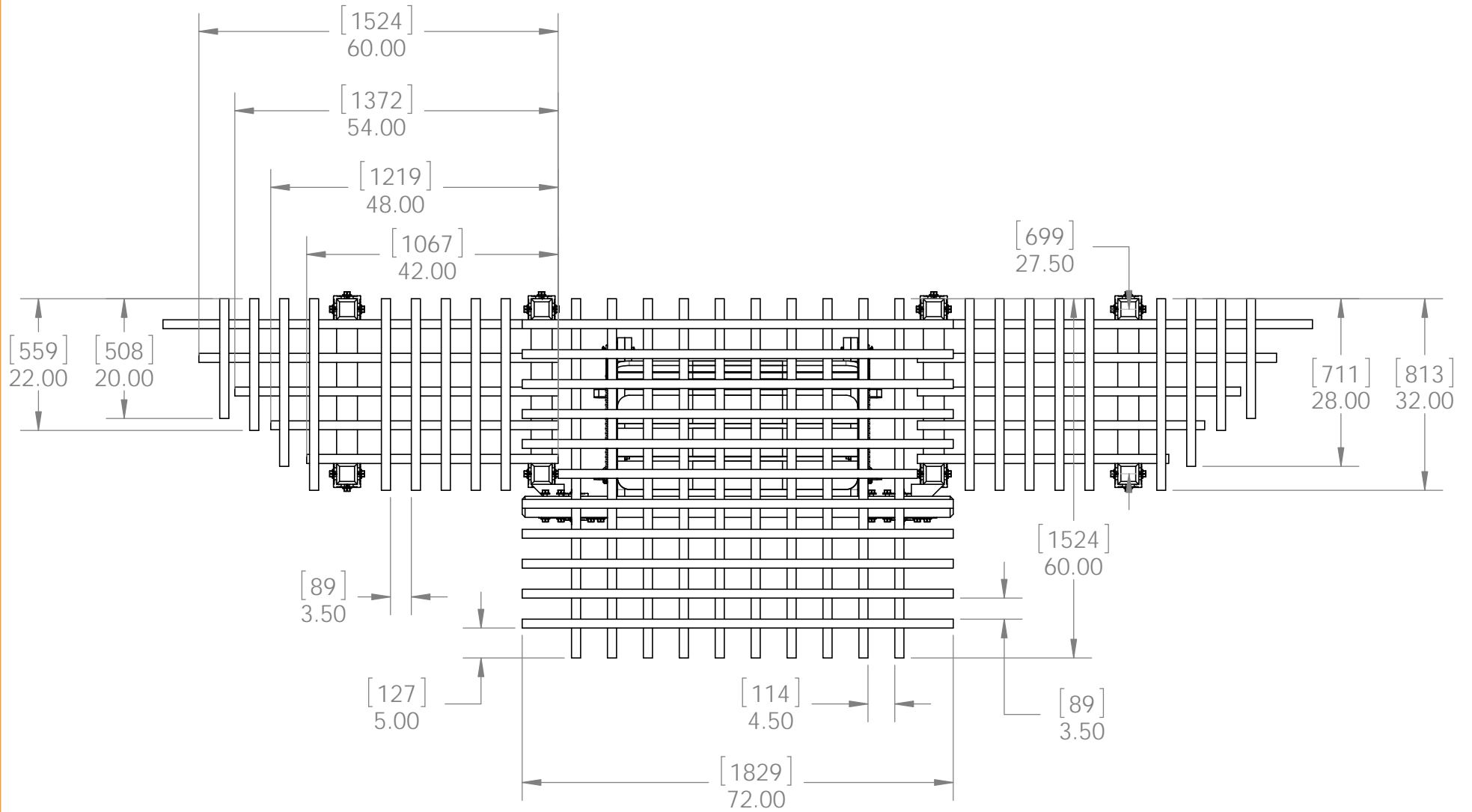
V2.00 - Installation Instructions, Specifications and Project Plans are effective May 1, 2015 and reflects information that available as of April 10, 2014. This information is updated periodically and should not be relied upon after October 15, 2016. Please visit www.OZCOBP.com to get current information.



Overview-Front

OZCO Project #579 - Porch Pergola with Swing

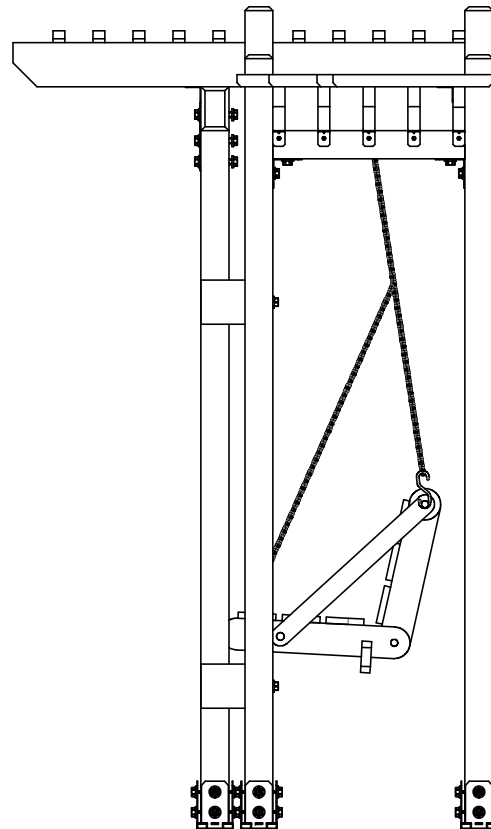
V2.00 - Installation Instructions, Specifications and Project Plans are effective May 1, 2015 and reflects information that available as of April 10, 2014. This information is updated periodically and should not be relied upon after October 15, 2016. Please visit www.OZCOBP.com to get current information.



Overview-Top

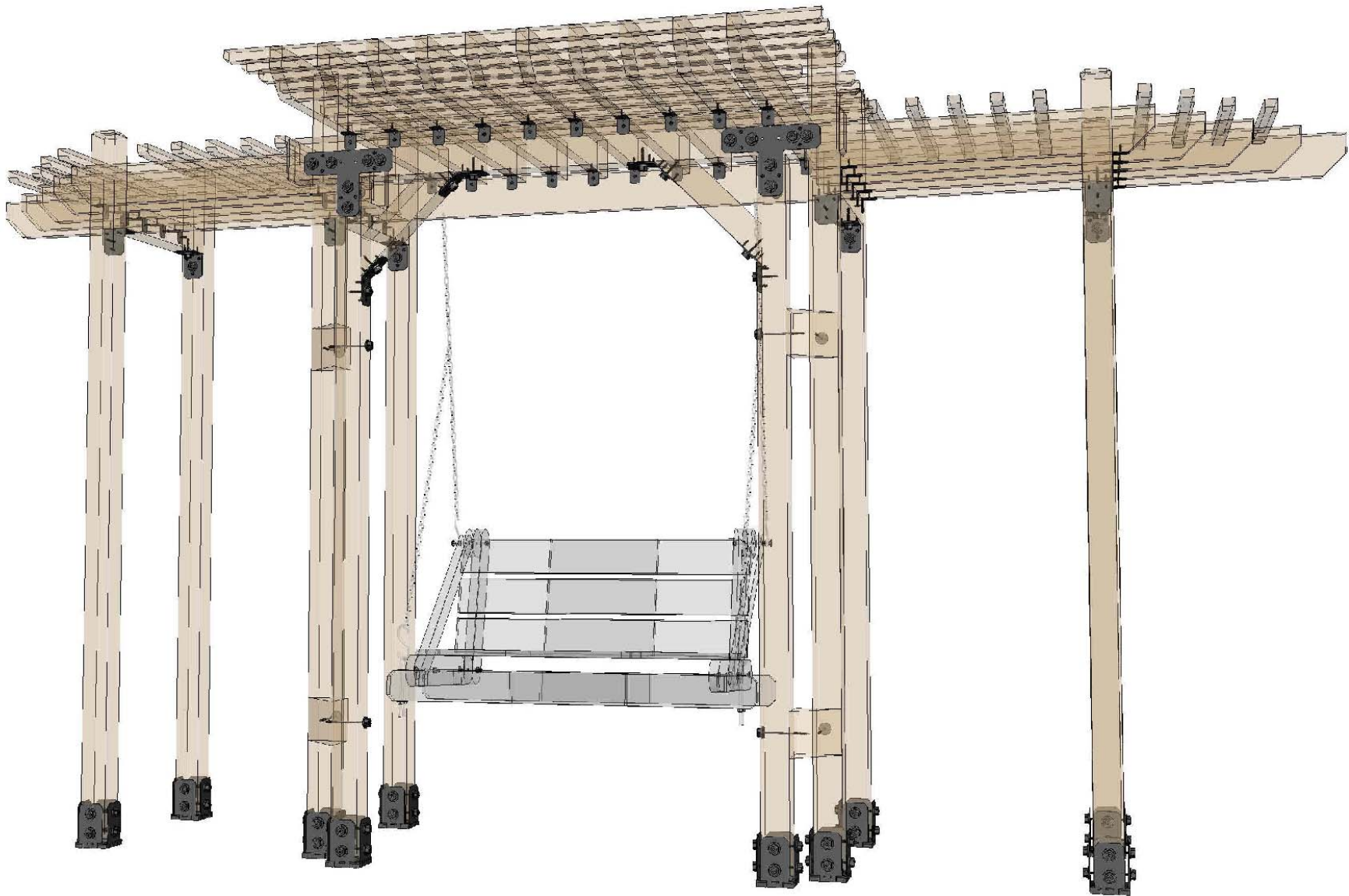
OZCO Project #579 - Porch Pergola with Swing

V2.00 - Installation Instructions, Specifications and Project Plans are effective May 1, 2015 and reflects information that available as of April 10, 2014. This information is updated periodically and should not be relied upon after October 15, 2016. Please visit www.OZCOBP.com to get current information.



Overview-Right

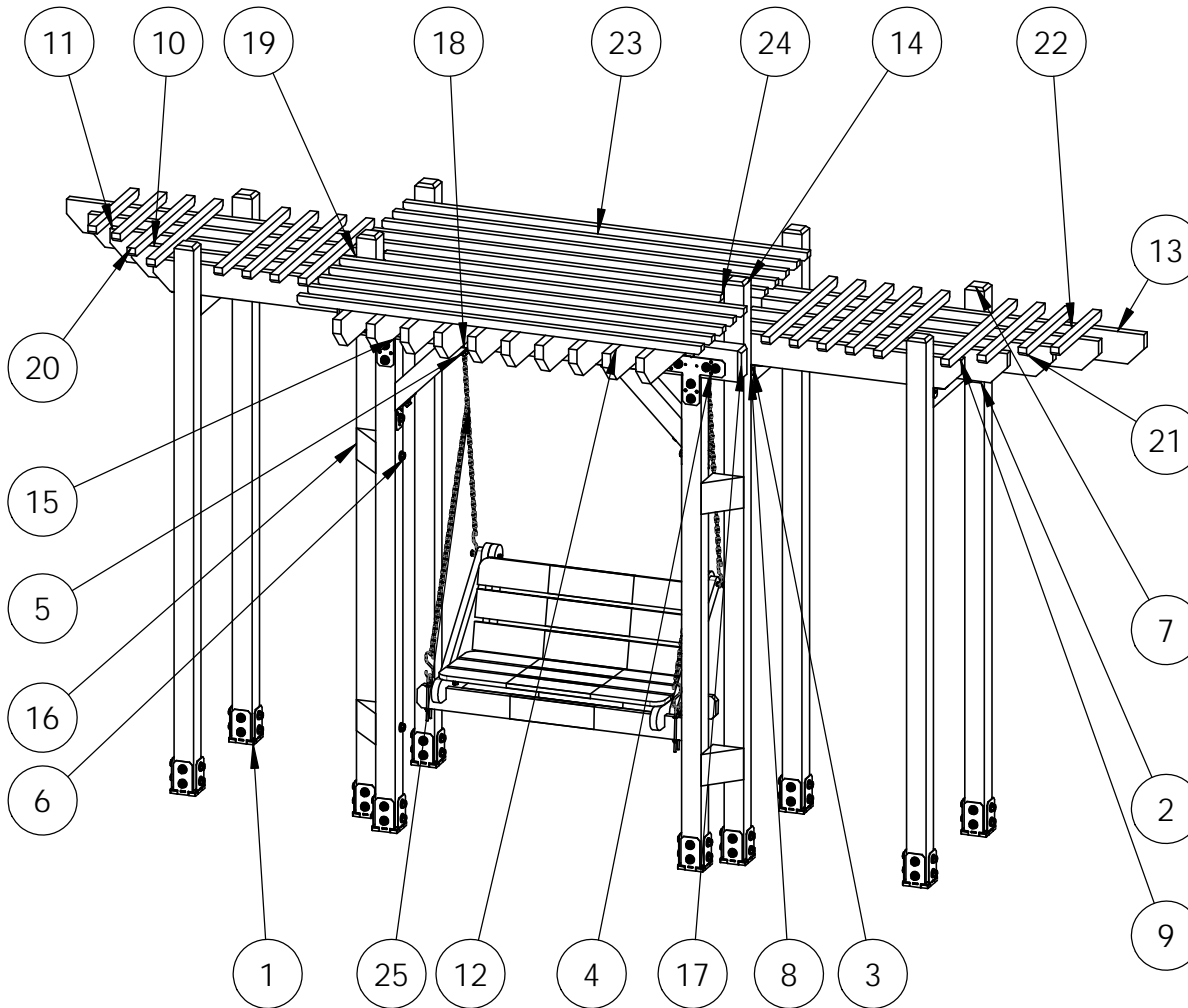
OZCO Project #579 - Porch Pergola with
Swing



Overview-Transparent

OZCO Project #579 - Porch Pergola with
Swing

V2.00 - Installation Instructions, Specifications and Project Plans are effective May 1, 2015 and reflects information that available as of April 10, 2014. This information is updated periodically and should not be relied upon after October 15, 2016. Please visit www.OZCOBP.com to get current information.



ITEM NO.	QTY.	PART NUMBER	DESCRIPTION
1	10	51707	4x4 Post Base (4x4-PB-IW)
2	0.8	56618	4" Standard Rafter Clip (RC-IW-4)
3	4	51717	2" Standard Rafter Clip (RC-IW-2)
4	2	51767	T-Tie 4" Plate (TTP-IW-4)
	4	56649	OWT Timber Bolt 4-6"
5	1	51768	4" Flush Inside 45 (FI45-IW-4)
6	0.8	56621	1 1/2" Hex Cap Nut (HCN)
	0.04	56628	Screw, OWT 5-3/4" (145mm) Timber
7	4	4x4 Post	4x4x96.00
8	4	4x4 Post	4x4x24.00
9	2	2x6 Board	2x6x42.00
10	2	2x6 Board	2x6x48.00
11	2	2x6 Board	2x6x54.00
12	12	2x6 Board	2x6x60.00
13	1	2x6 Board	2x6x192.00
14	4	4x4 Post	4x4x102.00
15	2	4x4 Post	4x4x86.50
16	4	6x6 Cedar Support	6x6x5.50
17	1	4x6 Board	4x6x72.00
18	2	4x4 Support	4x4x18.00
19	12	2x2 Board	2x2x32.00
20	2	2x2 Board	2x2x28.00
21	2	2x2 Board	2x2x22.00
22	2	2x2 Board	2x2x20.00
23	10	2x2 Board	2x2x72.00
24	1	2x2 Board	2x2x60.00
25	1	swing1	Swing, Porch

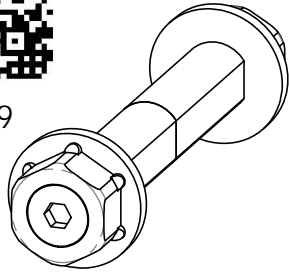
Bill of Materials

OZCO Project #579 - Porch Pergola with Swing

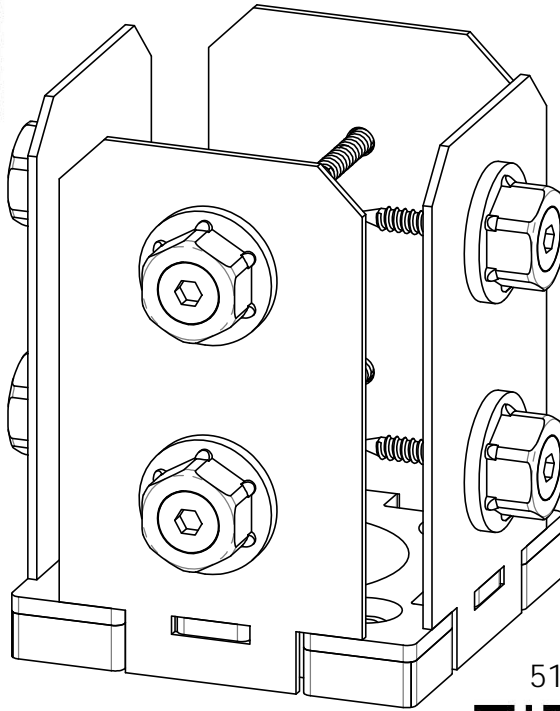
V2.00 - Installation Instructions, Specifications and Project Plans are effective May 1, 2015 and reflects information that available as of April 10, 2014. This information is updated periodically and should not be relied upon after October 15, 2016. Please visit www.OZCOBP.com to get current information.



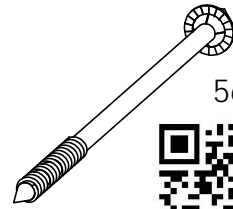
56649



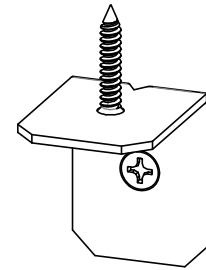
51707



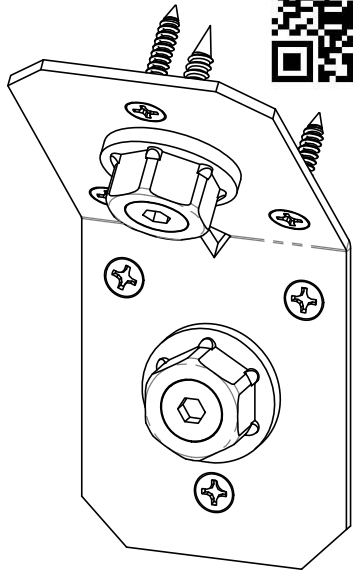
51768



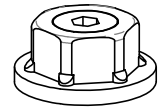
56628



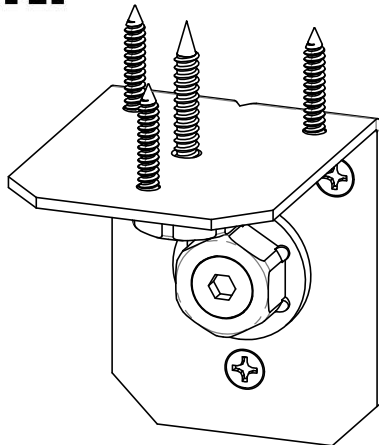
51717



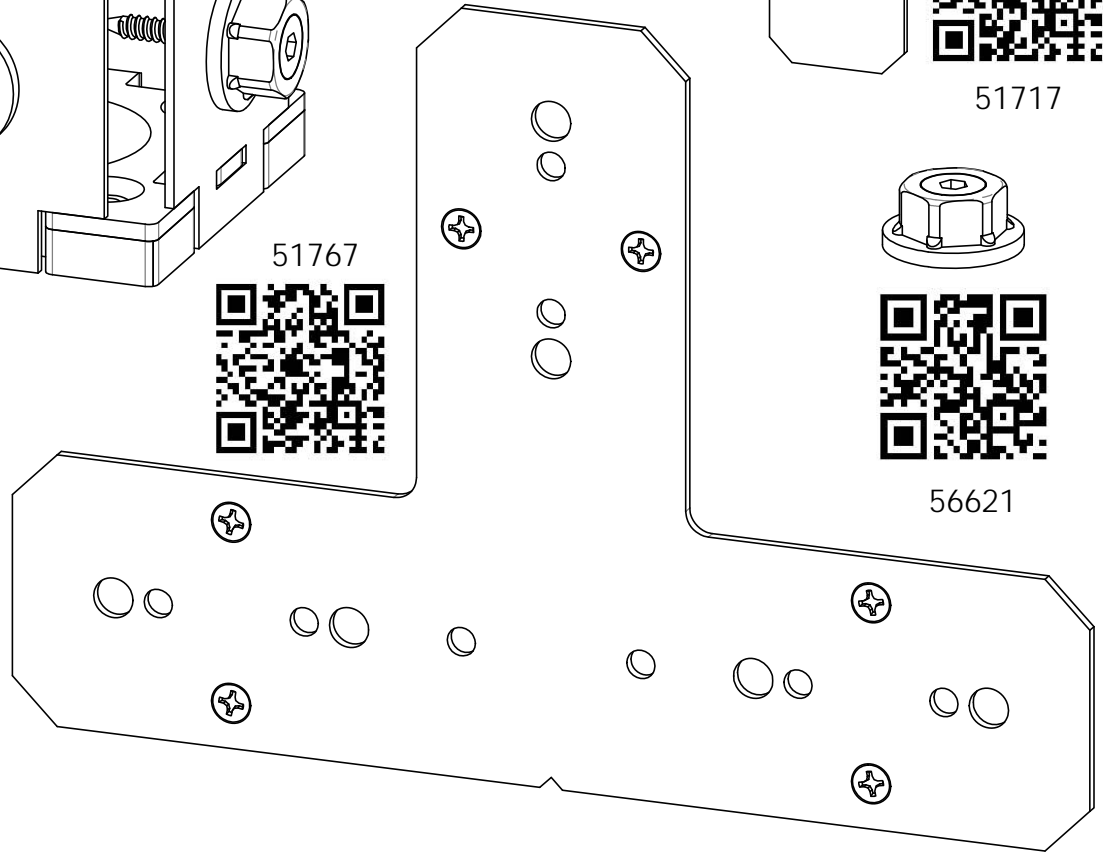
51767



56621



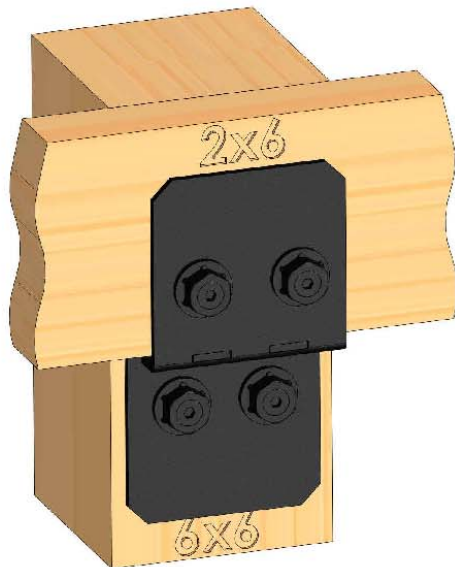
51718



Laredo Sunset

vs.

Ironwood



Ironwood
(517XX series)

2 great styles
same functionality



Laredo Sunset
(566XX series)

choose your connection lifestyle

both styles available for most products



OZCO BUILDING PRODUCTS