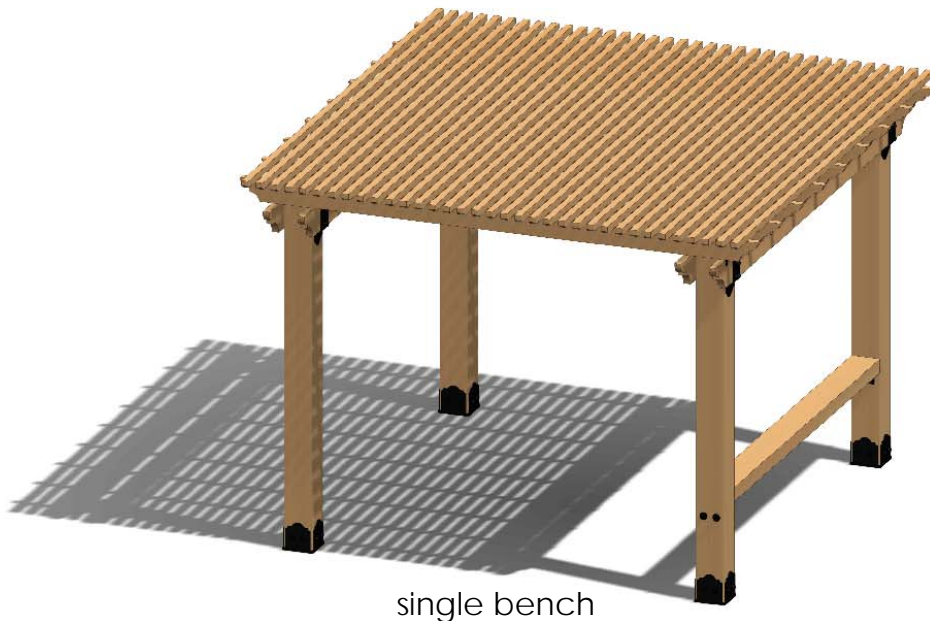


OZCO Project #532 - Pergola or Pavilion Bench



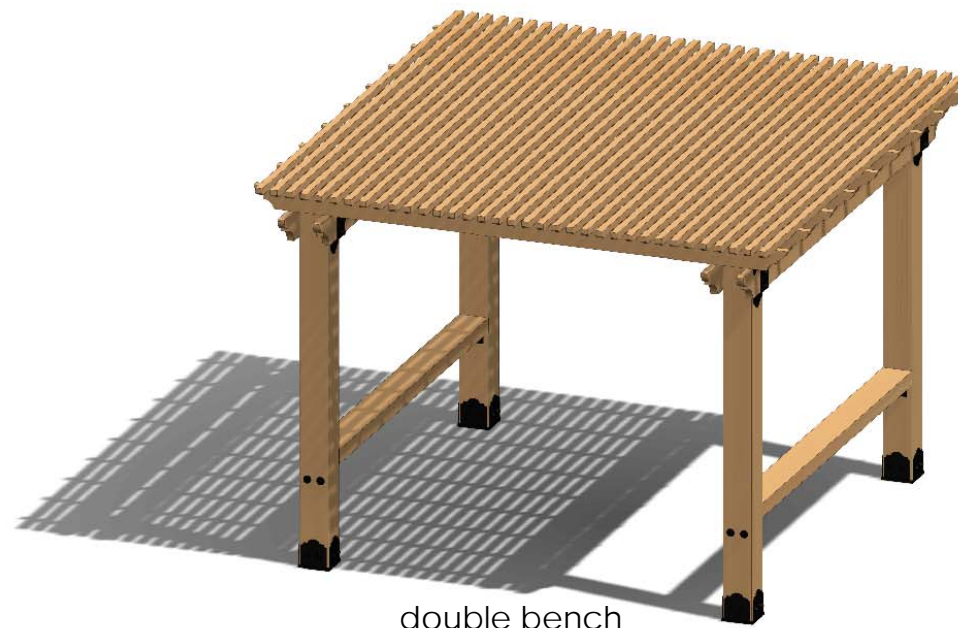
single bench

Add value to your structure with a sitting bench!

- Increases structural stability
- Easy to install
- Multi-functional

Project #310 (8x8 posts) shown

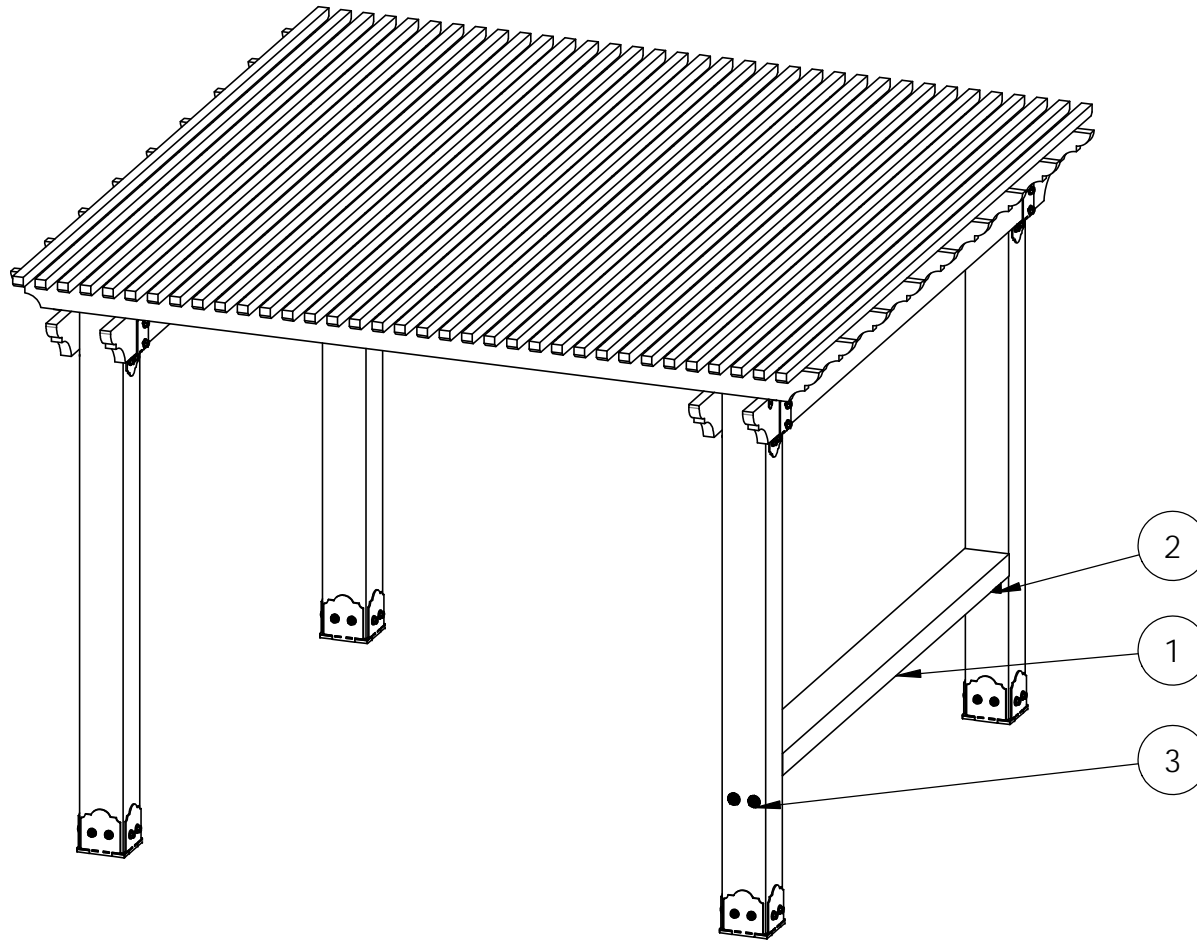
This project serves as a guideline for all Pergola & Pavilion structures. Changes to bill of material will be necessary to match your structure.



double bench



OZCO BUILDING PRODUCTS

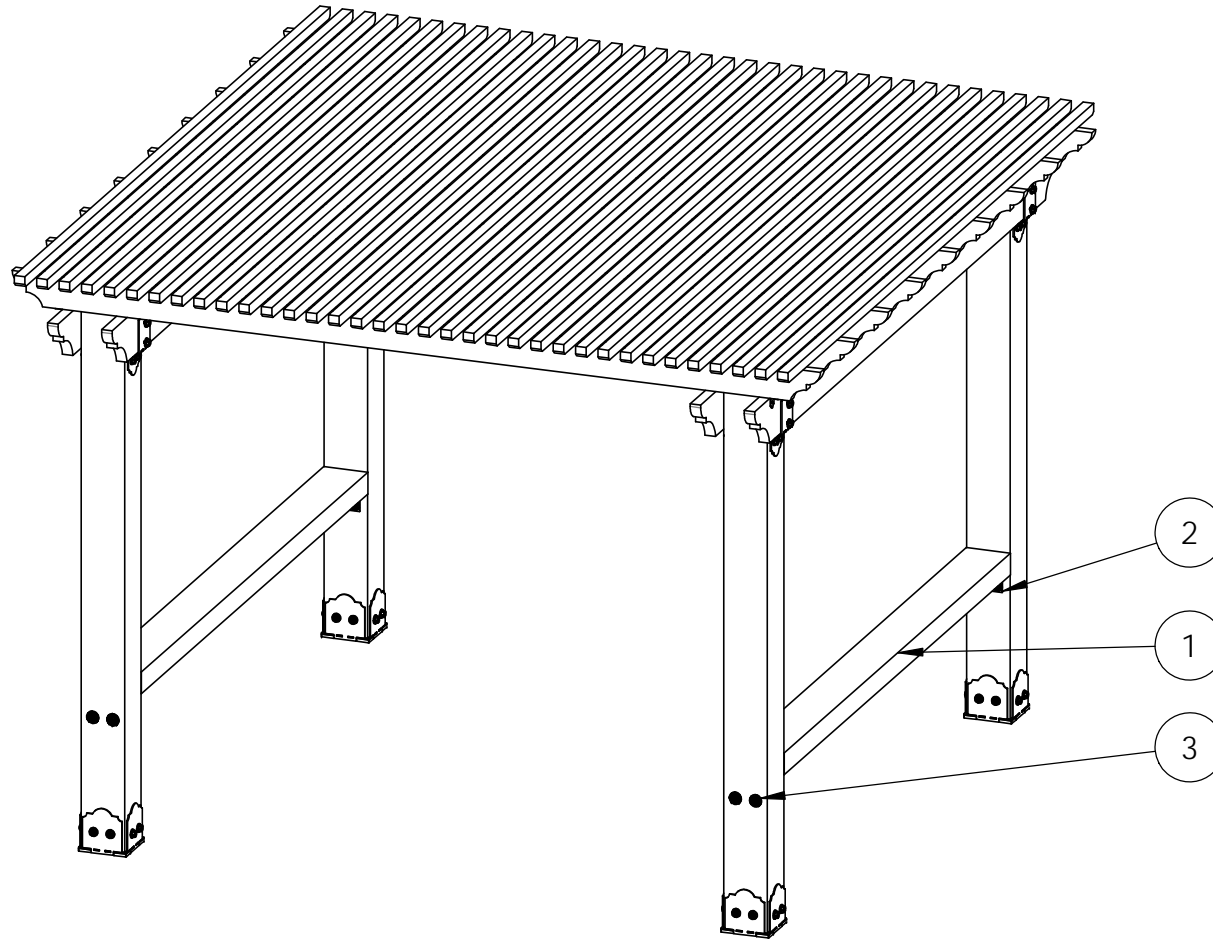


ITEM NO.	QTY.	PART NUMBER	DESCRIPTION
1	1	4x8 Cedar Board	4x8x106.75
2	1	56615	Flush Inside 90 (FI-90)
3	2	56650	OWT Timber Bolt 6-8"
	0.25	56680	2" Timber Bolt Heavy Duty Washer (OWT-TBW-2)
4	0.32	56626	OWT Timber Screw 2-3/4"

- board length varies depending on structure.
- item 4 will be shown later in this document

Single Bench

OZCO Project #532 - Pergola or Pavilion Bench

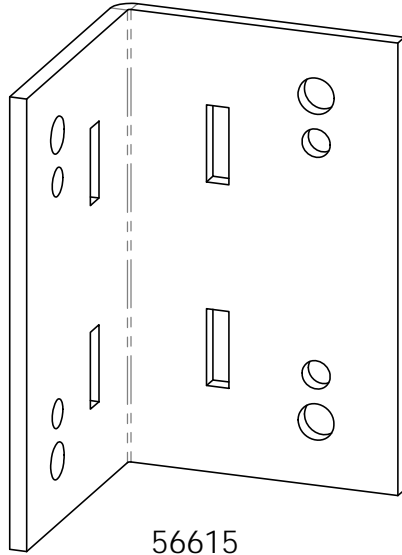


ITEM NO.	QTY.	PART NUMBER	DESCRIPTION
1	2	4x8 Cedar Board	4x8x106.75
2	2	56615	Flush Inside 90 (FI-90)
3	4	56650	OWT Timber Bolt 6-8"
	0.25	56680	2" Timber Bolt Heavy Duty Washer (OWT-TBW-2)
4	0.64	56626	OWT Timber Screw 2-3/4"

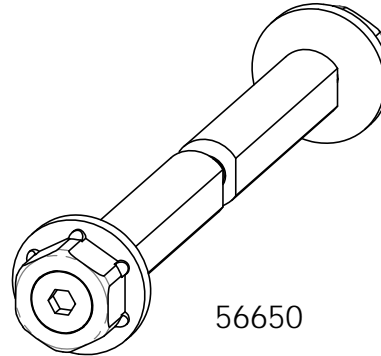
- board length varies depending on structure.
- item 4 will be shown later in this document

Double Bench

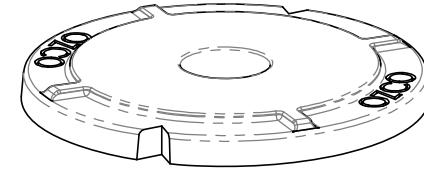
OZCO Project #532 - Pergola or Pavilion Bench



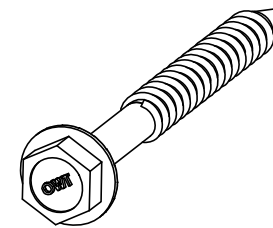
56615



56650

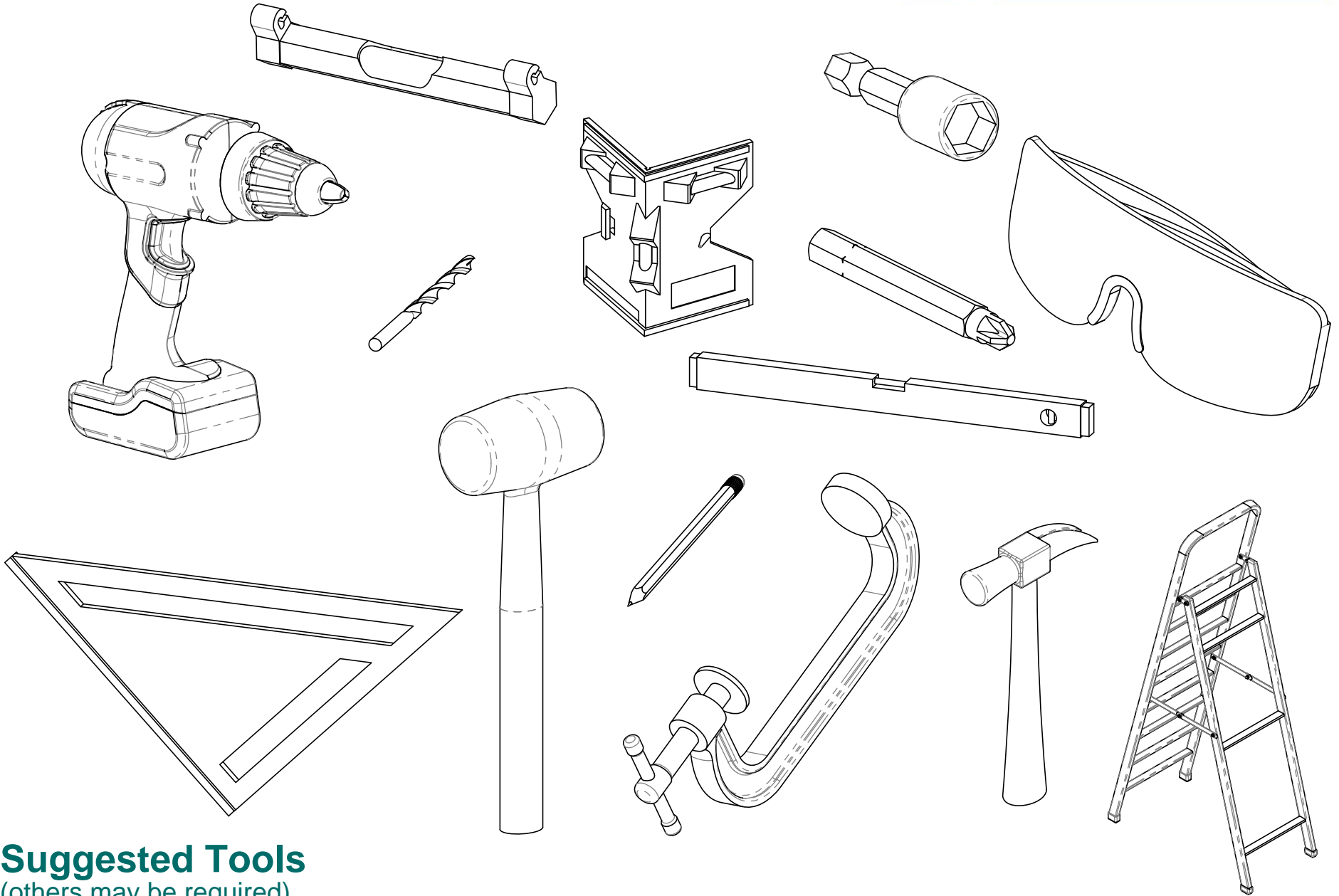


56680



56626



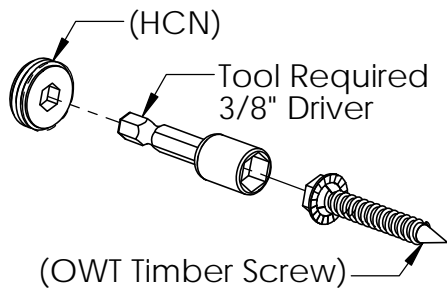
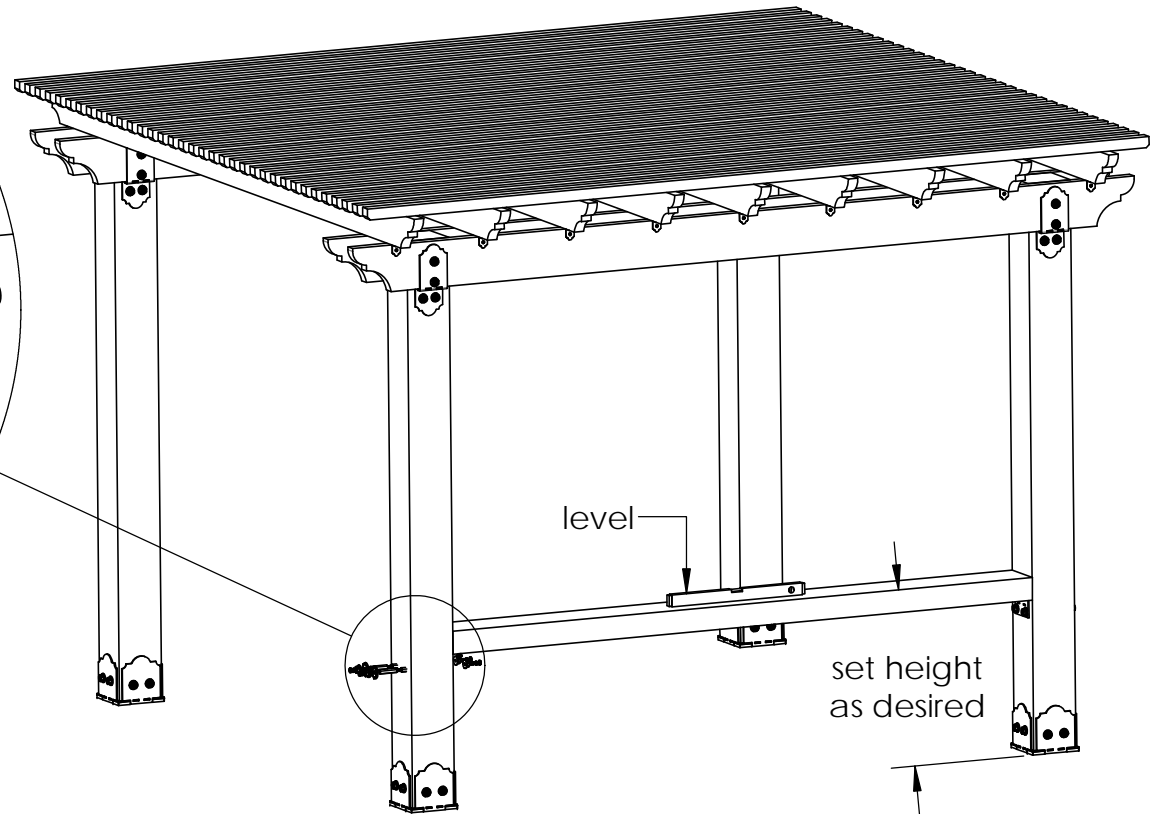
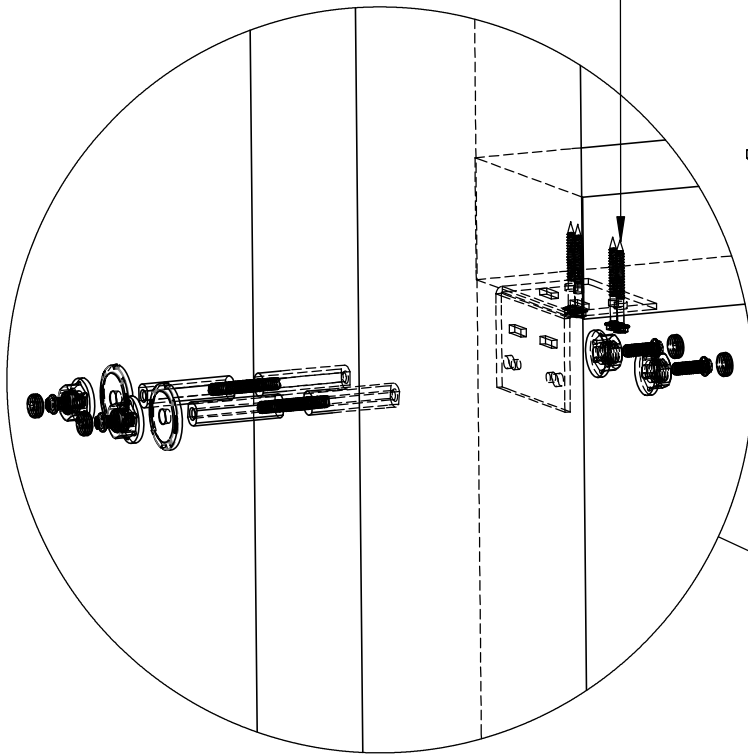


Suggested Tools

(others may be required)

OZCO Project #532 - Pergola or Pavilion
Bench

optional 4 screw installation;
only 2 are necessary



step 1

OZCO Project #532 - Pergola or Pavilion Bench