

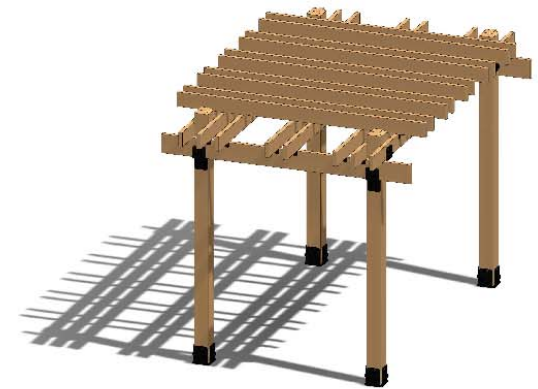
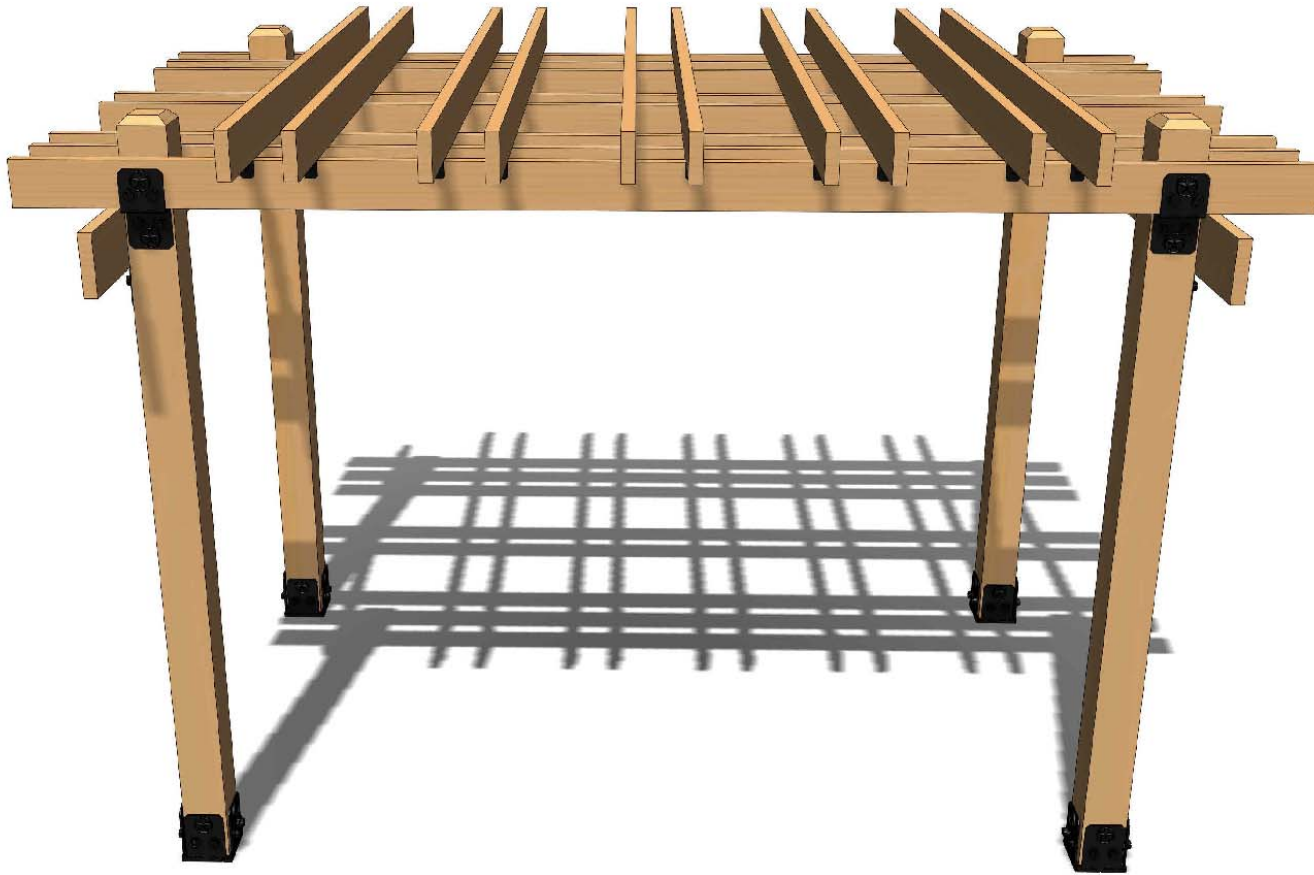
DESIGN

PURCHASE

CONSTRUCT

ENJOY

## OZCO Project #296 - Pergola Inset Rafters with 6x6 Posts



OZCO BUILDING PRODUCTS

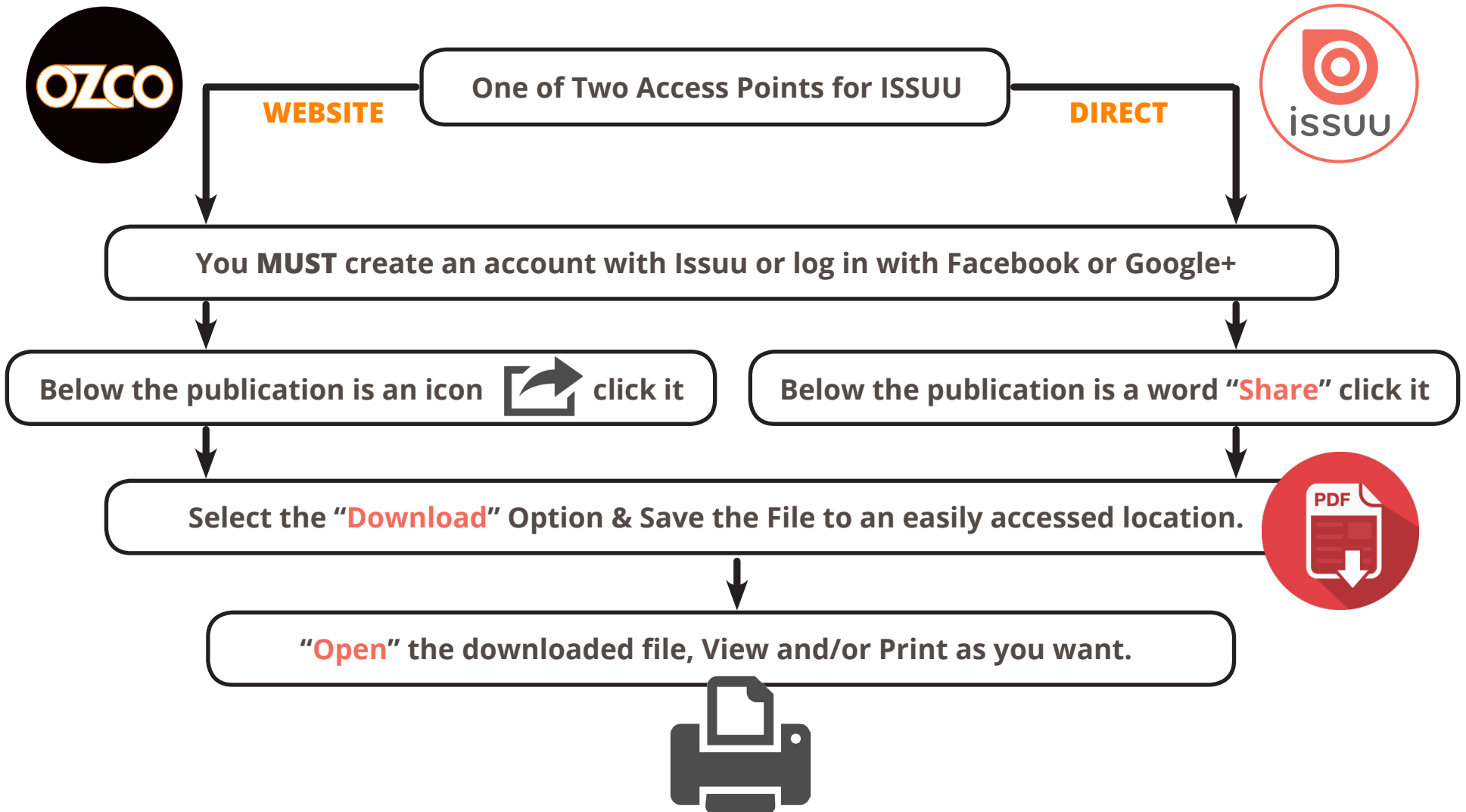
OZCO Project #296 - Pergola Inset Rafters with 6x6 Posts

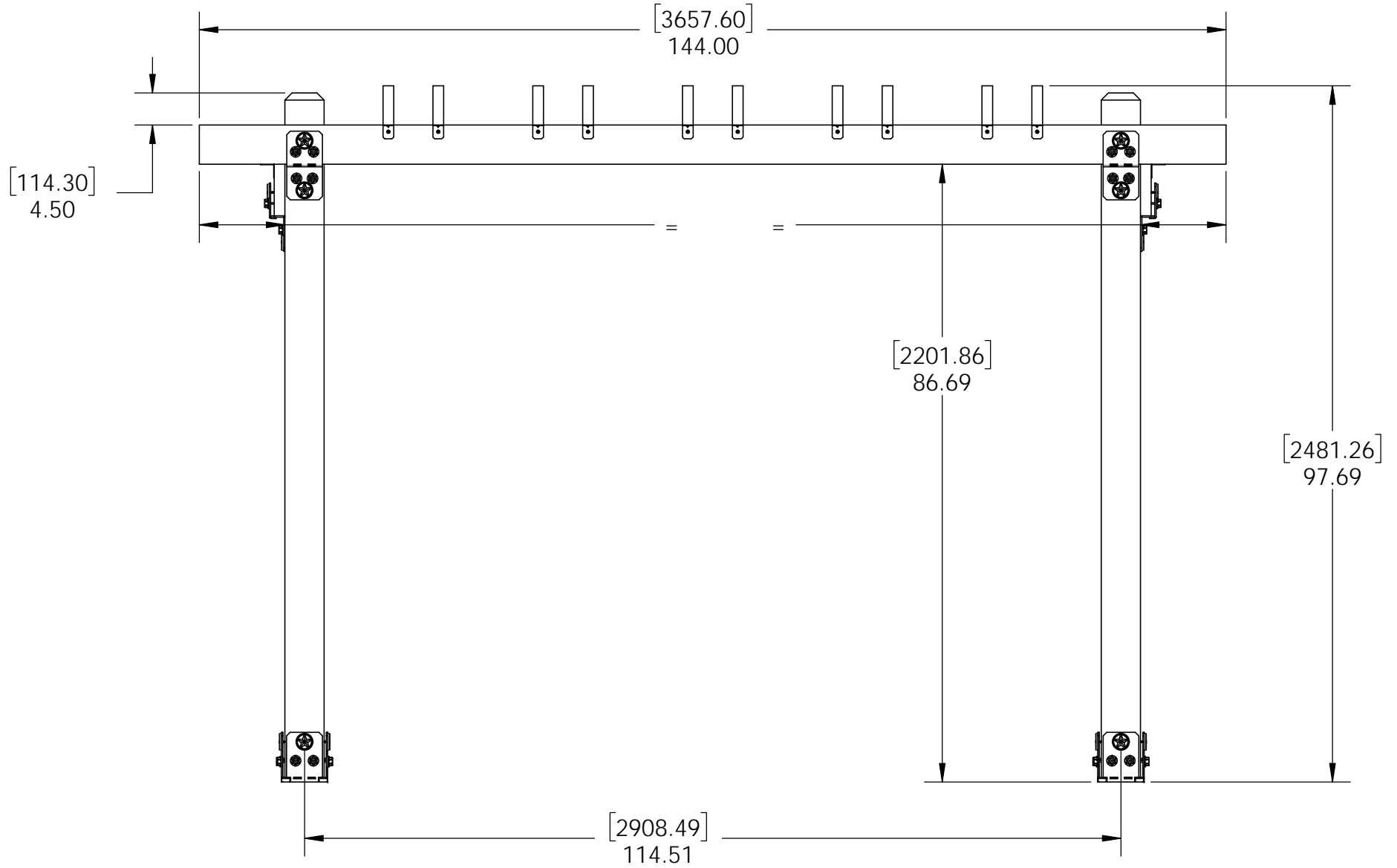
V2.00 - Installation Instructions, Specifications and Project Plans are effective May 1, 2015 and reflects information that available as of April 10, 2014. This information is updated periodically and should not be relied upon after October 15, 2016. Please visit [www.OZCOBP.com](http://www.OZCOBP.com) to get current information.



# Printing Documents from ISSUU

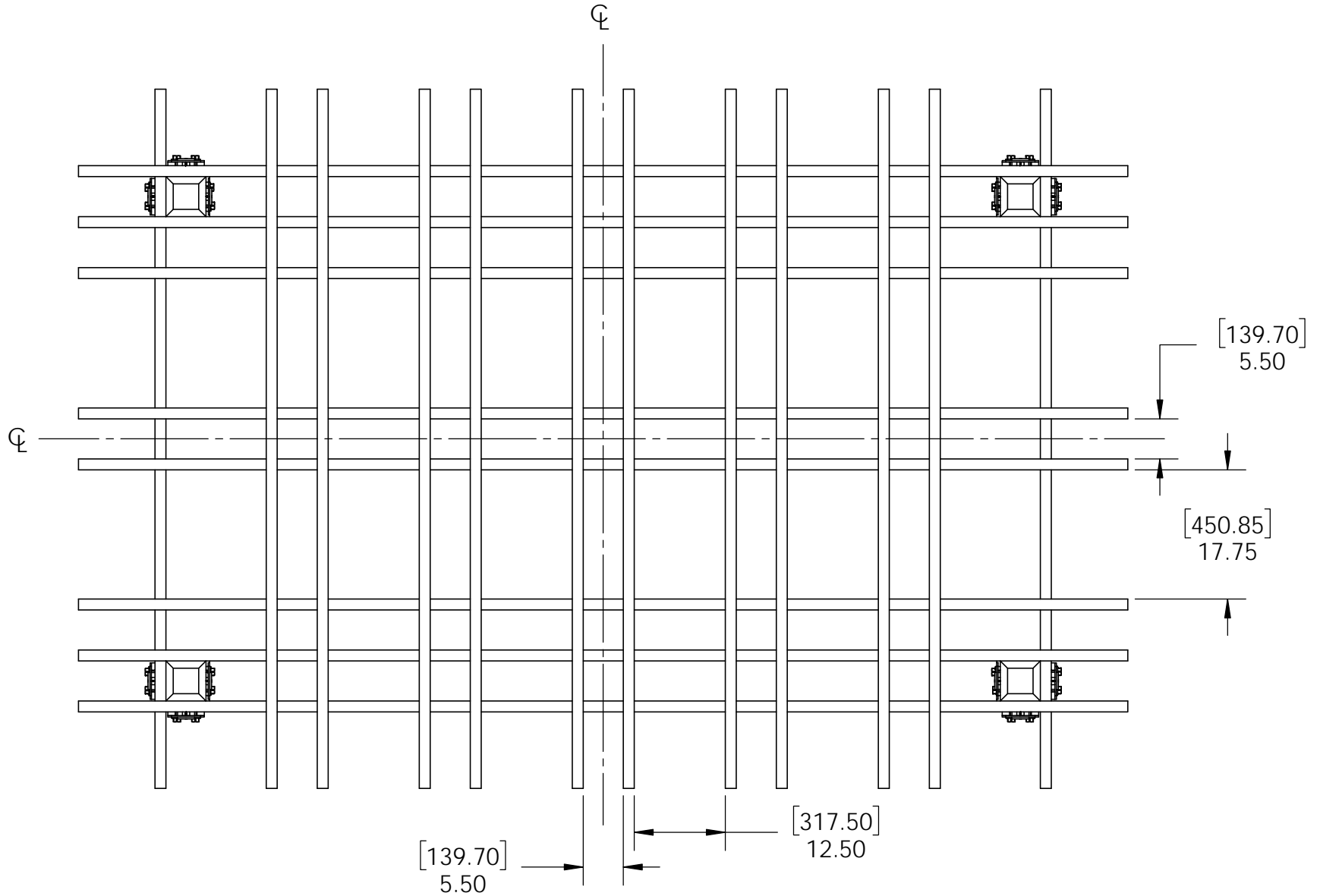
Unfortunately, there is currently no way to print content directly through issuu. To print a publication, you will need to download it and print it from your computer.





## Overview-Front

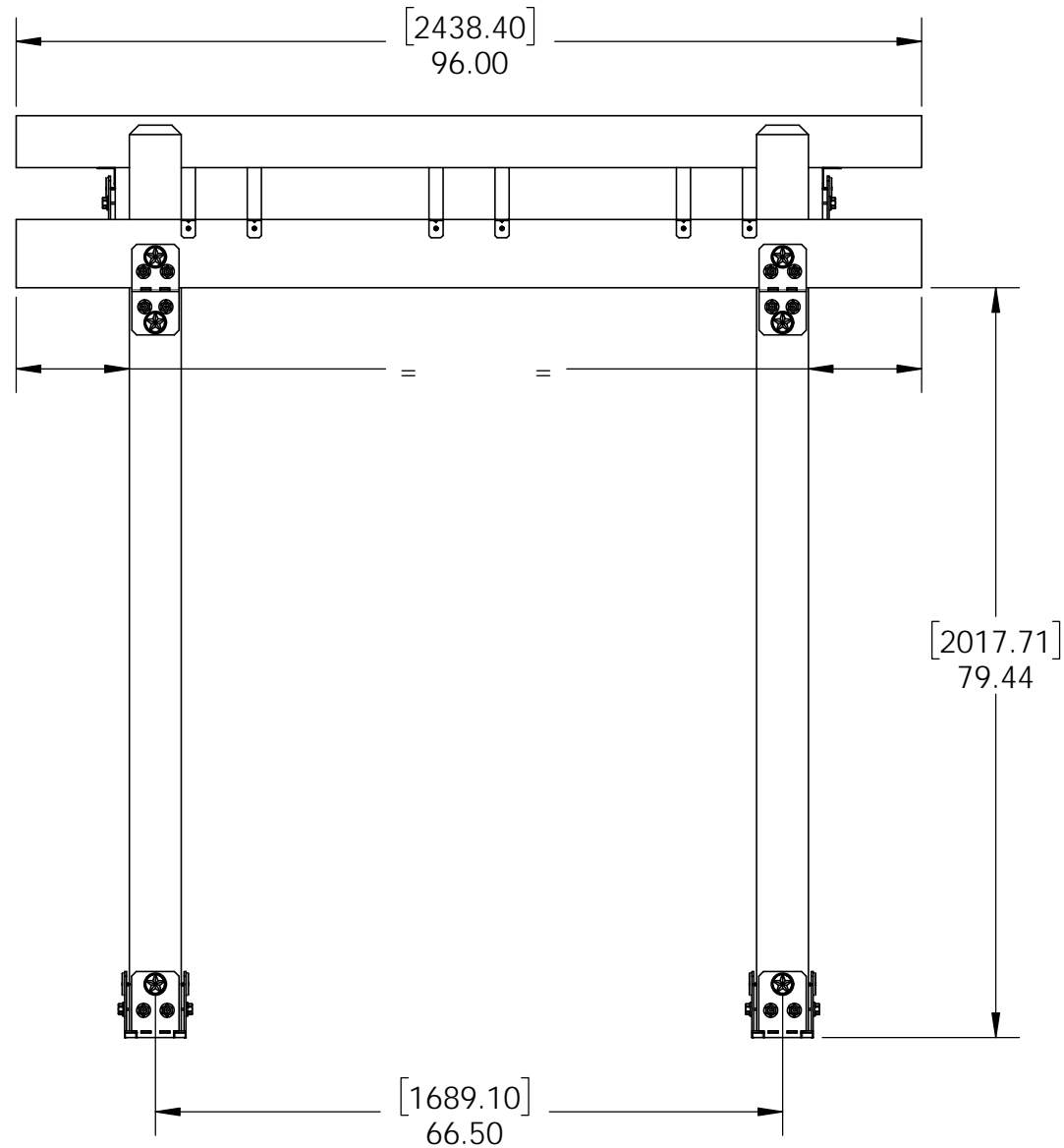
OZCO Project #296 - Pergola Inset Rafters with 6x6 Posts



## Overview-Top

OZCO Project #296 - Pergola Inset Rafters with 6x6 Posts

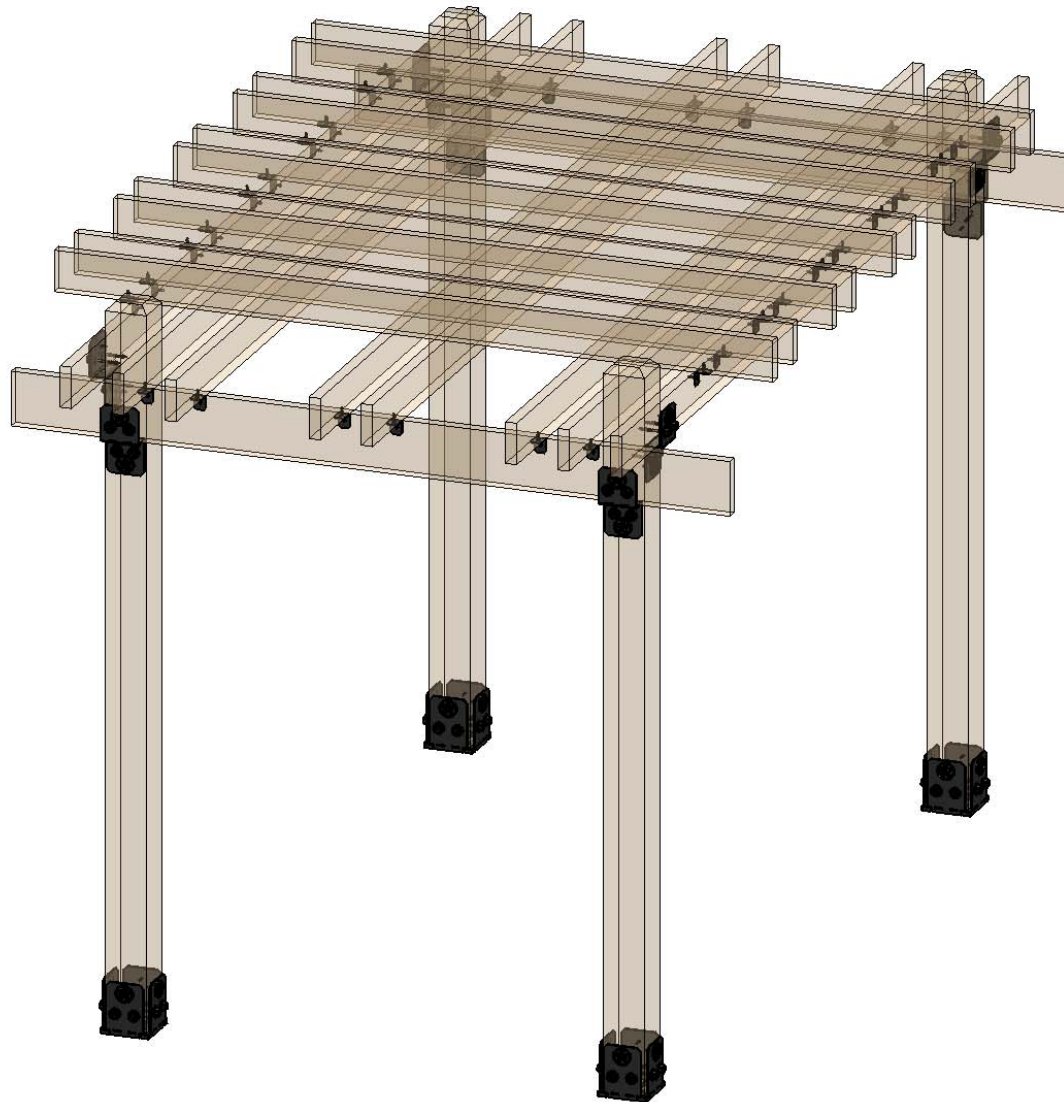
V2.00 - Installation Instructions, Specifications and Project Plans are effective May 1, 2015 and reflects information that available as of April 10, 2014. This information is updated periodically and should not be relied upon after October 15, 2016. Please visit [www.OZCOBP.com](http://www.OZCOBP.com) to get current information.



## Overview-Right

OZCO Project #296 - Pergola Inset Rafters with 6x6 Posts

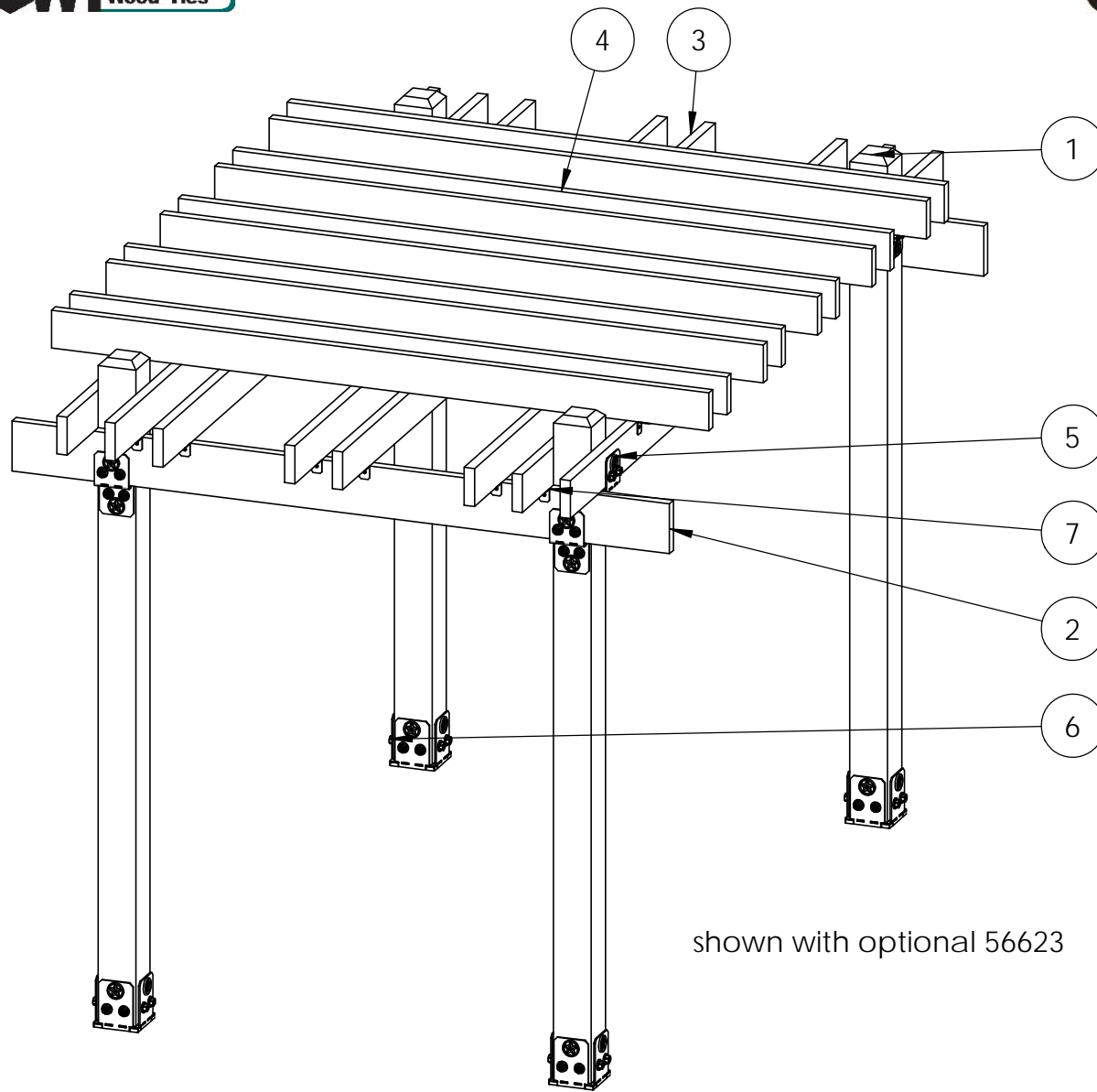
V2.00 - Installation Instructions, Specifications and Project Plans are effective May 1, 2015 and reflects information that available as of April 10, 2014. This information is updated periodically and should not be relied upon after October 15, 2016. Please visit [www.OZCOBP.com](http://www.OZCOBP.com) to get current information.



## Overview-Transparent

**OZCO Project #296 - Pergola Inset Rafters  
with 6x6 Posts**

V2.00 - Installation Instructions, Specifications and Project Plans are effective May 1, 2015 and reflects information that available as of April 10, 2014. This information is updated periodically and should not be relied upon after October 15, 2016. Please visit [www.OZCOBP.com](http://www.OZCOBP.com) to get current information.

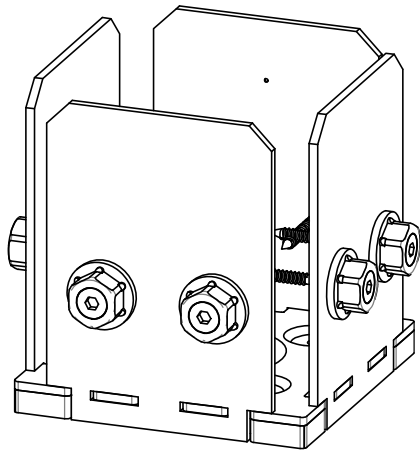


shown with optional 56623

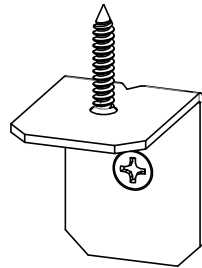
| ITEM NO. | QTY. | PART NUMBER | DESCRIPTION                       |
|----------|------|-------------|-----------------------------------|
| 1        | 4    | 6x6 Post    | 6X6X96.00                         |
| 2        | 2    | 2x8 Board   | 2x8x96.00                         |
| 3        | 8    | 2x6 Board   | 2x6x144.00                        |
| 4        | 10   | 2x6 Board   | 2x6x96.00                         |
| 5        | 4    | 51735       | 6" Post to Beam (P2B-IW-6)        |
| 6        | 4    | 51708       | 6x6 Post Base (6x6-PB-IW)         |
| 7        | 3.2  | 51717       | 2" Standard Rafter Clip (RC-IW-2) |

## Bill of Material

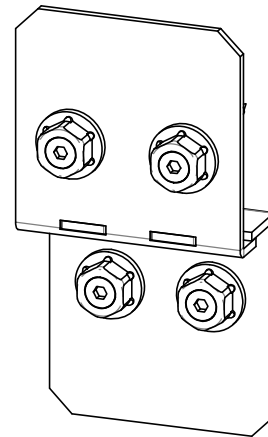
OZCO Project #296 - Pergola Inset Rafters with 6x6 Posts



51708



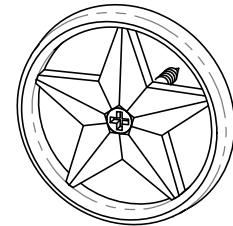
51717



51735



56623  
(optional  
accessory to  
51708 & 51735)

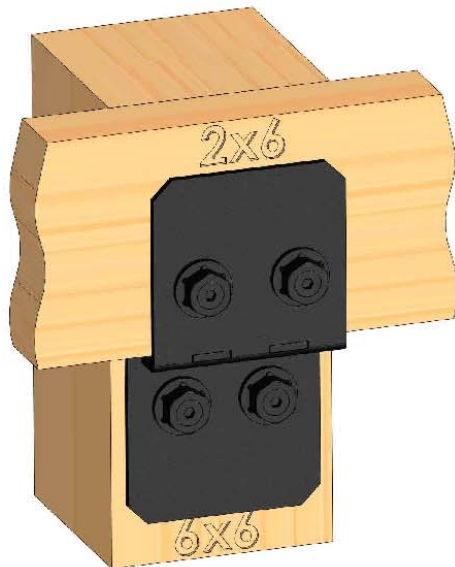




# Laredo Sunset

vs.

# Ironwood



Ironwood  
(517XX series)

2 great styles  
same functionality



Laredo Sunset  
(566XX series)

choose your connection lifestyle

both styles available for most products



OZCO BUILDING PRODUCTS