

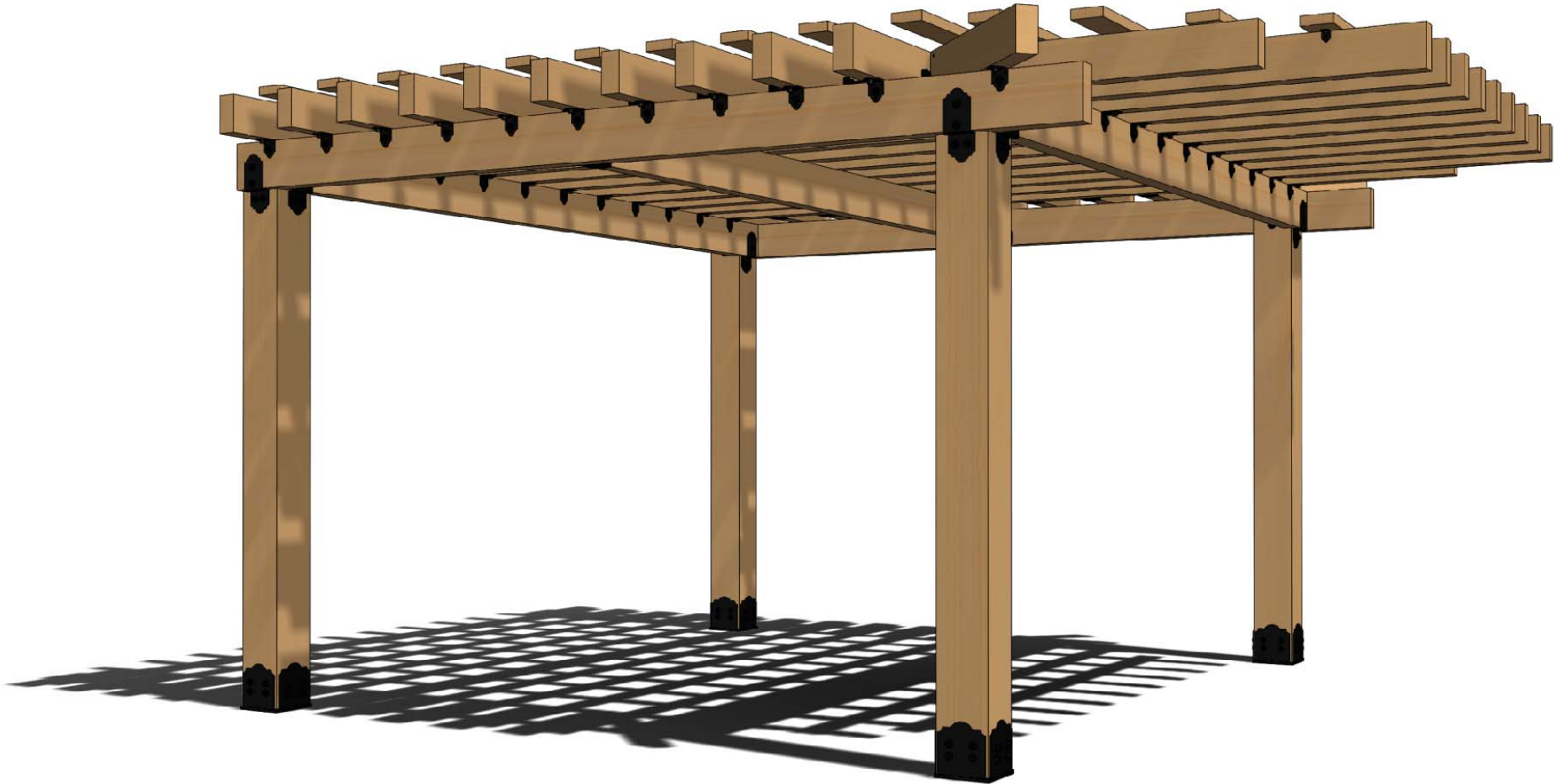
DESIGN

PURCHASE

CONSTRUCT

ENJOY

OZCO Project #280 - Pergola with Overhang

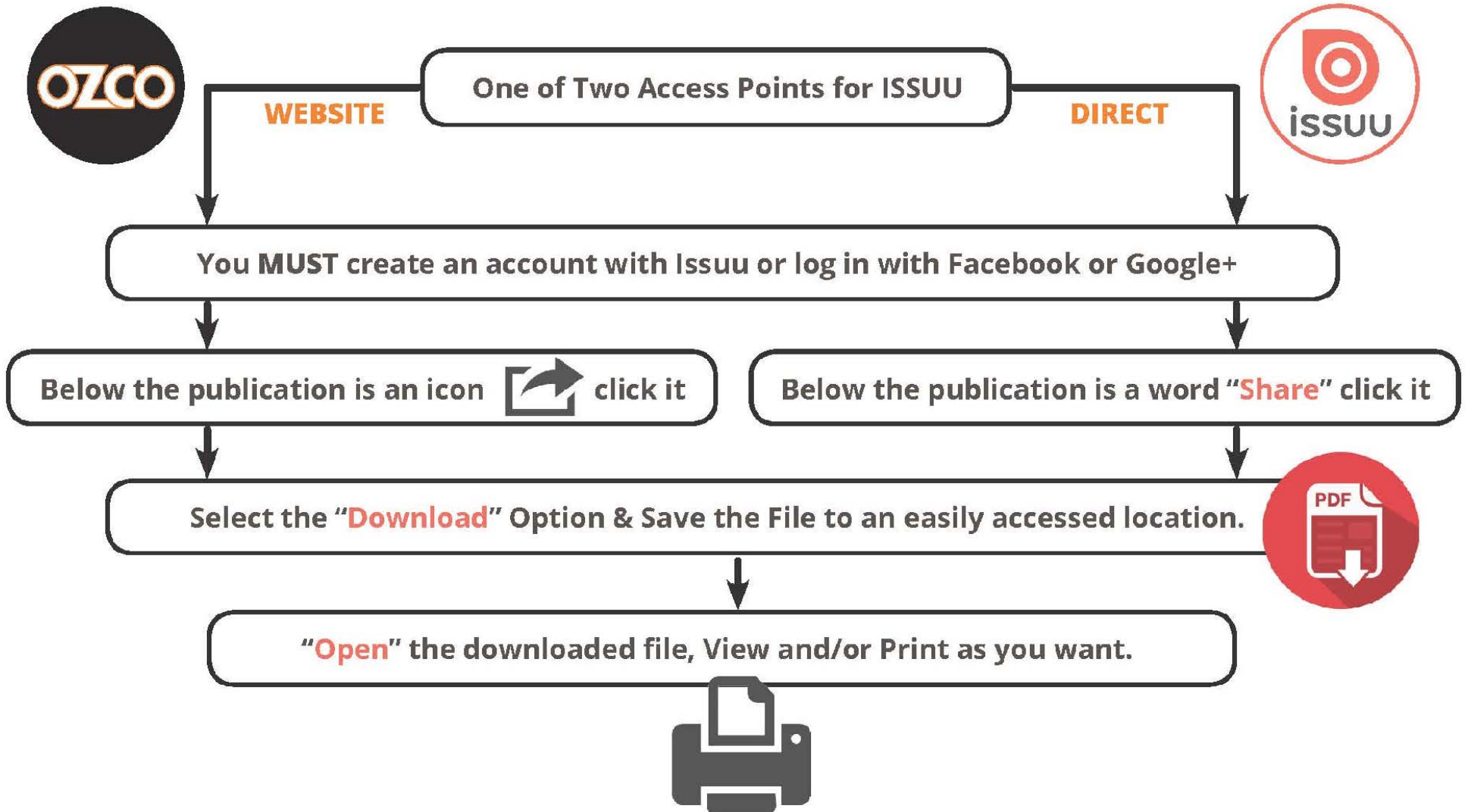


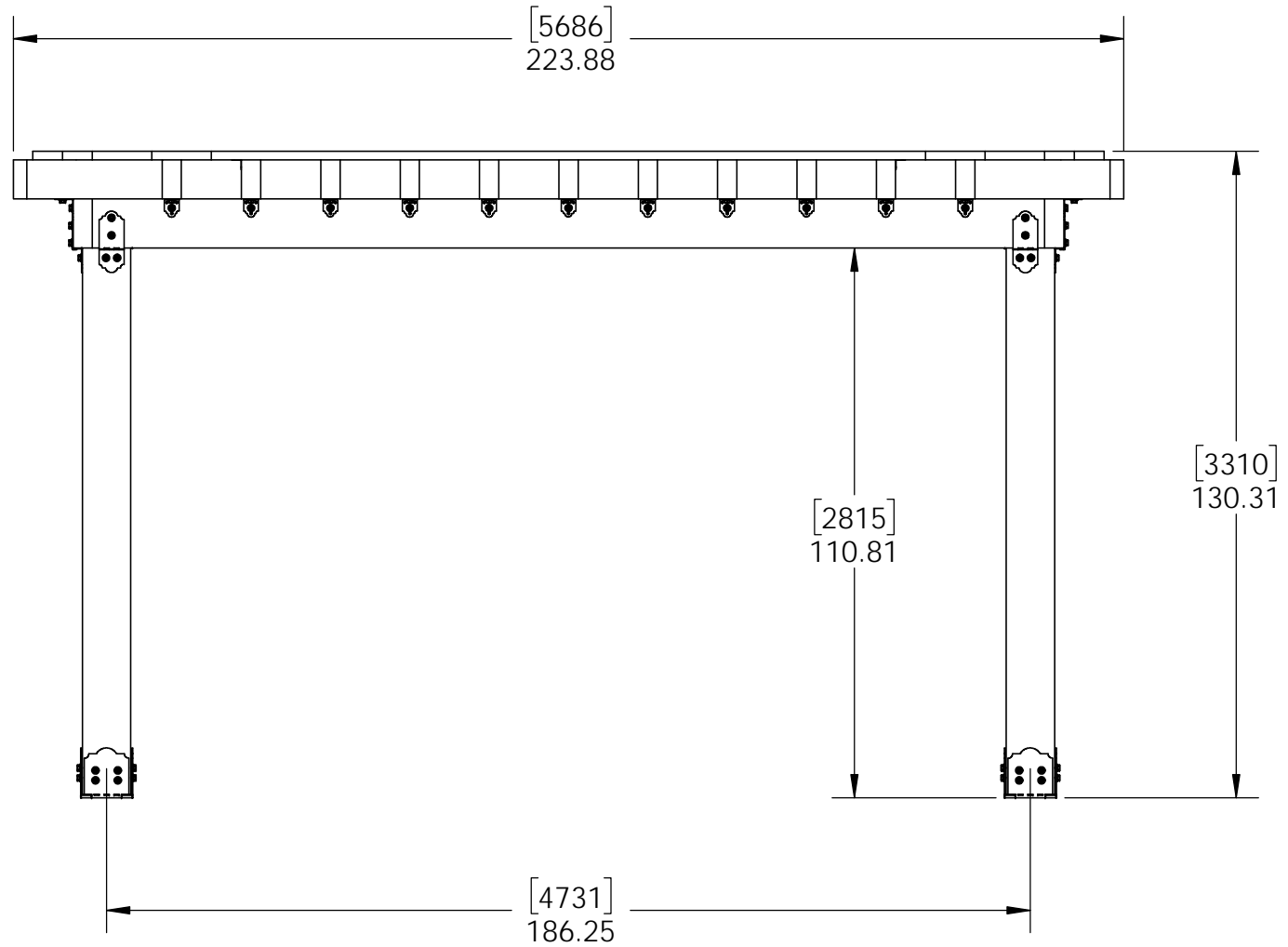
OZCO BUILDING PRODUCTS ■ ■ ■



Printing Documents from ISSUU

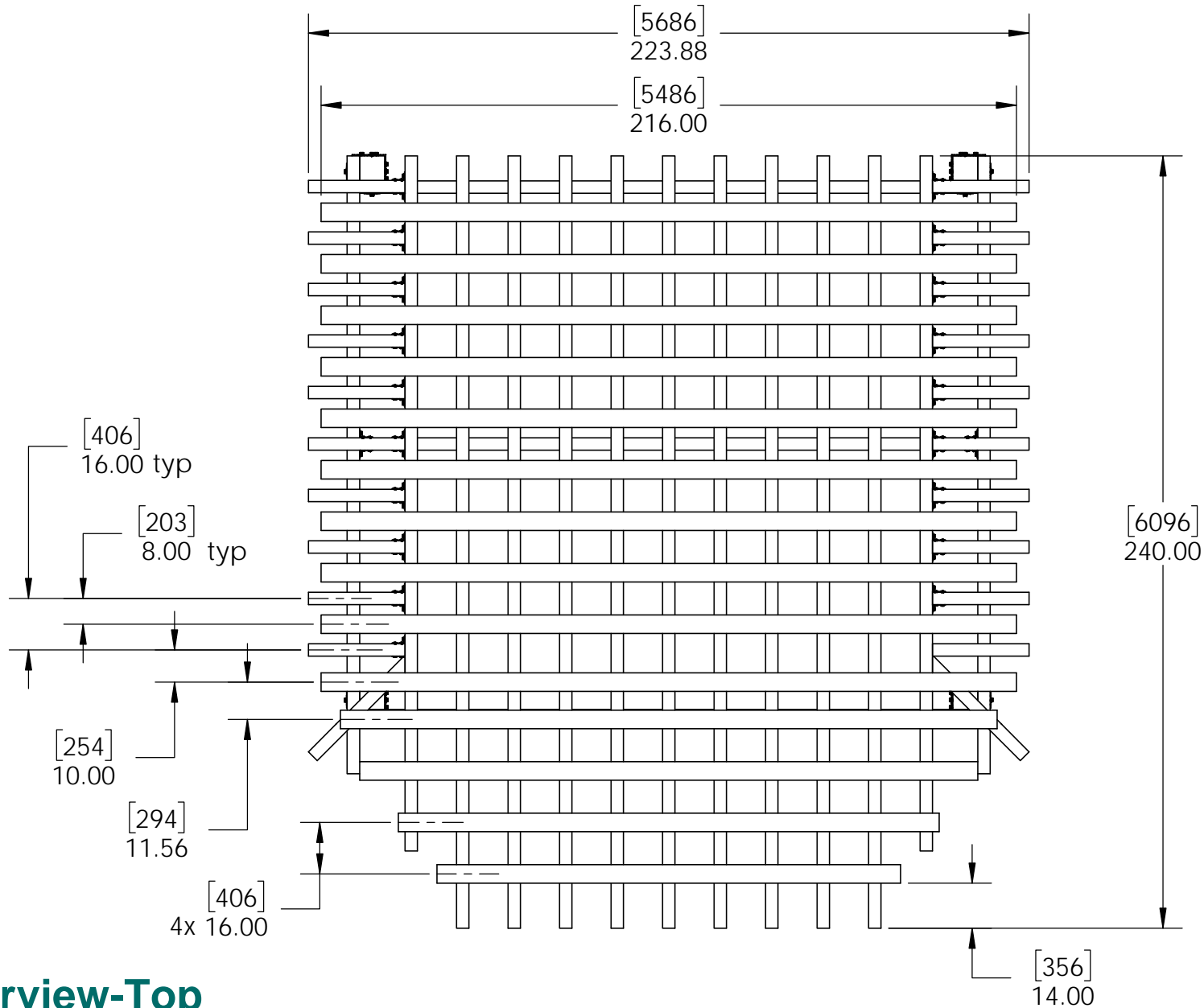
Unfortunately, there is currently no way to print content directly through issuu. To print a publication, you will need to download it and print it from your computer.





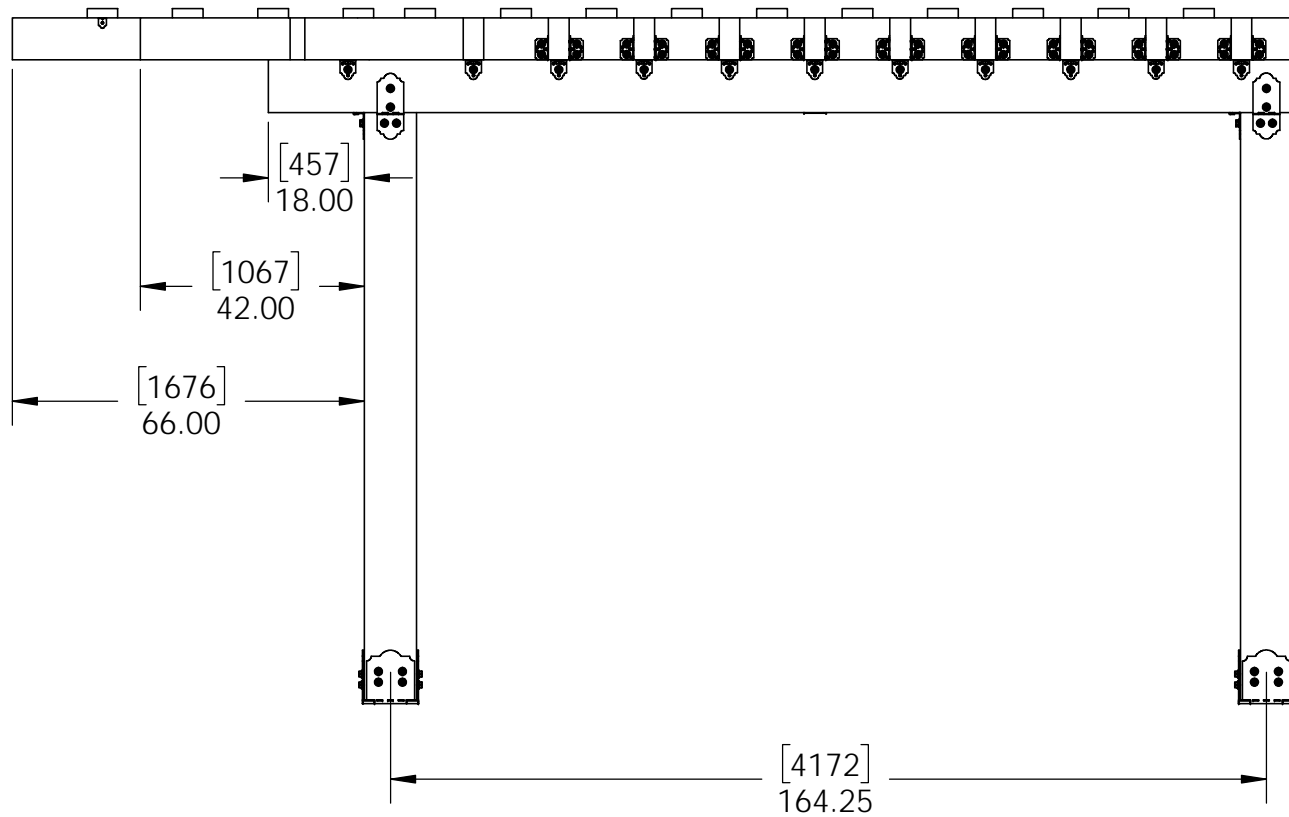
Overview-Front

OZCO Project #280 - Pergola with Overhang



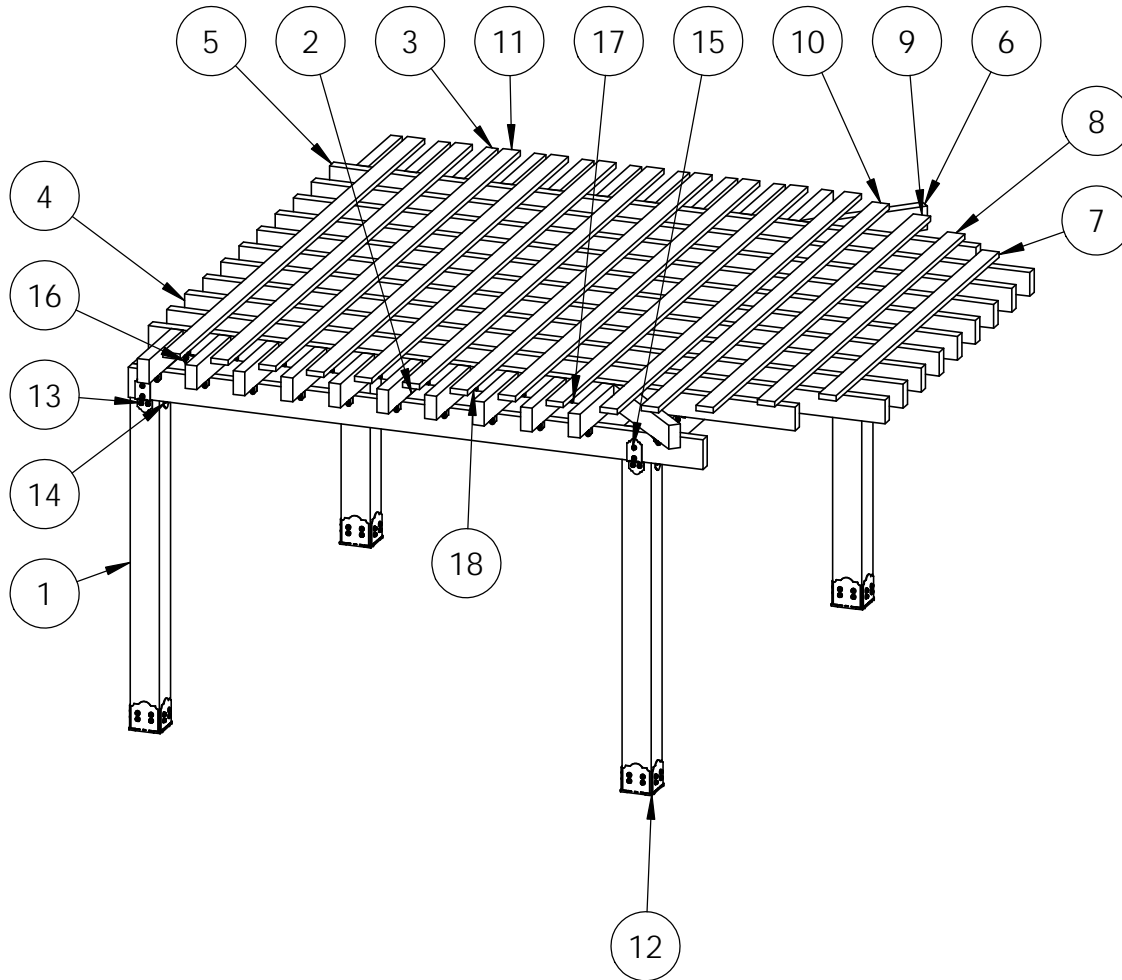
Overview-Top

OZCO Project #280 - Pergola with Overhang



Overview-Right

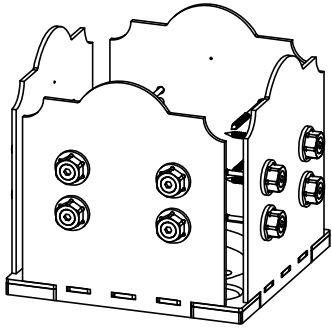
OZCO Project #280 - Pergola with Overhang



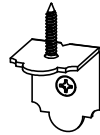
ITEM NO.	QTY.	PART NUMBER	DESCRIPTION
1	4	10x10 Cedar Post	10x10x120.00
2	5	4x10 Cedar Board	4x10x192.00
3	20	4x8 Cedar Board	4x8x192.00
4	9	4x8 Cedar Board	4x8x240.00
5	2	4x8 Cedar Board	4x8x216.00
6	2	4x8 Cedar Board	4x8x192.00
7	1	2x6 Cedar Board	2x6x144.00
8	1	2x6 Cedar Board	2x6x168.00
9	1	2x6 Cedar Board	2x6x192.00
10	1	2x6 Cedar Board	2x6x204.00
11	10	2x6 Cedar Board	2x6x216.00
12	4	56605	10x10 Post Base (10x10-PB-LS)
13	2	56636	Post to Beam Bolt Offset (P2B-BO-LS)
14	2	56636	Post to Beam Bolt Offset (P2B-BO-LS)
15	8	56652	OWT Timber Bolt 10-12"
	0.25	56680	2" Timber Bolt Heavy Duty Washer (OWT-TBW-2)
16	4.4	56618	4" Standard Rafter Clip (RC-LS-4)
17	5.25	56669	6-8" JOIST HANGER FLUSH
18	2.8	56617	2" Standard Rafter Clip (RC-LS-2)

Bill of Material

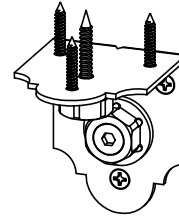
OZCO Project #280 - Pergola with Overhang



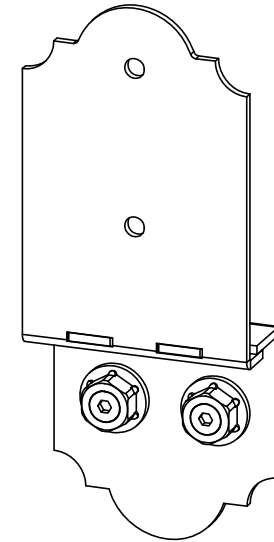
56605



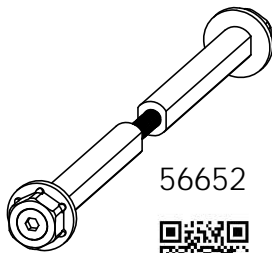
56617



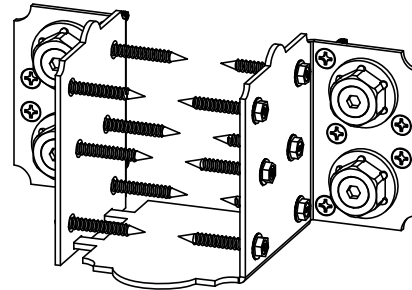
56618



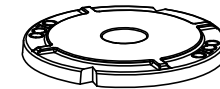
56636



56652

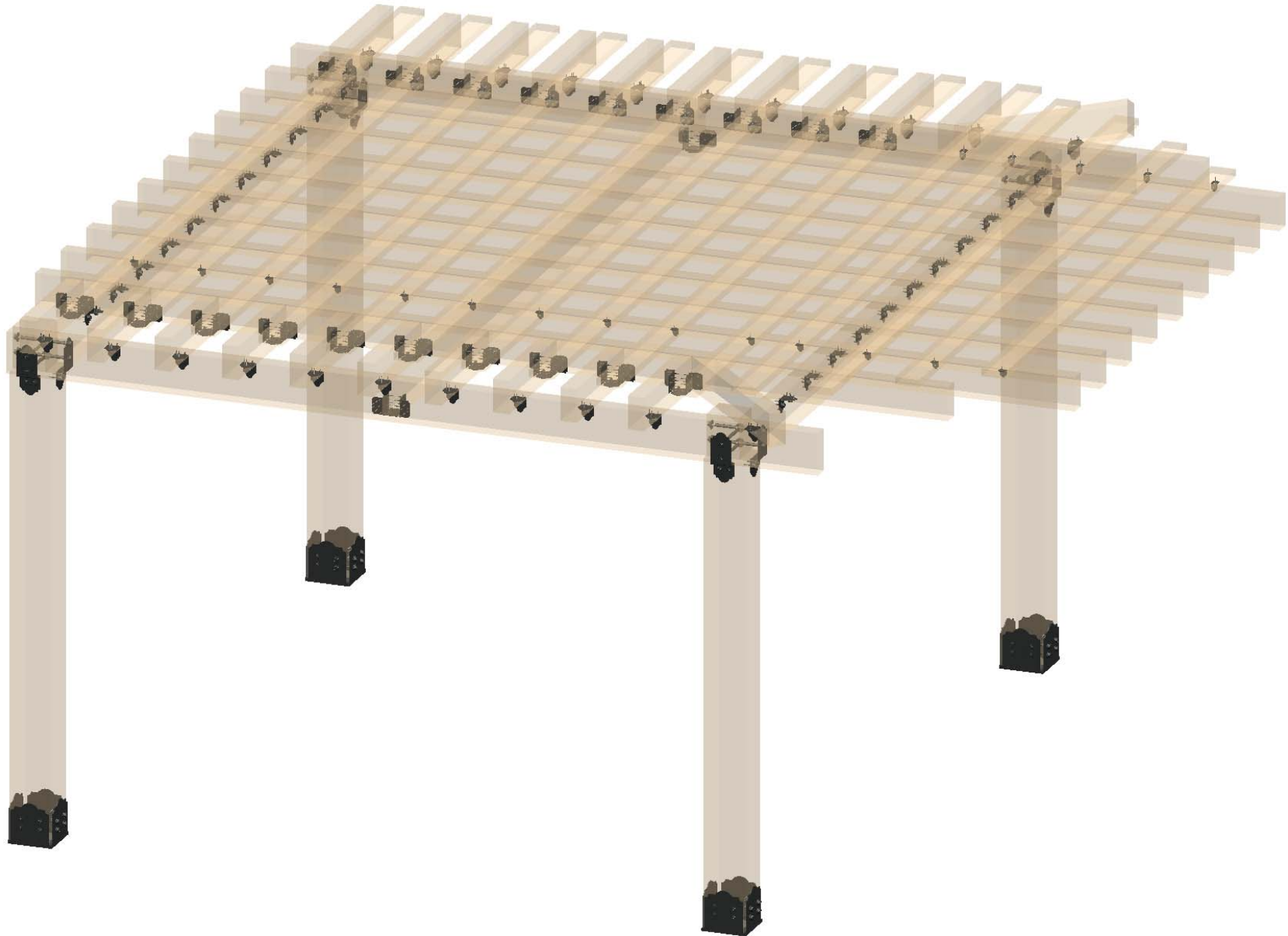


56669



56680





OZCO Project #280 - Pergola with Overhang