

DESIGN

PURCHASE

CONSTRUCT

ENJOY

OZCO Project #836 IW- Pergola 16x10



OZCO Project #836 IW- Pergola 16x10



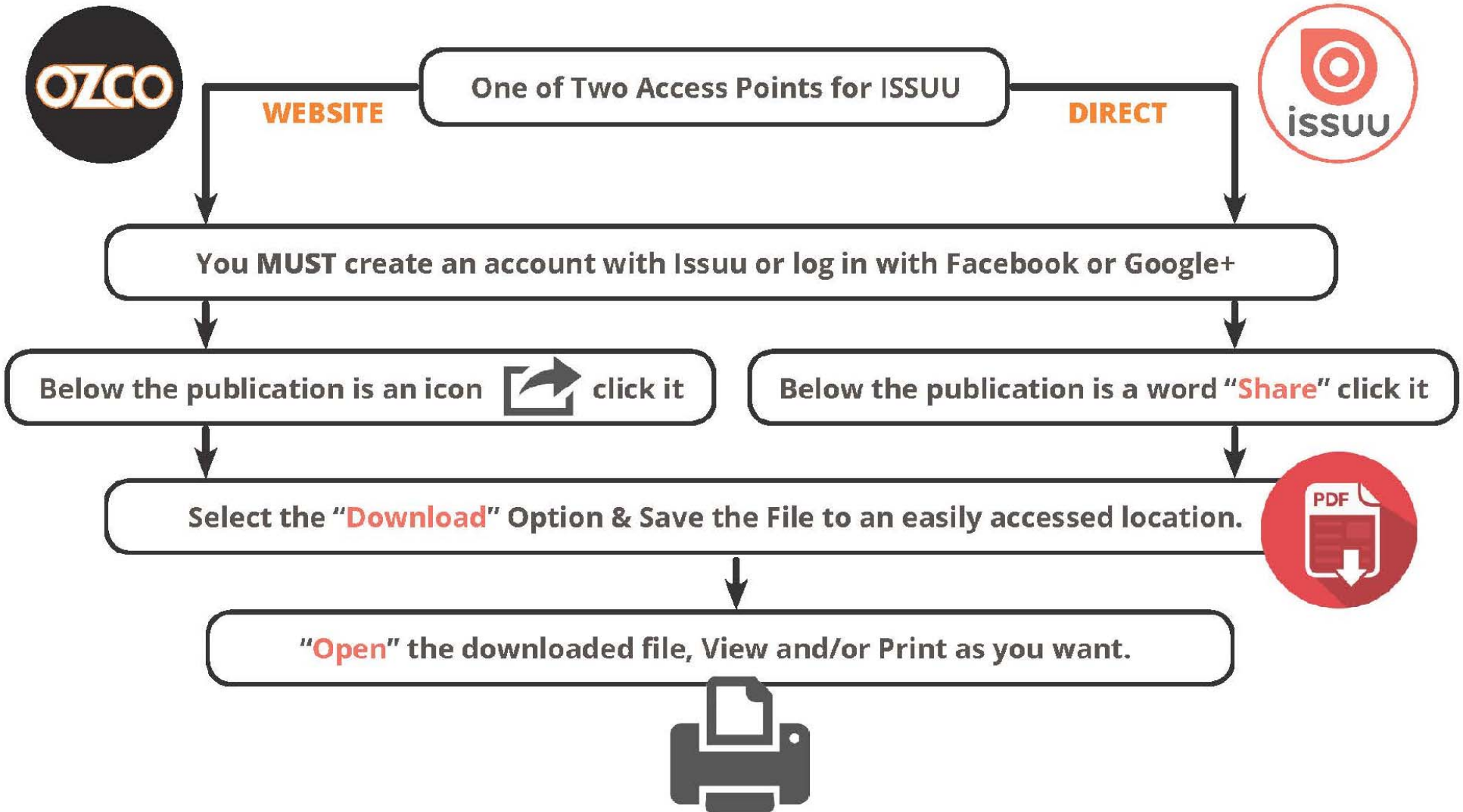
OZCO BUILDING PRODUCTS

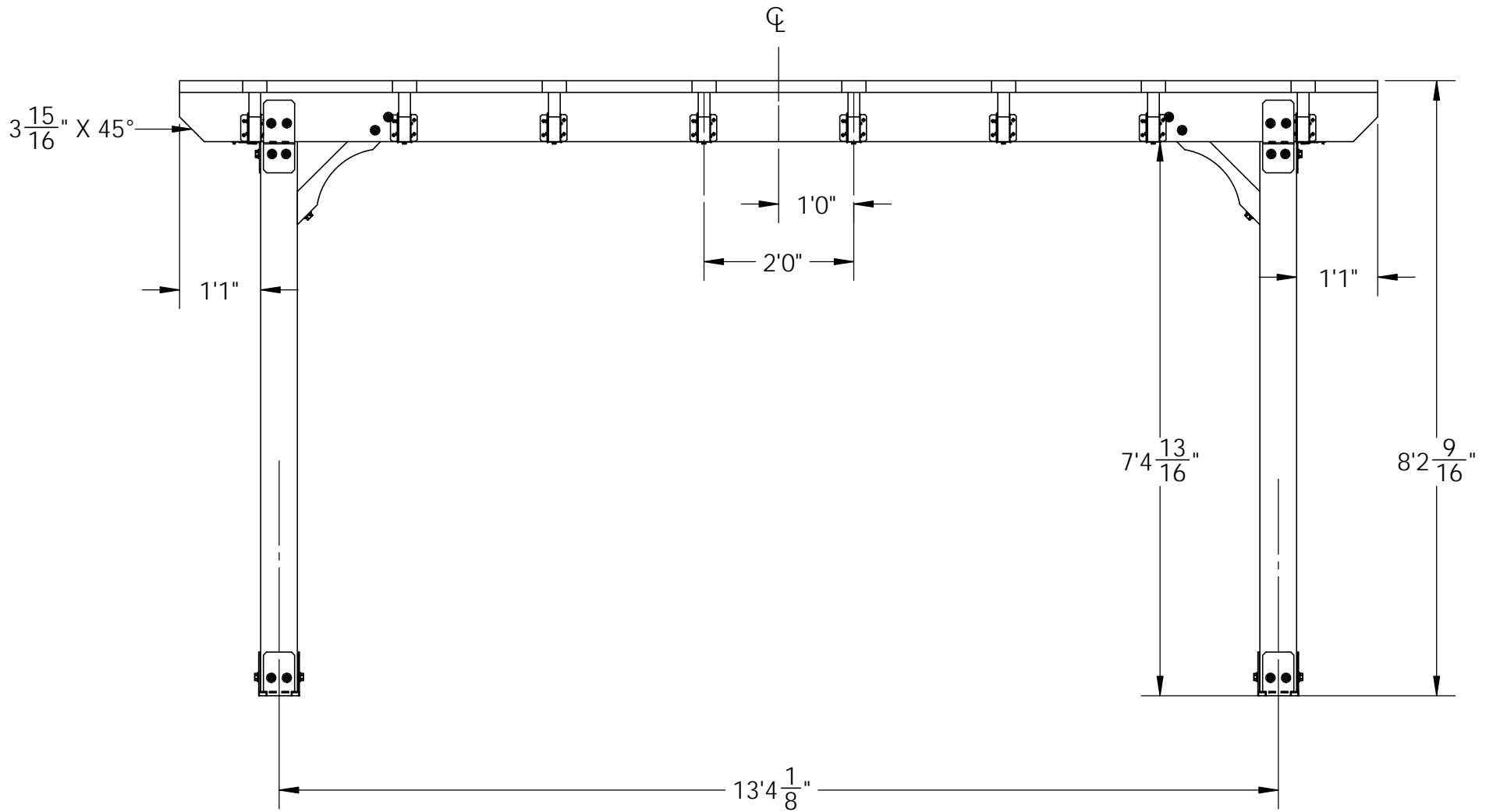
V2.00 - Installation Instructions, Specifications and Project Plans are effective 6/16/2017. This information is updated periodically and should not be relied upon after 2 years from 6/16/2017. Please visit OZCOBP.com to get current information. 1



Printing Documents from ISSUU

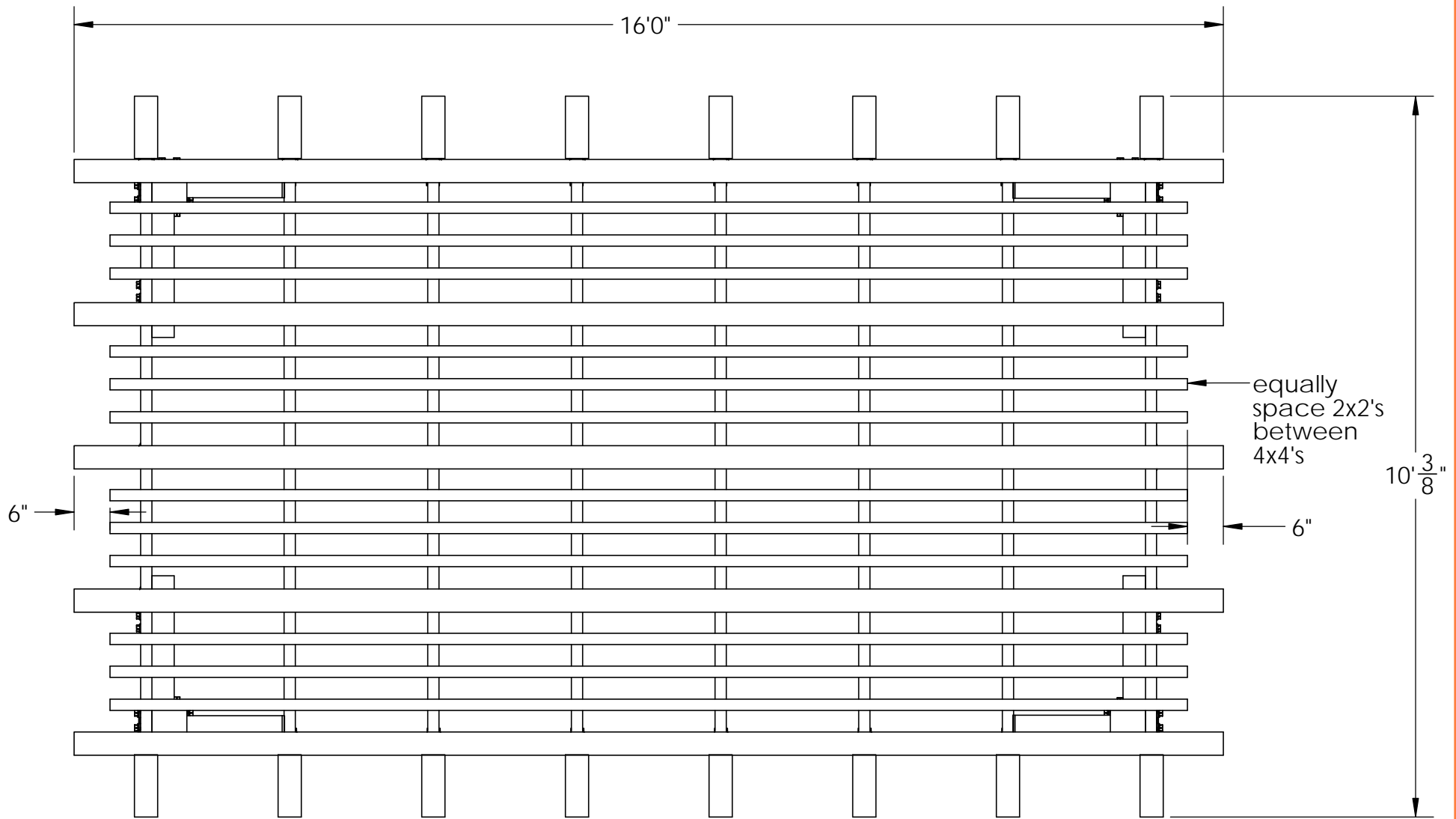
Unfortunately, there is currently no way to print content directly through issuu. To print a publication, you will need to download it and print it from your computer.



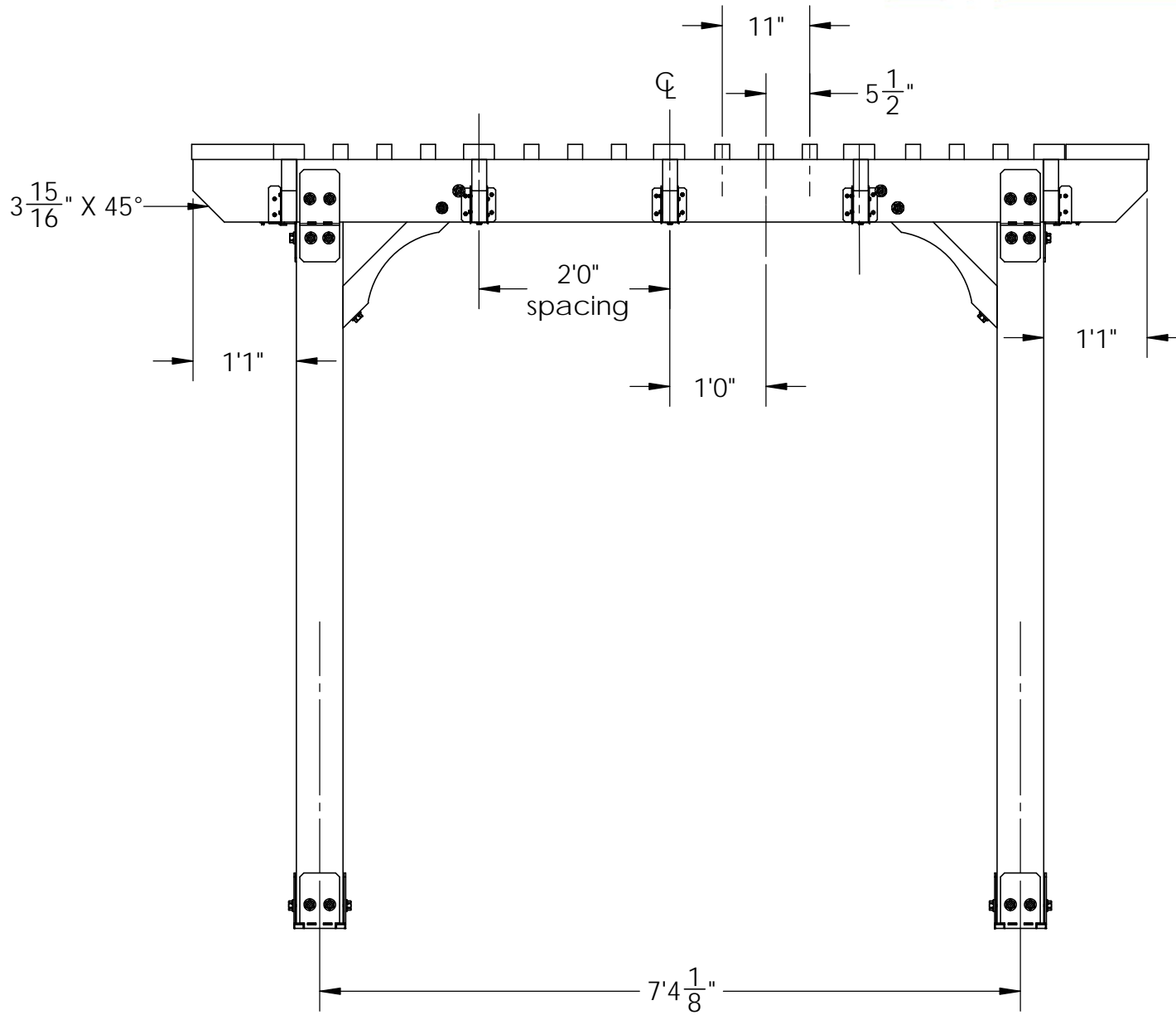


Front

OZCO Project #836 IW- Pergola 16x10

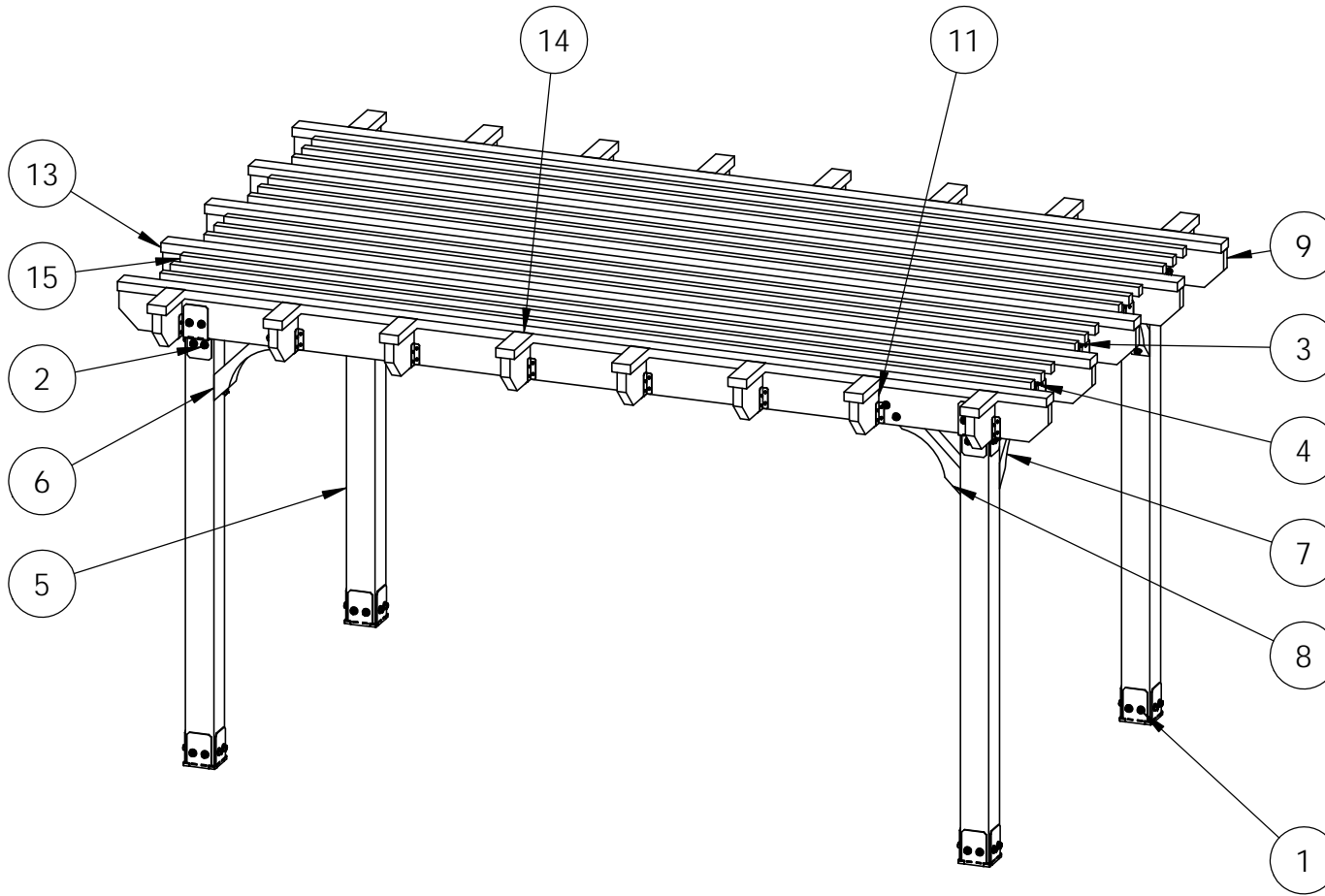


Top



Right

OZCO Project #836 IW- Pergola 16x10

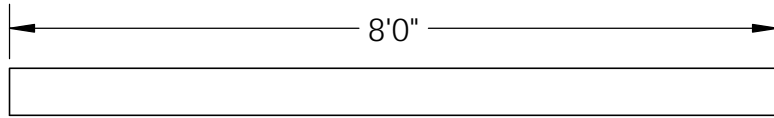


ITEM NO.	QTY.	PART NUMBER	DESCRIPTION
1	4	51708	6x6 Post Base (6x6-PB-IW)
2	4	51710	8" Post to Beam (P2B-IW-8)
3	5.644	51739	6-8" Joist Hanger Flush (JHF-68-IW)
4	0.96	56627	Screw, OWT 3-3/4" (95mm) Timber with HCN
	0.1	56621	1 1/2" Hex Cap Nut (HCN)
5	4	6x6 Cedar Post	6x6x8'0"
6	2	4x4 Cedar Post	23" Lawnmaster Support-left
7	4	4x4 Cedar Post	30" Lawnmaster Support
8	2	4x4 Cedar Post	23" Lawnmaster Support-right
9	2	2x8 Cedar Board	2x8x16'0"
10	2	2x8 Cedar Board	2x8x7'9 7/8"
11	22	2x8 Cedar Board	2x8x11 1/8"
12	6	2x6 Cedar Board	2x6x7'9 7/8"
13	5	2x4 Cedar Board	2x4x16'0"
14	16	2x4 Cedar Board	2x4x10 7/16"
15	12	2x2 Cedar Board	2x2x15'0"

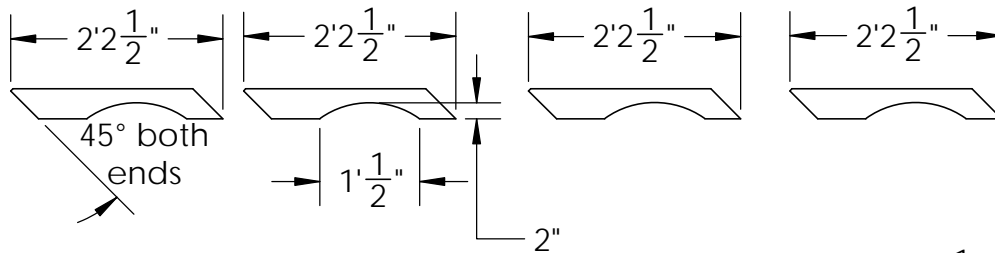
Default

QTY.	PART NUMBER	DESCRIPTION
4	51708	6x6 Post Base (6x6-PB-IW)
4	51710	8" Post to Beam (P2B-IW-8)
6	51739	6-8" Joist Hanger Flush (JHF-68-IW)
1	56627	Screw, OWT 3-3/4" (95mm)
3	56621	1 1/2" Hex Cap Nut (HCN)
4	6x6x8L	6x6x8
1	4x4x8L	4x4x8
1	4x4x10L	4x4x10
1	2x8x16L	2x8x16
2	2x8x8L	2x8x8
2	2x8x12L	2x8x12
6	2x6x8L	2x6x8
6	2x4x16L	2x4x16
12	2x2x16L	2x2x16

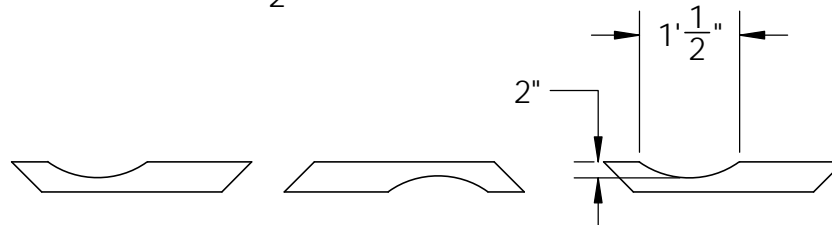
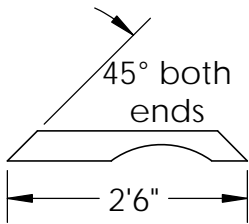
Purchase List



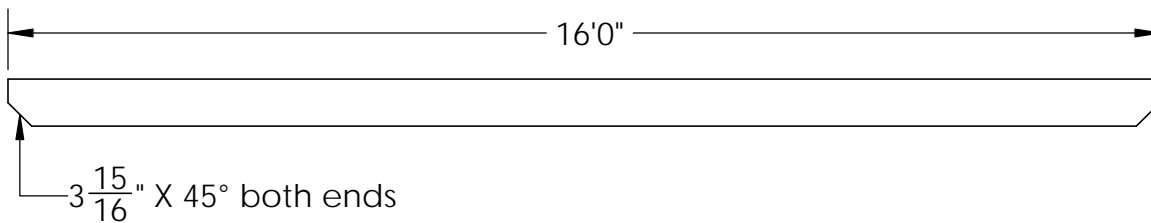
cut from 6x6x8L board qty: 4



cut from 4x4x8L board

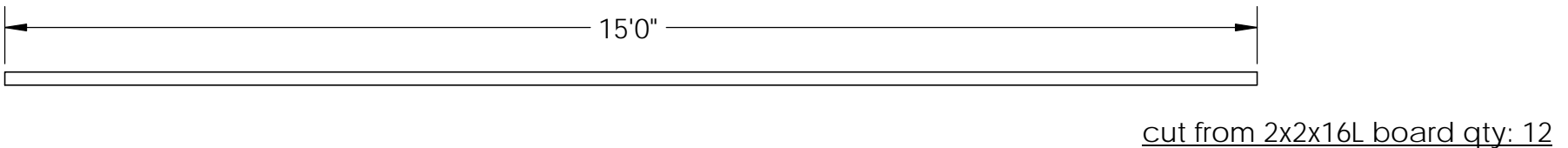
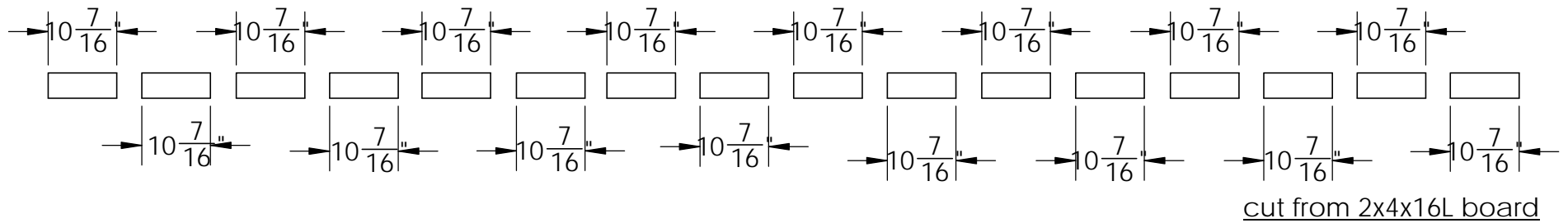
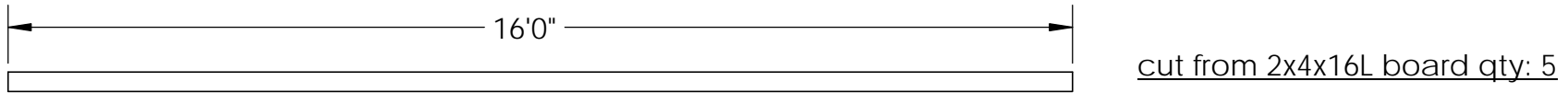
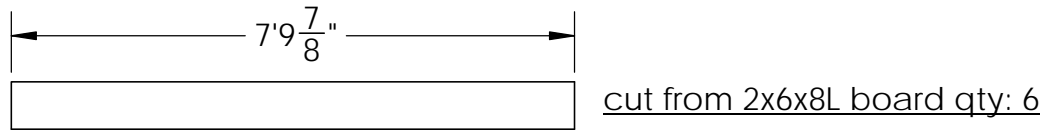
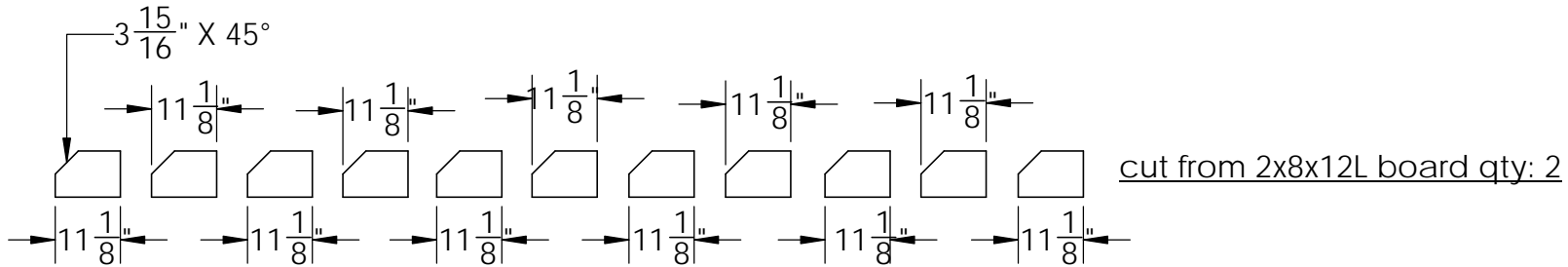


cut from 4x4x10L board

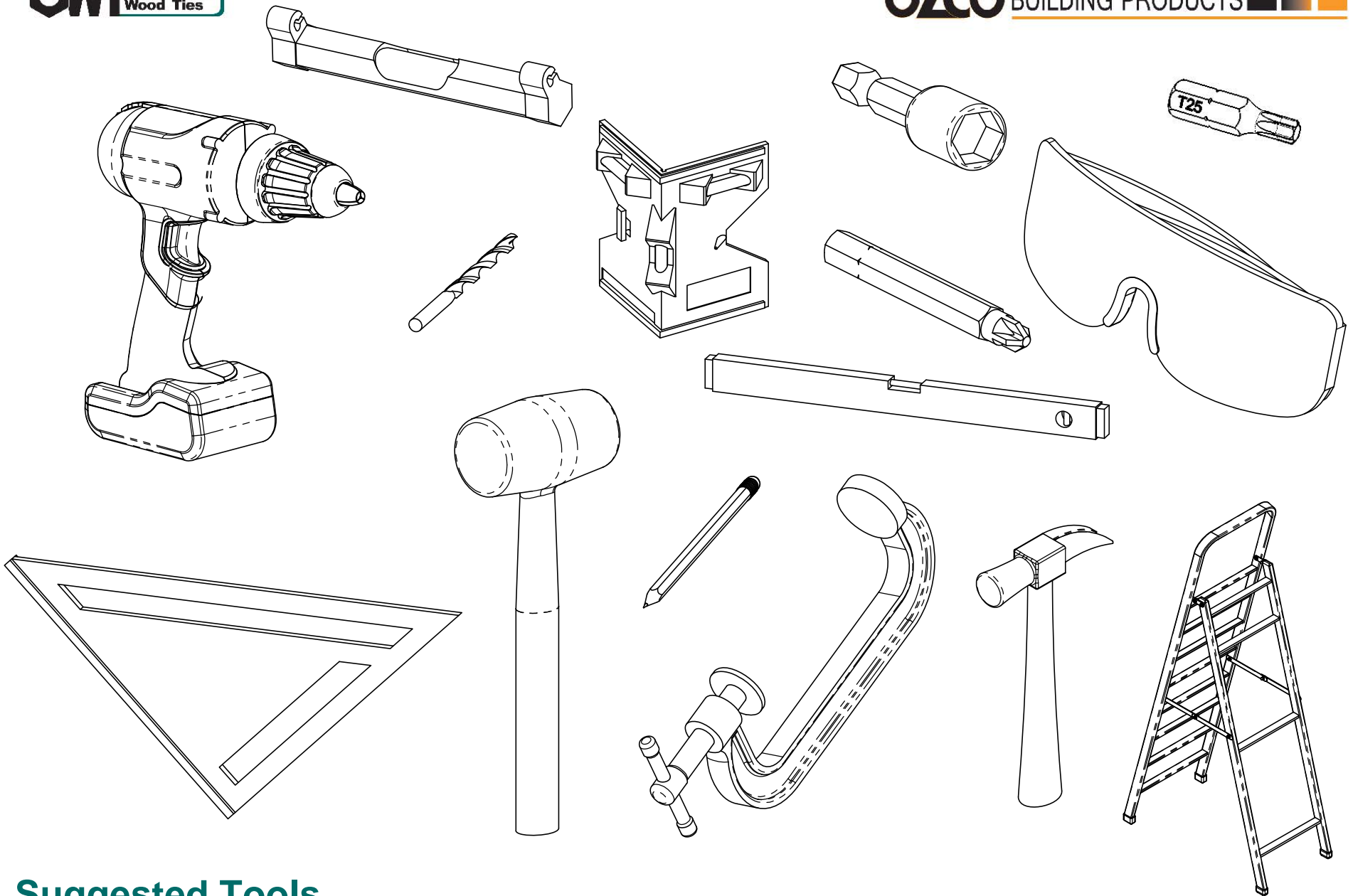


cut from 2x8x16L board

Cutlist



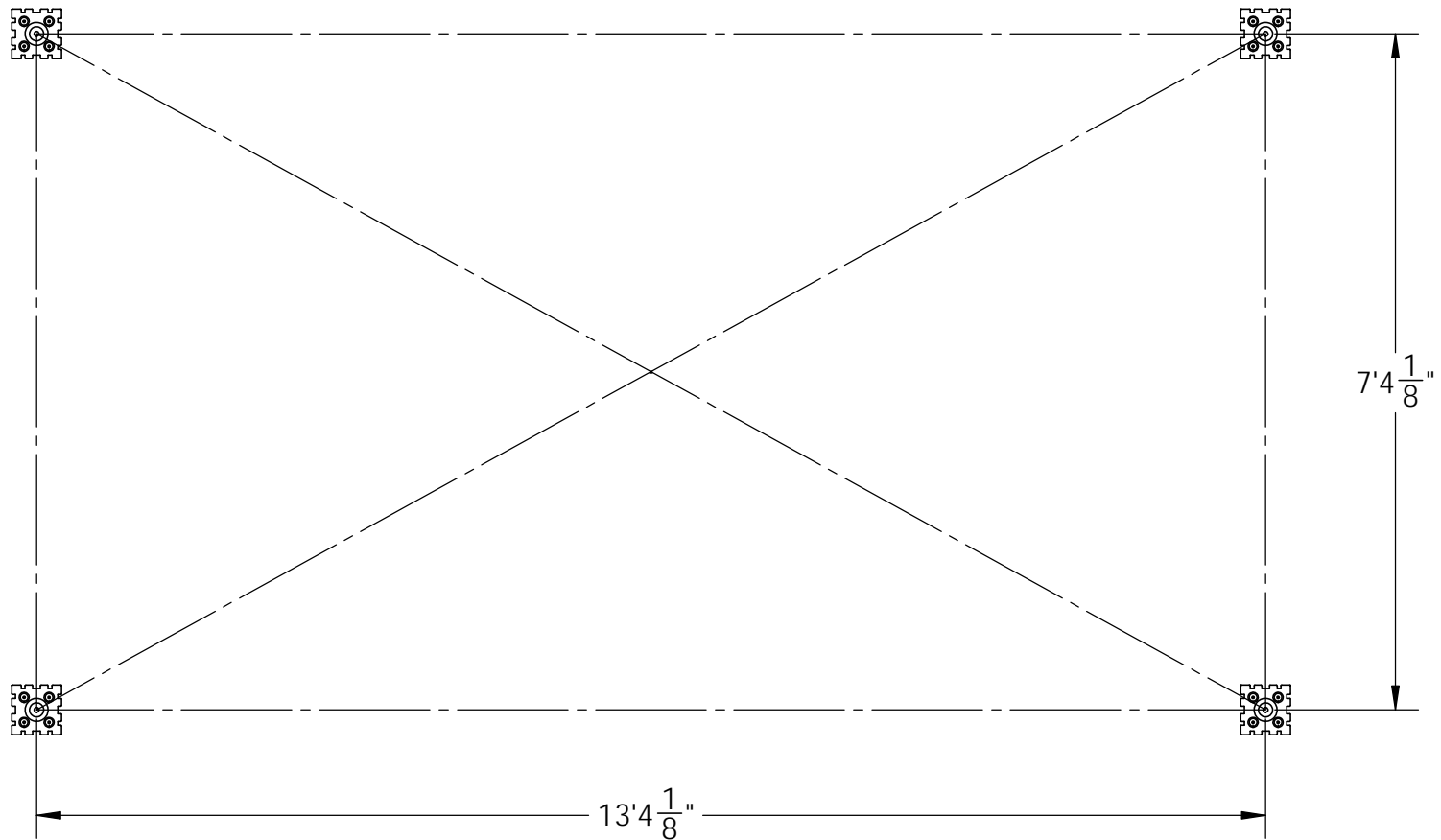
Cutlist



Suggested Tools
(others may be required)

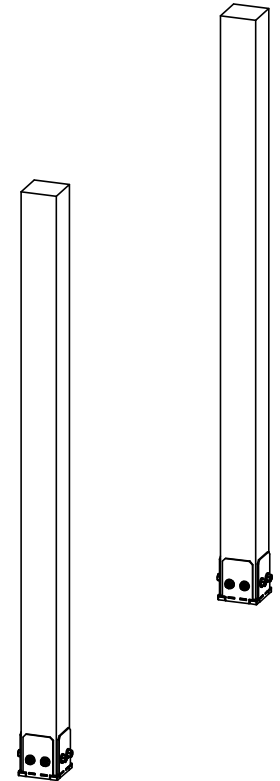
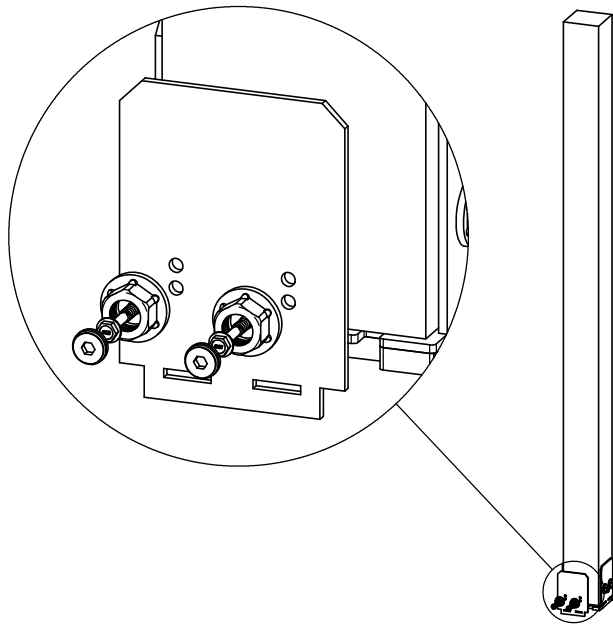
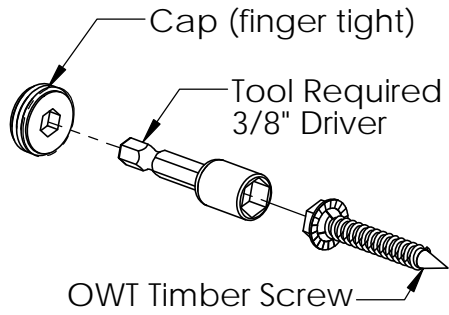
OZCO Project #836 IW- Pergola 16x10

Mount Base to surface (top view shown)
see post base installation instructions for detailed mounting instructions & fastener selection



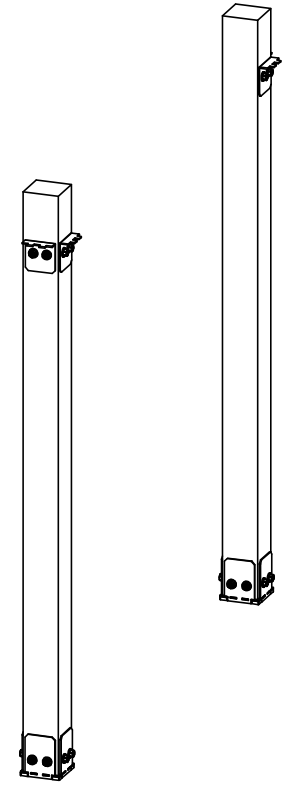
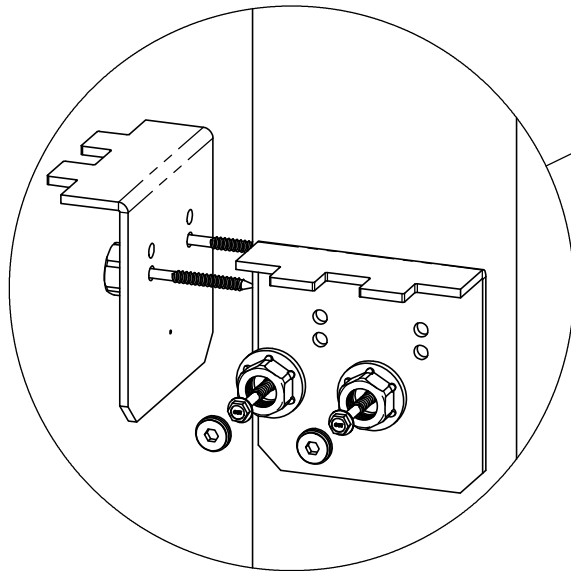
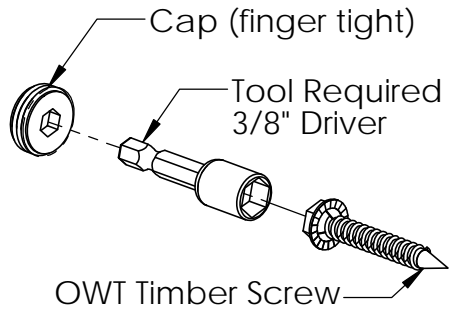
step 1

OZCO Project #836 IW- Pergola 16x10



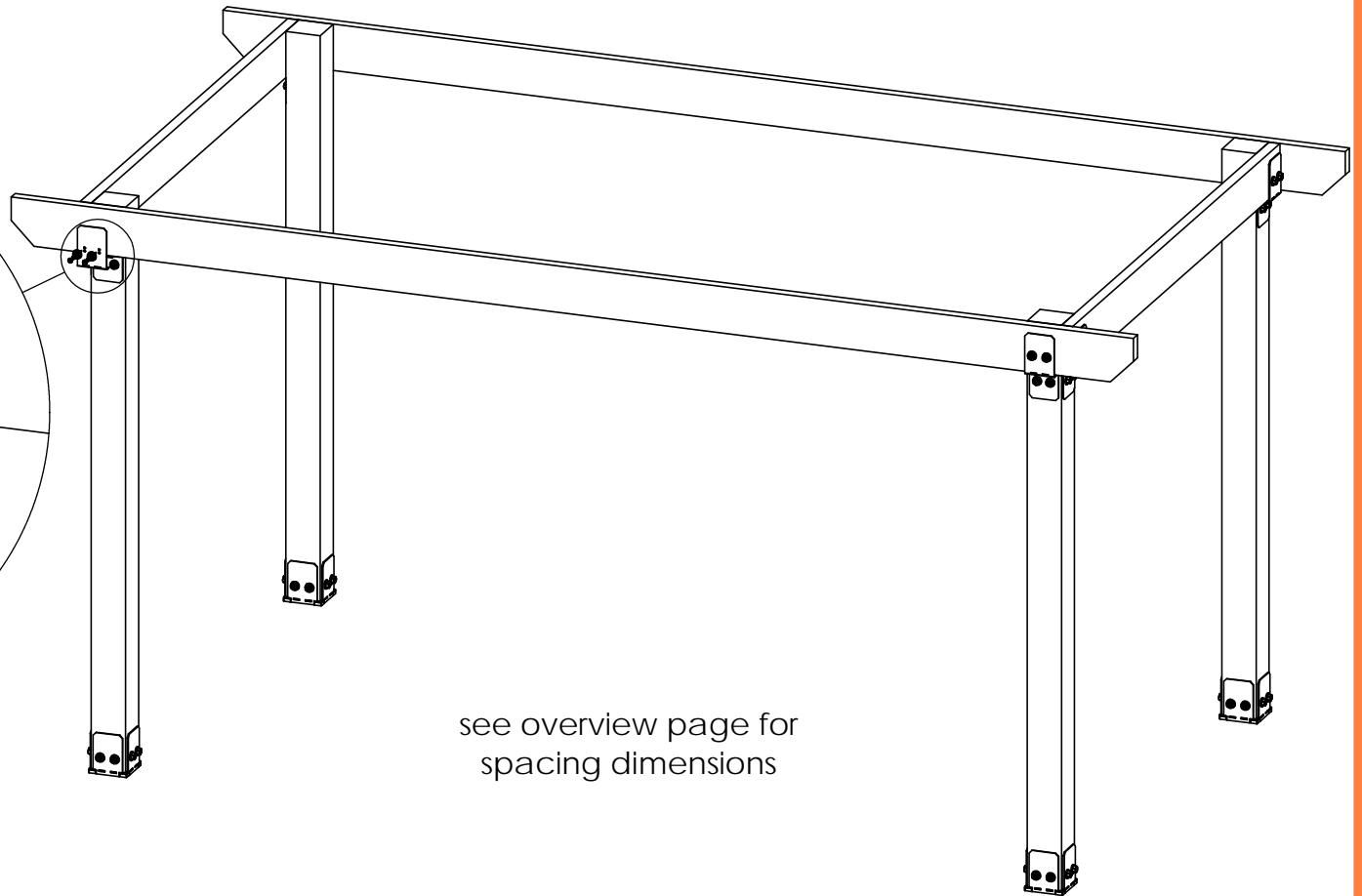
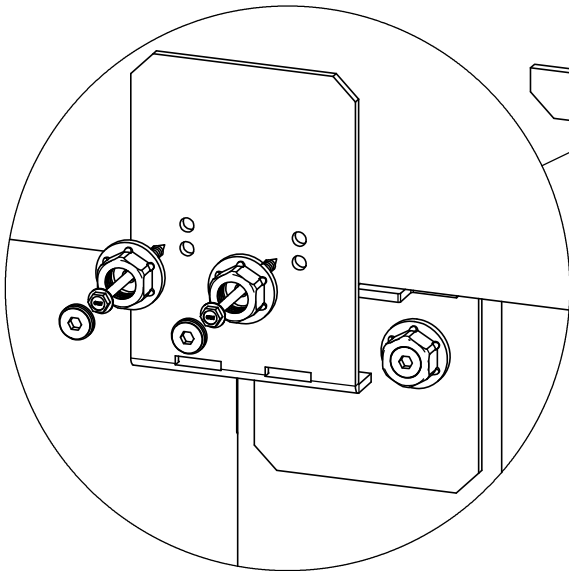
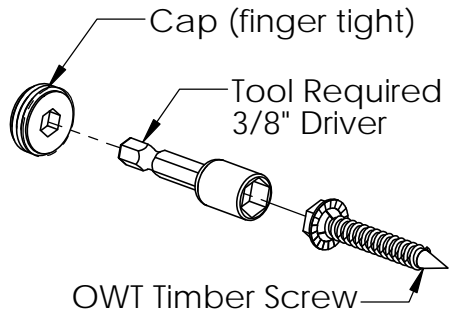
step 2

OZCO Project #836 IW- Pergola 16x10



step 3

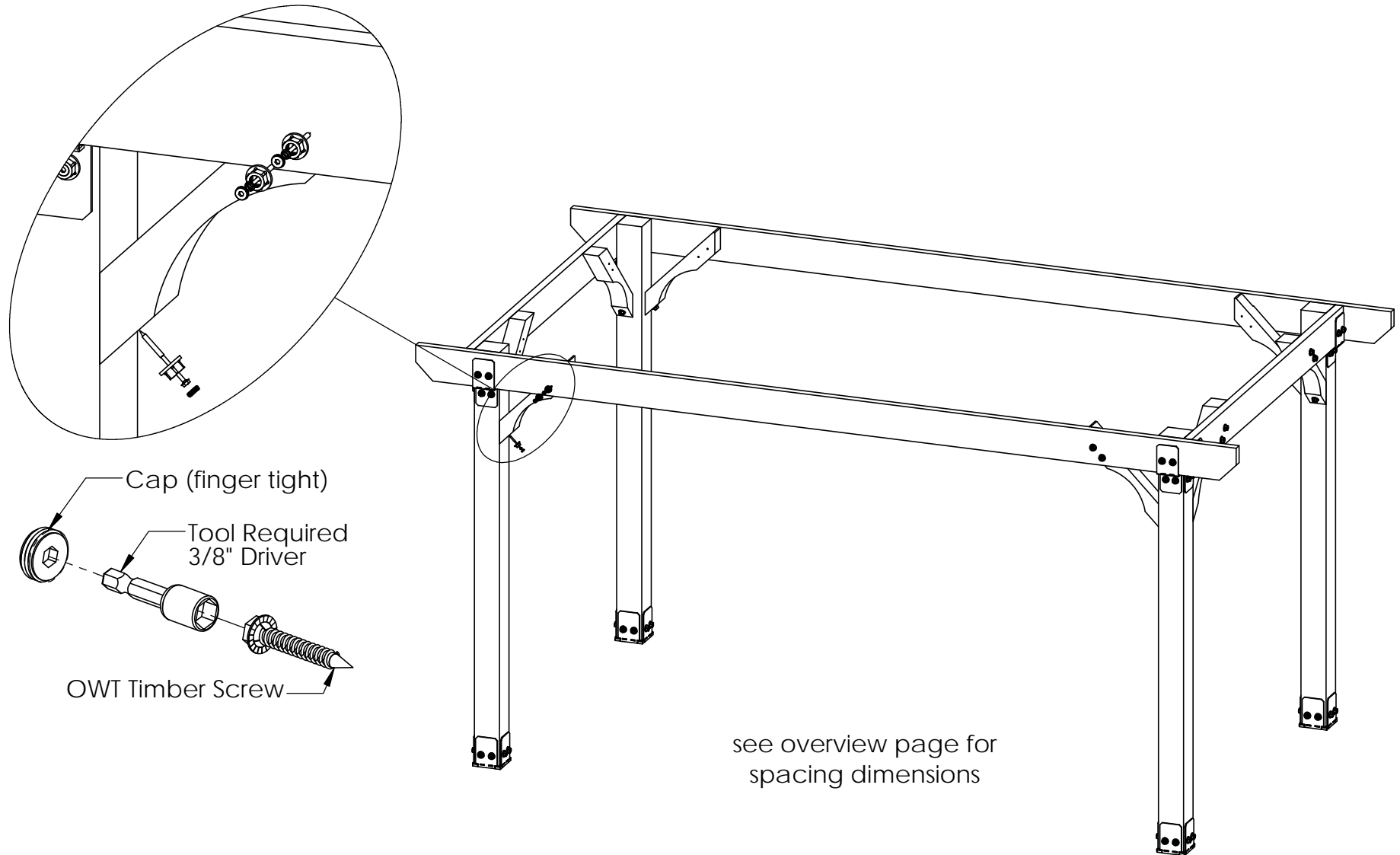
OZCO Project #836 IW- Pergola 16x10



see overview page for
spacing dimensions

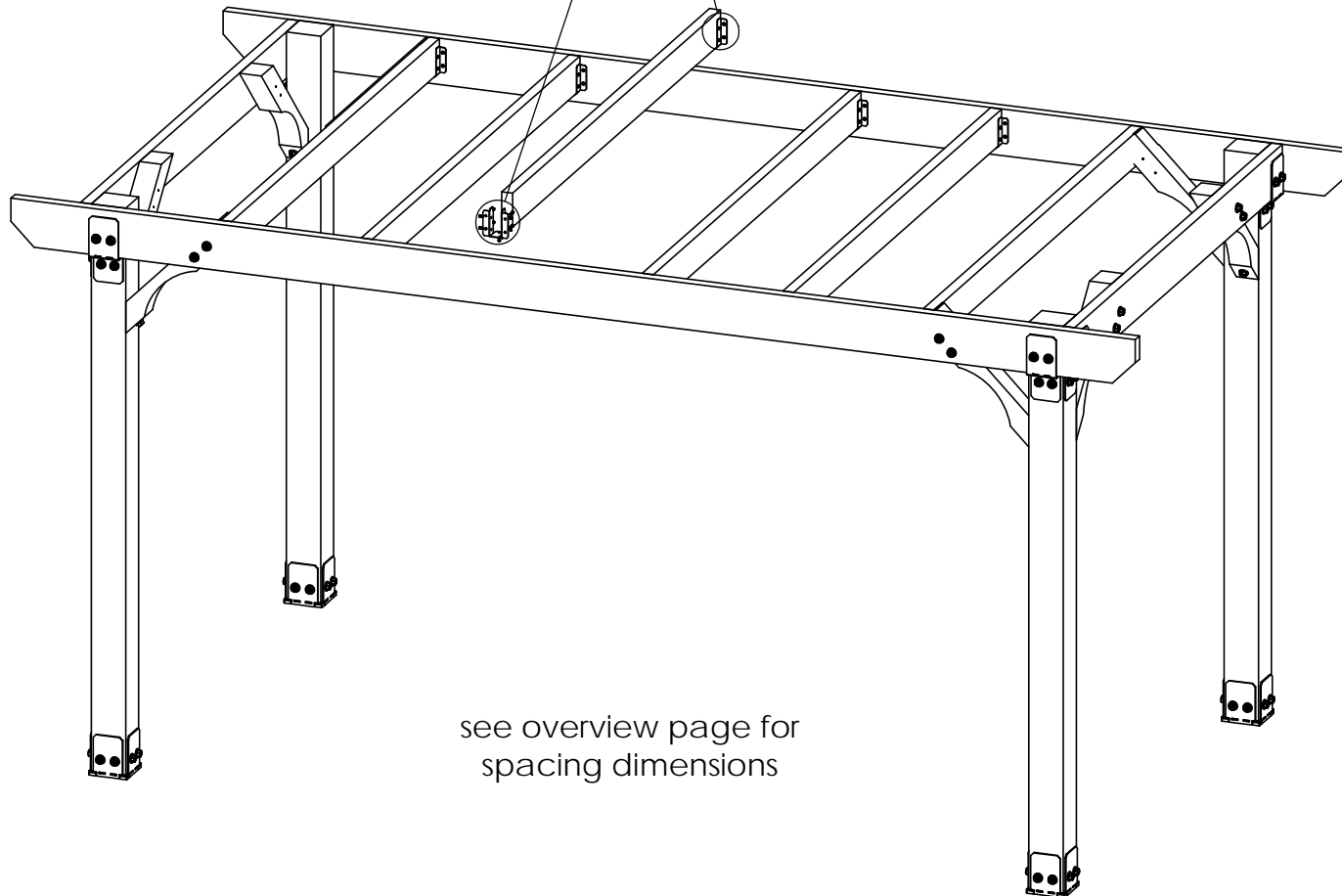
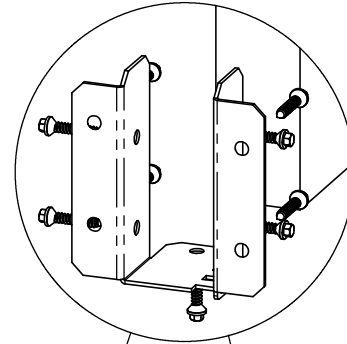
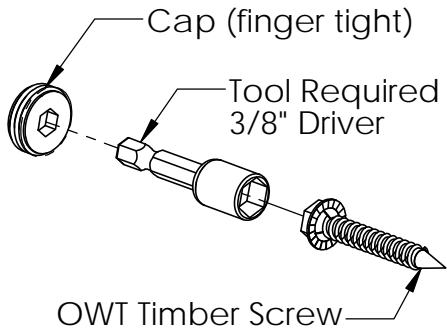
step 4

OZCO Project #836 IW- Pergola 16x10



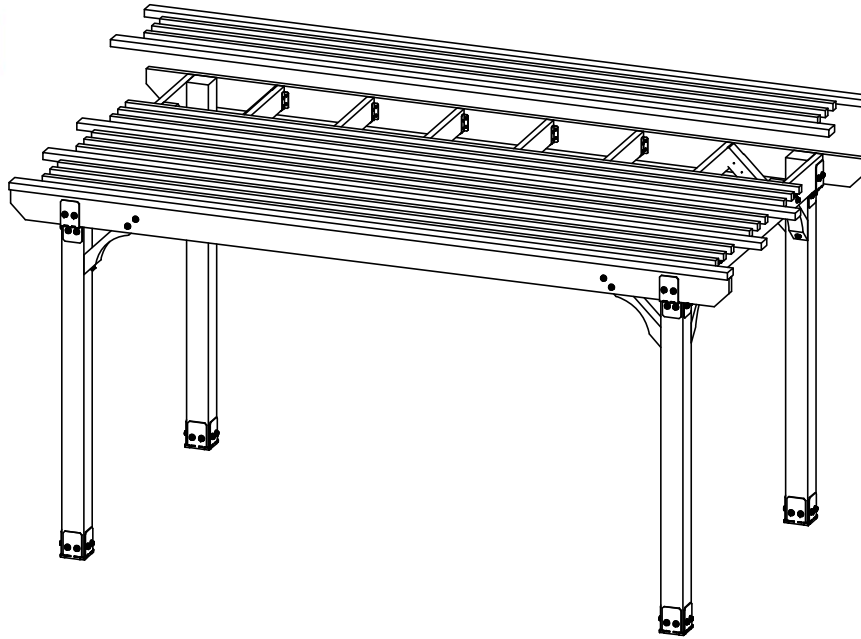
step 5

OZCO Project #836 IW- Pergola 16x10



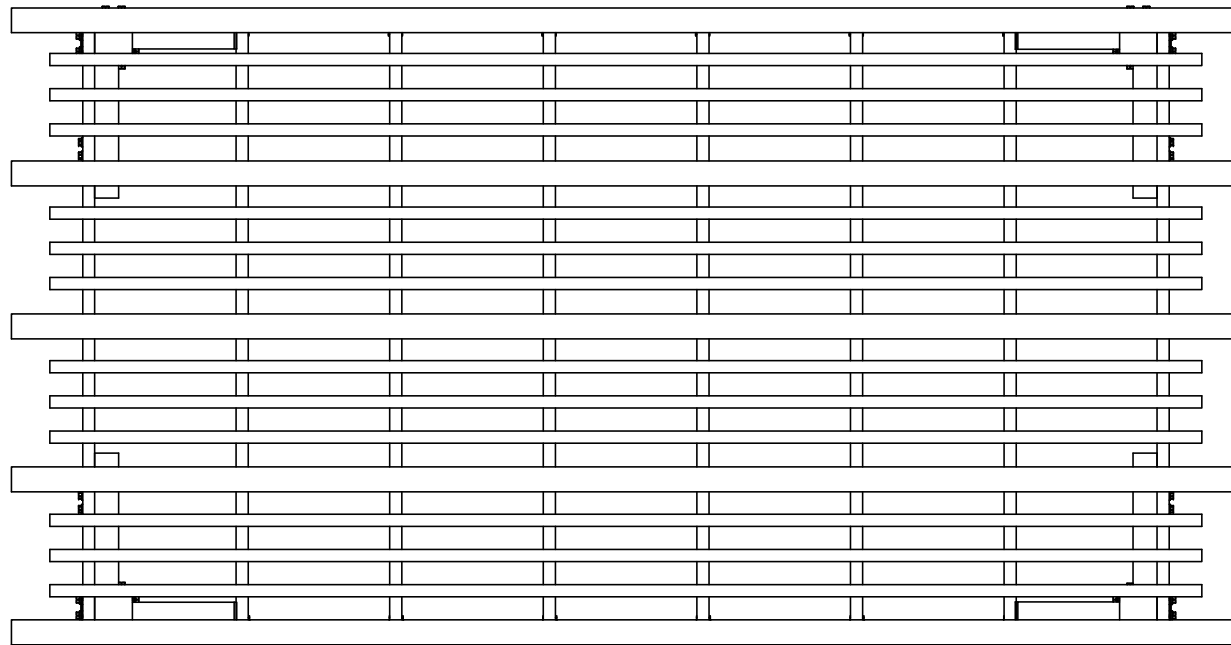
see overview page for
spacing dimensions

step 6

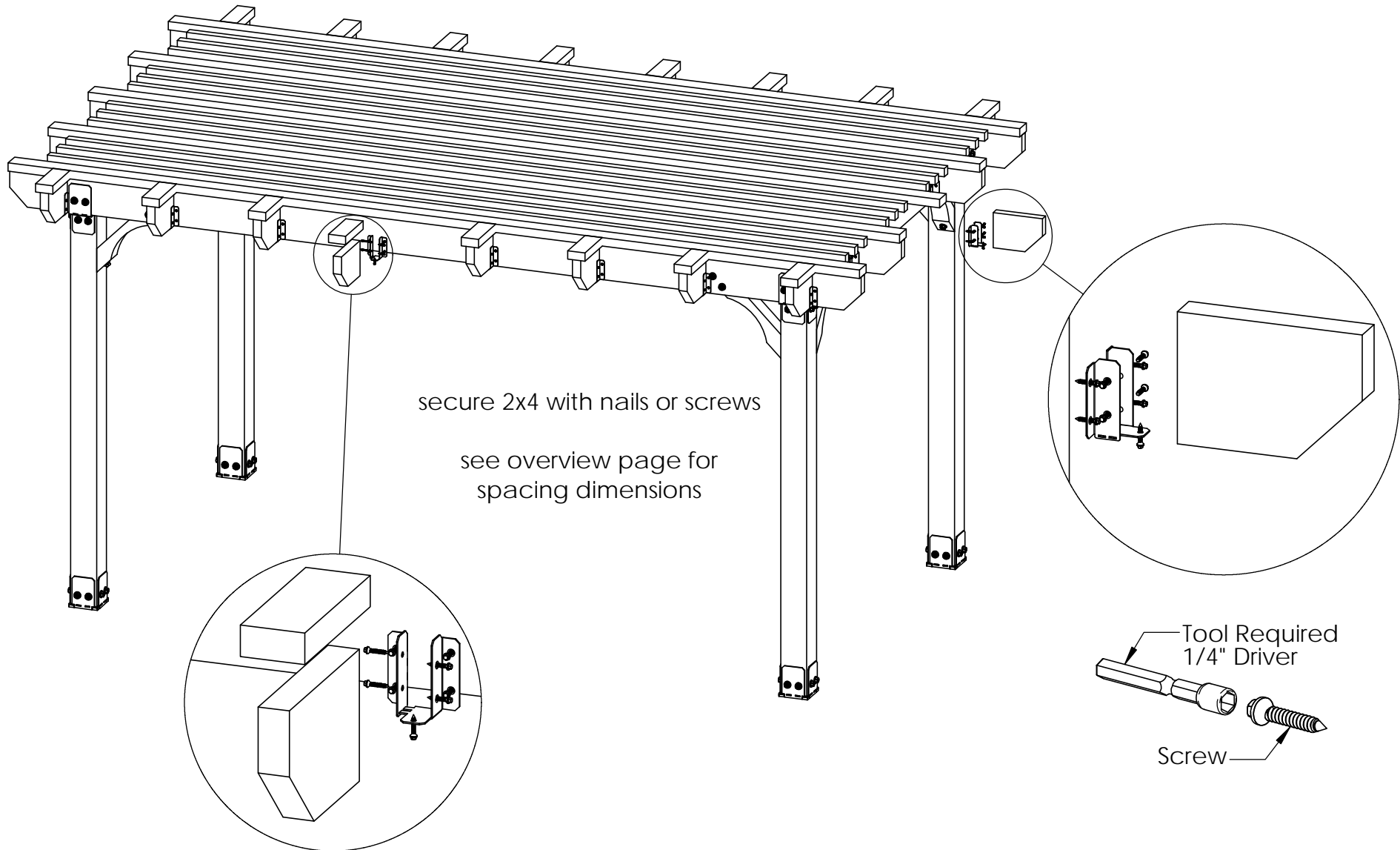


secure with nails or screws

see overview page for
spacing dimensions



step 7



step 8

OZCO Project #836 IW- Pergola 16x10