

DESIGN

PURCHASE

CONSTRUCT

ENJOY

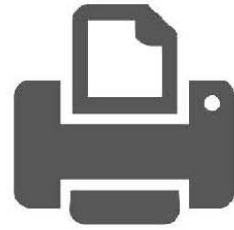
OZCO Project #329 - Pergola-Pavilion 8x8 Posts



Build Ozco Project #210 Pavilion, then extend your outdoor living area with this attached Pergola

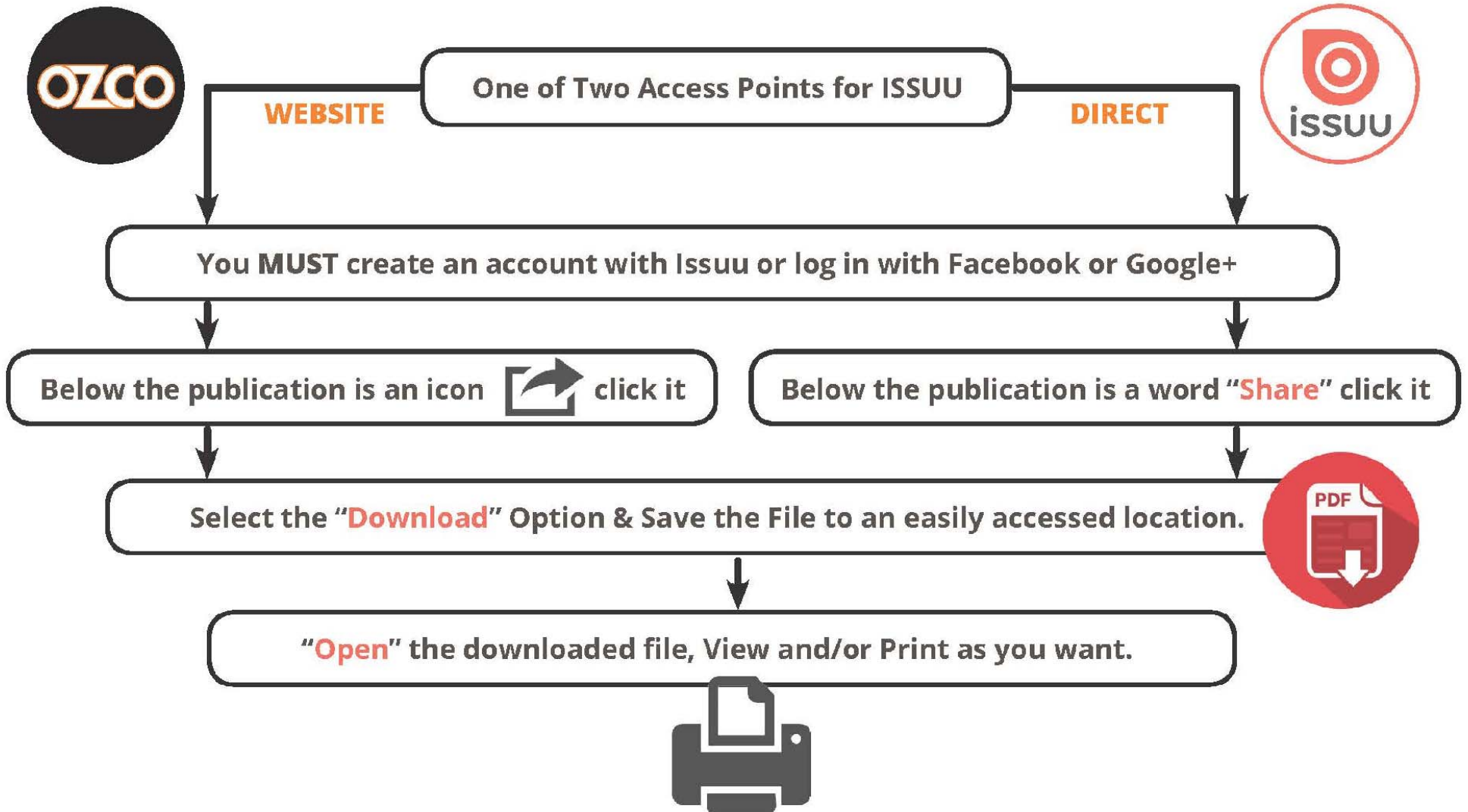


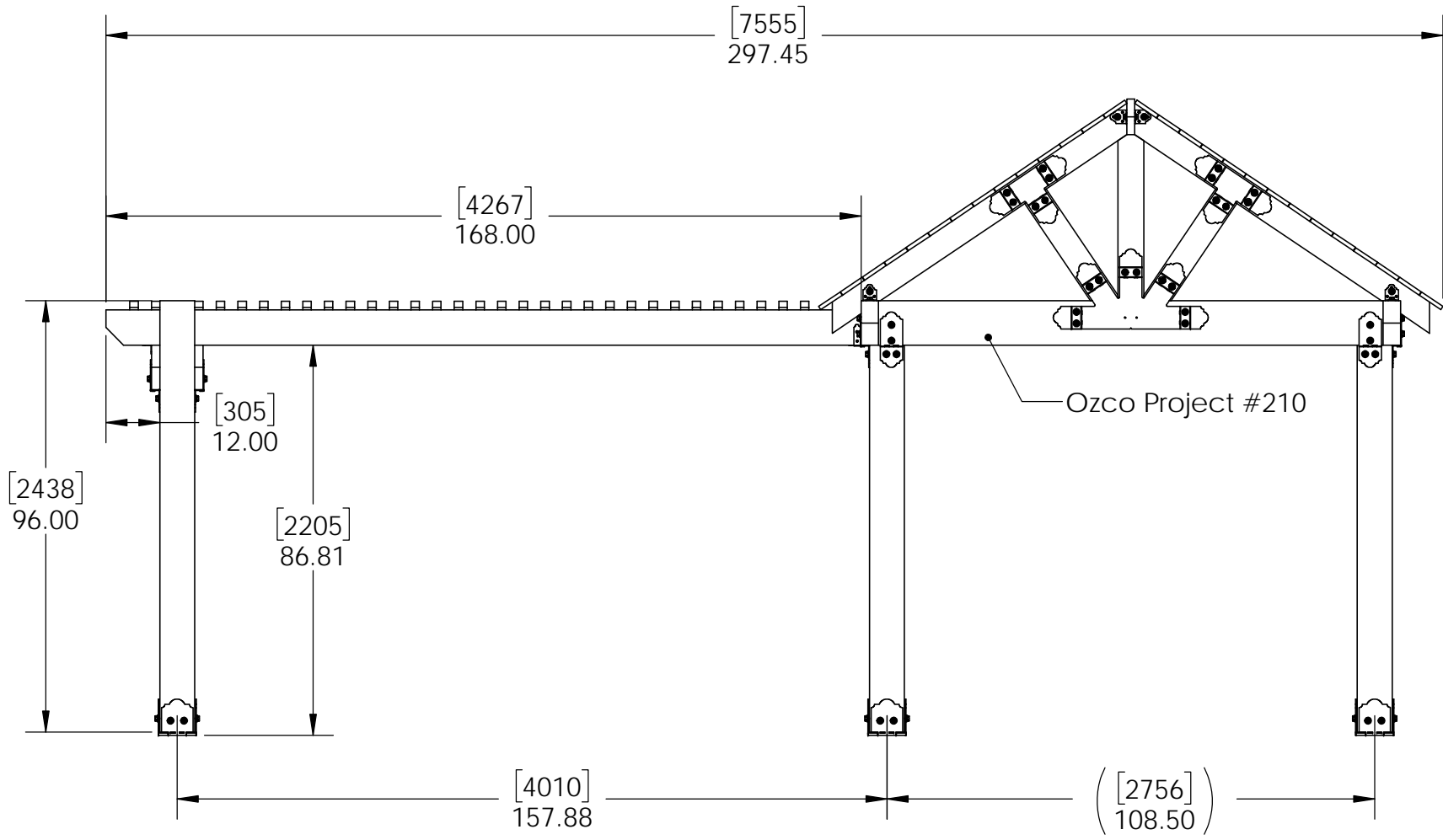
OZCO BUILDING PRODUCTS ■ ■ ■ ■



Printing Documents from ISSUU

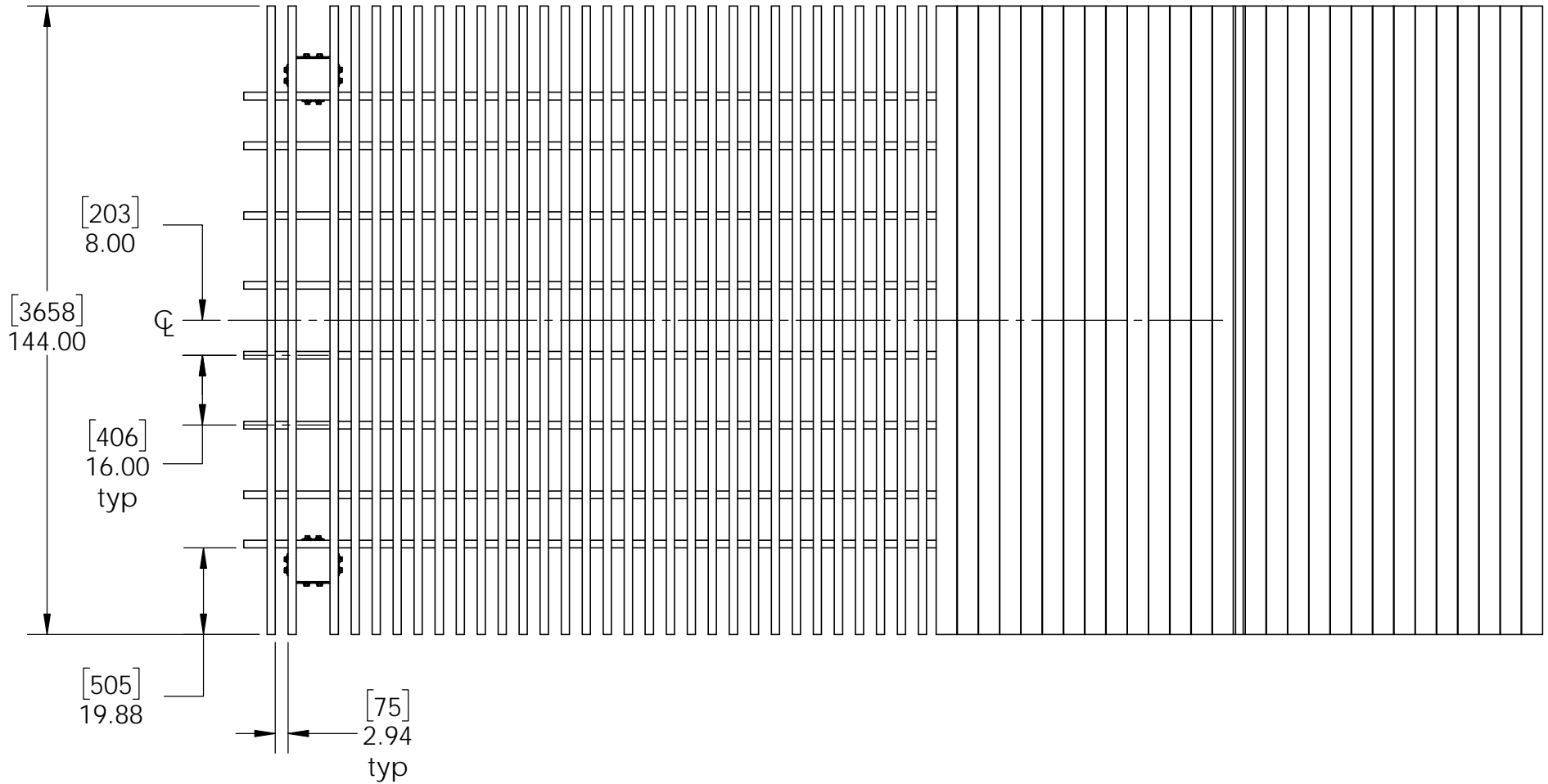
Unfortunately, there is currently no way to print content directly through issuu. To print a publication, you will need to download it and print it from your computer.





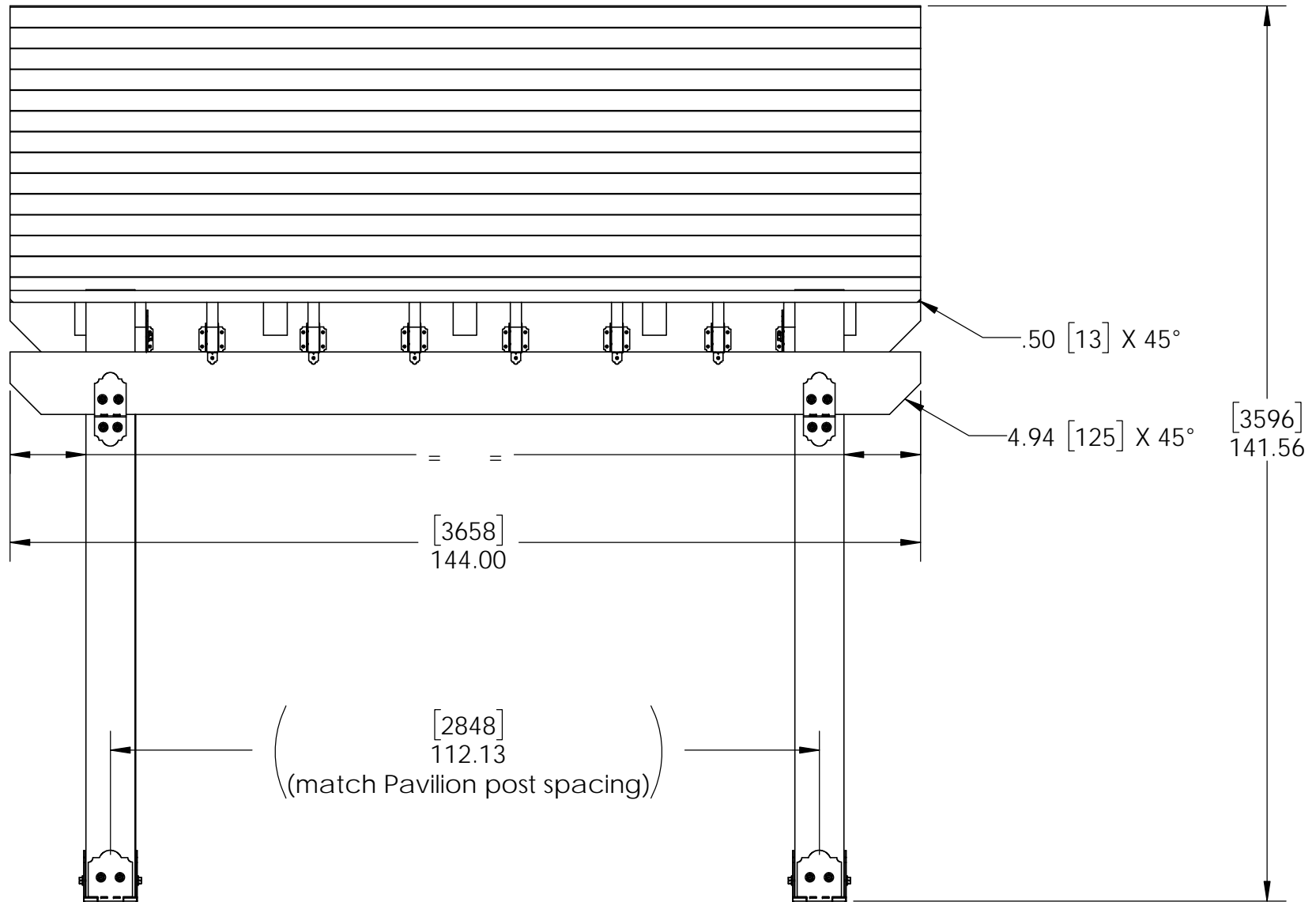
Overview-Front

OZCO Project #329 - Pergola-Pavilion 8x8 Posts



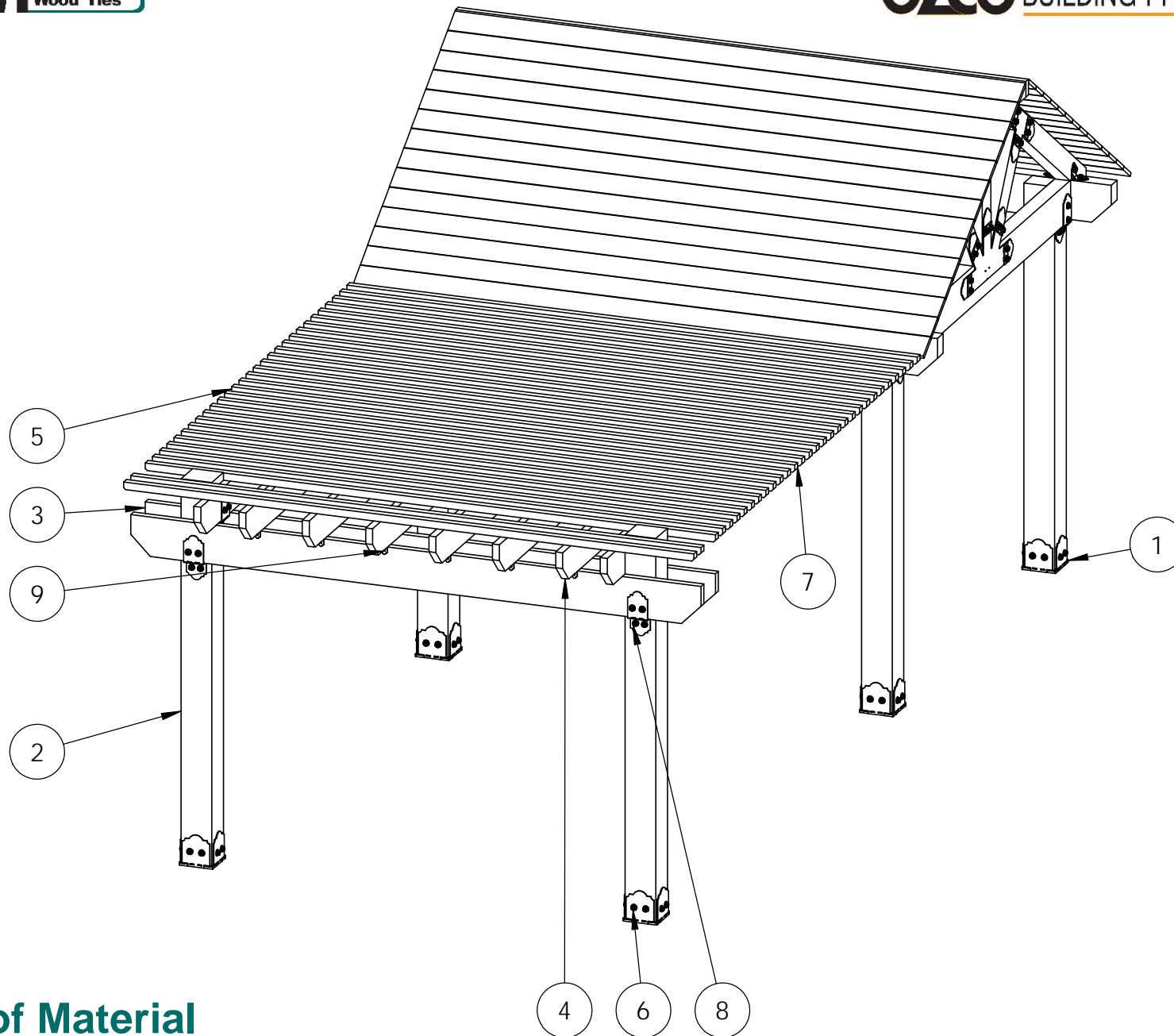
Overview-Top

OZCO Project #329 - Pergola-Pavilion 8x8 Posts



Overview-Left

OZCO Project #329 - Pergola-Pavilion 8x8 Posts



Bill of Material

OZCO Project #329 - Pergola-Pavilion 8x8 Posts

V2.00 - Installation Instructions, Specifications and Project Plans are effective 7/9/2016 . This information is updated periodically and should not be relied upon after 2 years from 7/9/2016 . Please visit OZCOBP.com to get current information.

ITEM NO.	QTY.	PART NUMBER	DESCRIPTION
1	1	OZCO Project #210 - Wood Post & Beam Pavilion - Free Standing	See Ozcobp.com for project plans
2	2	8x8 Cedar Post	8x8x96.00
3	2	2x10 Cedar Board	2x12x144.00
4	8	2x8 Cedar Board	2x8x168.00
5	31	2x2 Cedar Board	2x2x144.00
6	2	56609	8x8 Post Base (8x8-PB-LS)
7	1.328	56639	6-8" Joist Hanger Flush (JHF-68-LS)
8	3	56610	8" Post to Beam (P2B-LS-8)
9	0.6	56617	2" Standard Rafter Clip (RC-LS-2)

Bill of Material

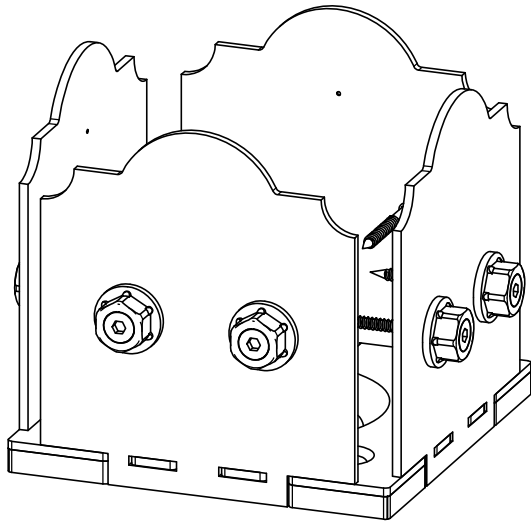
OZCO Project #329 - Pergola-Pavilion 8x8 Posts

V2.00 - Installation Instructions, Specifications and Project Plans are effective 7/9/2016 . This information is updated periodically and should not be relied upon after 2 years from 7/9/2016 . Please visit OZCOBP.com to get current information.

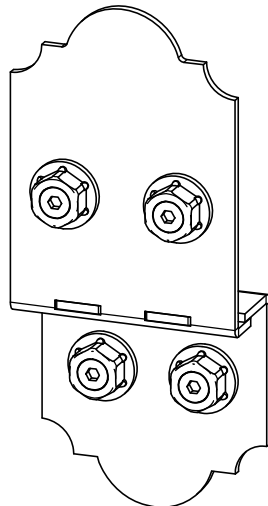
QTY.	PART NUMBER	DESCRIPTION
1	OZCO Project #210 - Wood Post & Beam Pavilion - Free Standing	
2	56609	8x8 Post Base (8x8-PB-LS)
2	56639	6-8" Joist Hanger Flush (JHF-68-LS)
3	56610	8" Post to Beam (P2B-LS-8)
1	56617	2" Standard Rafter Clip (RC-LS-2)
2	8x8x8L	8x8x8
2	2x10x12L	2x12x12
8	2x8x14L	2x8x14
31	2x2x12L	2x2x12

Bill of Material

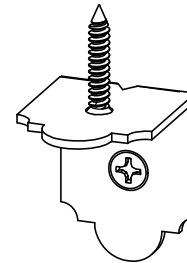
OZCO Project #329 - Pergola-Pavilion 8x8 Posts



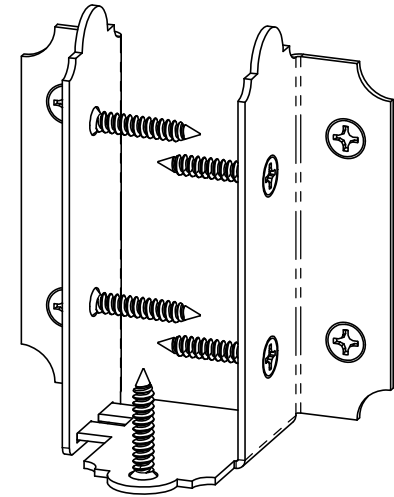
56609



56610

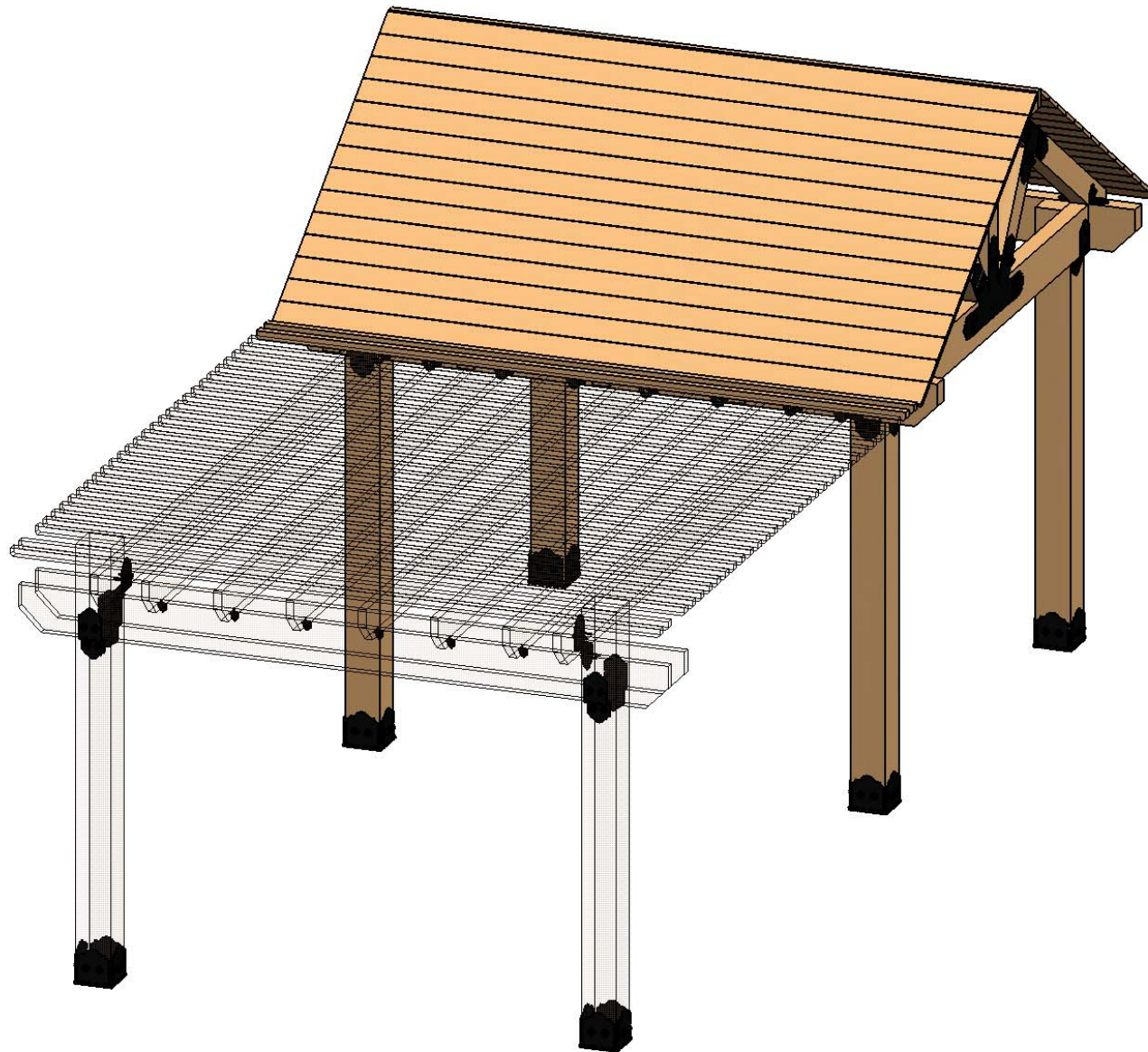


56617



56639





Translucent

OZCO Project #329 - Pergola-Pavilion 8x8
Posts