

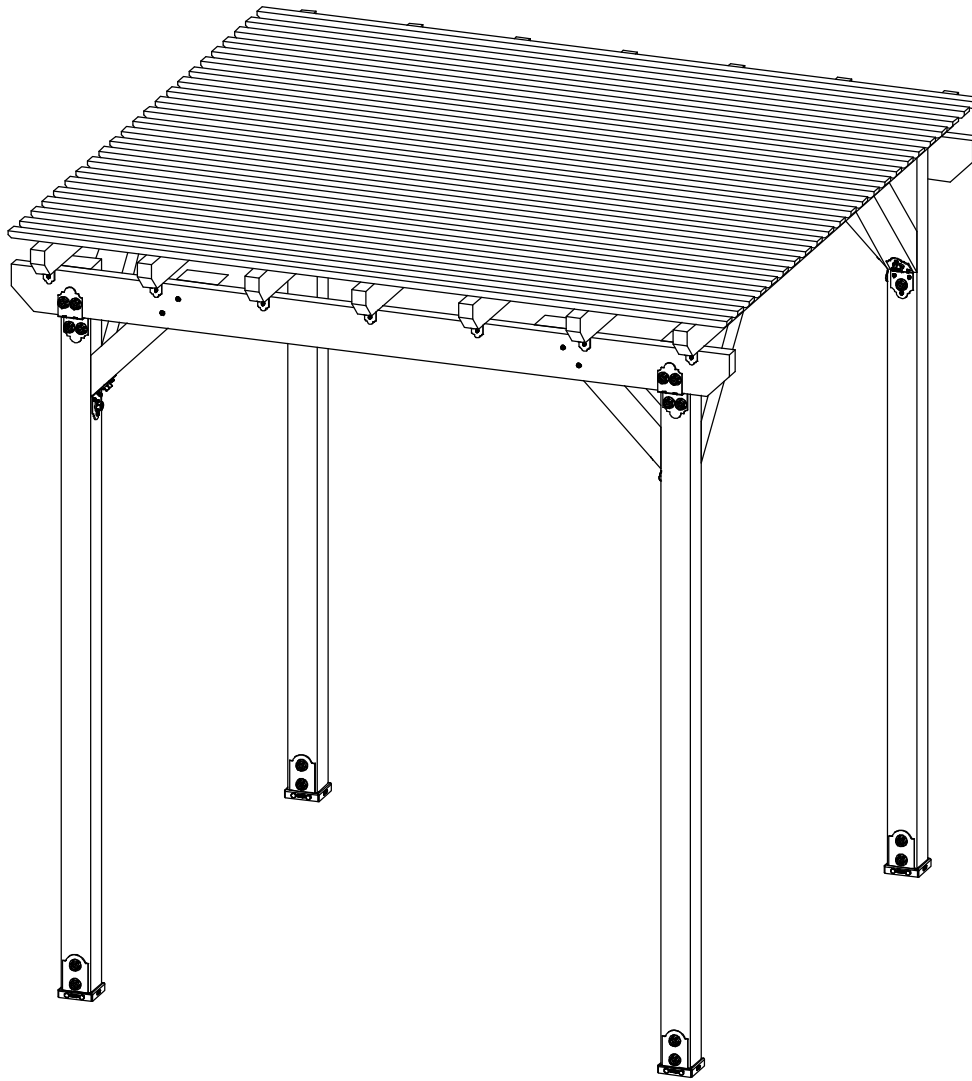
DESIGN

PURCHASE

CONSTRUCT

ENJOY

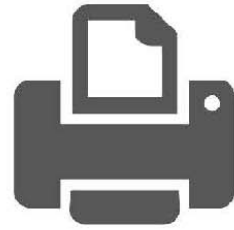
OZCO Project #282 - Pergola 8x8 with 4x4 Posts with Lite Products



OZCO BUILDING PRODUCTS ■■■

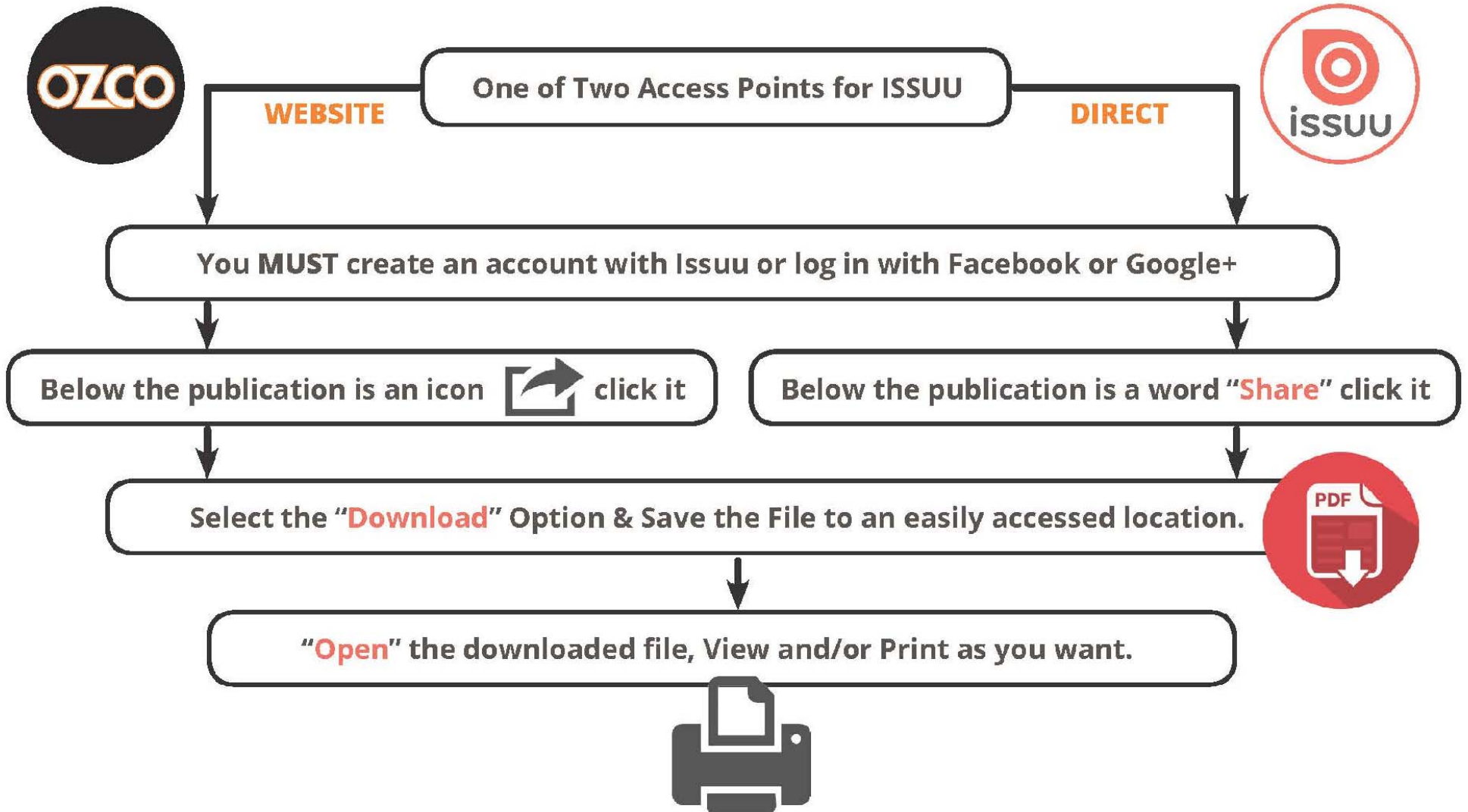
OZCO Project #282 - Pergola 8x8 with 4x4 Posts with Lite Products

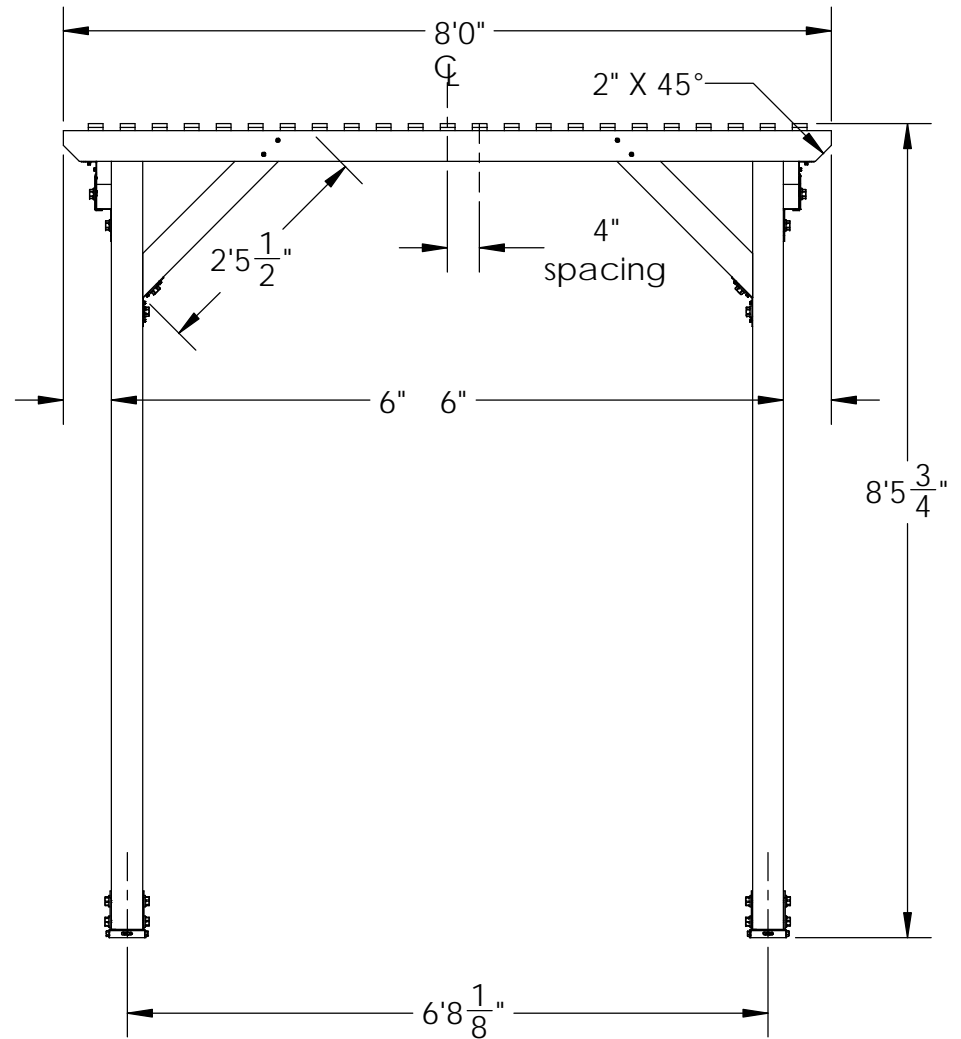
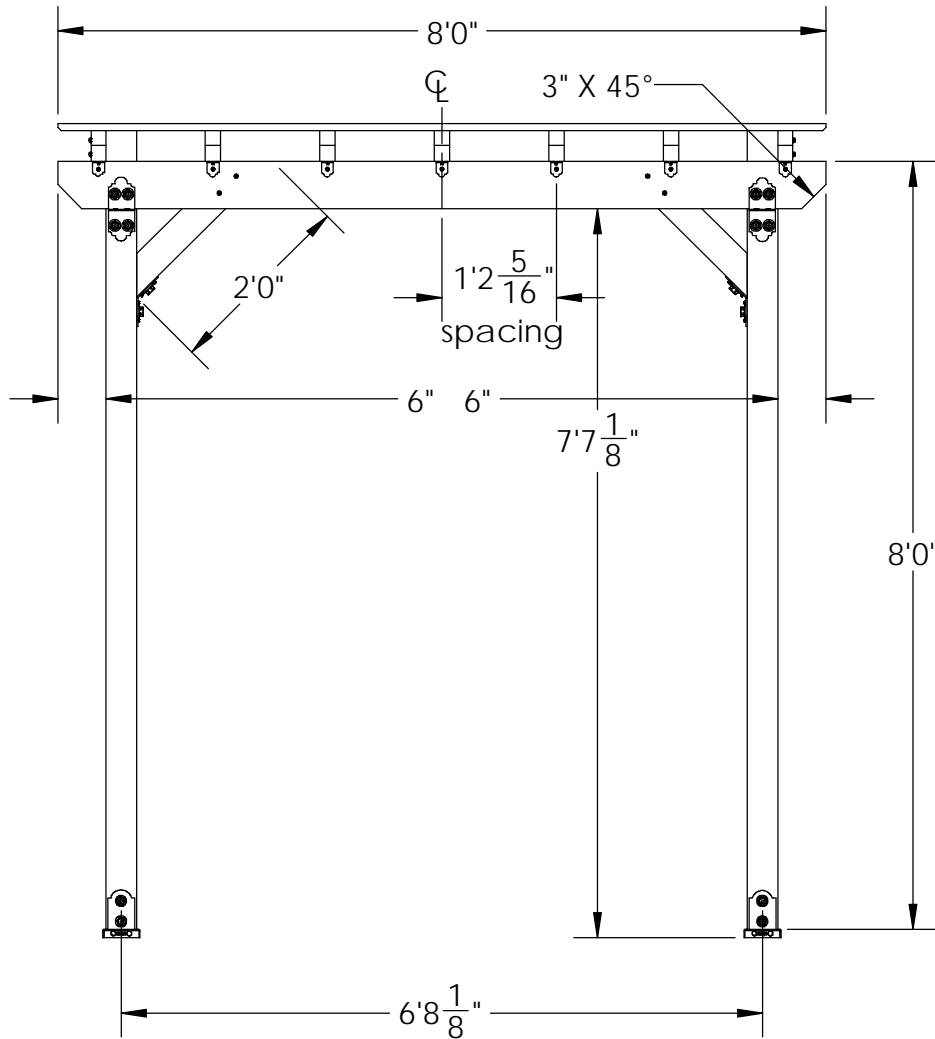
V2.00 - Installation Instructions, Specifications and Project Plans are effective 11/27/2017 . This information is updated periodically and should not be relied upon after 2 years from 11/27/2017 . Please visit OZCOBP.com to get current information.



Printing Documents from ISSUU

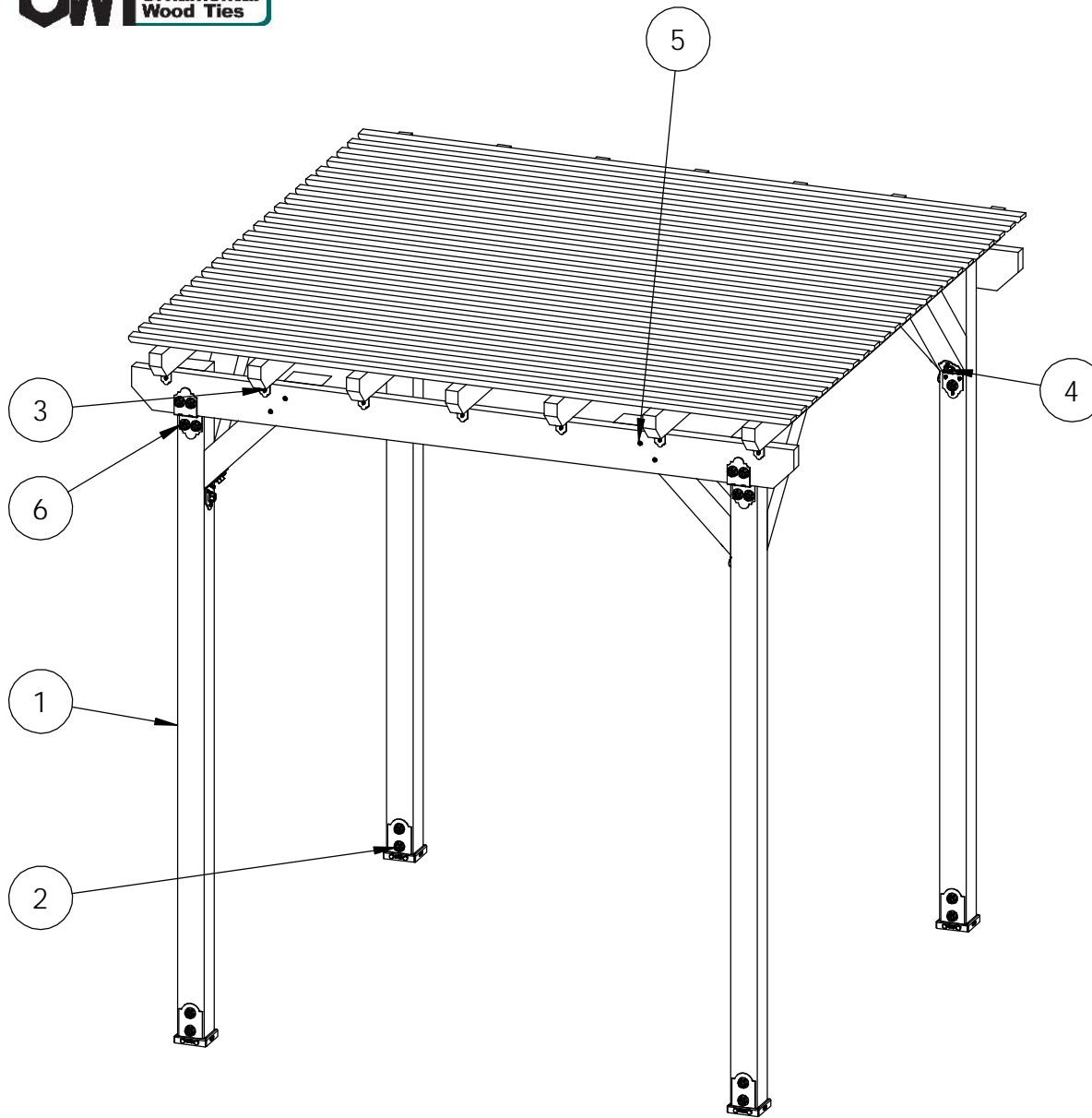
Unfortunately, there is currently no way to print content directly through issuu. To print a publication, you will need to download it and print it from your computer.





Overview

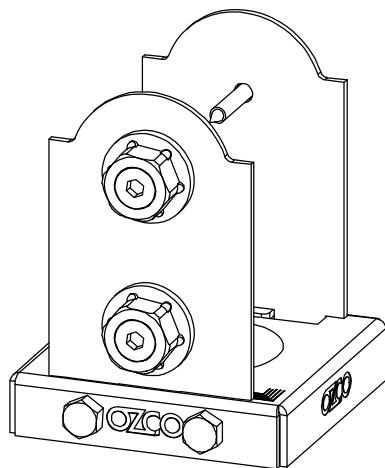
OZCO Project #282 - Pergola 8x8 with 4x4 Posts with Lite Products



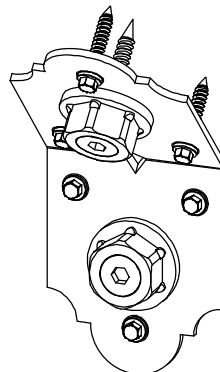
ITEM NO.	QTY.	PART NUMBER	DESCRIPTION
1	1	OZCO Project #282 - Pergola 8x8 with 4x4 Posts with Lite Products	see cutlist
2	4	54207	Lite 4X4 Post Base (4X4-PB-LSL)
3	2	56617	2" Standard Rafter Clip (RC-LS-2)
4	2	56668	4" Flush Inside 45 (FI45-LS-4)
5	1	56627	OWT Timber Screw 3-3/4"
6	2	56675	4" Post to Beam (P2B-LS-4)

Bill of Material

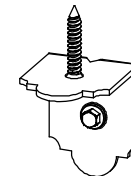
OZCO Project #282 - Pergola 8x8 with 4x4 Posts with Lite Products



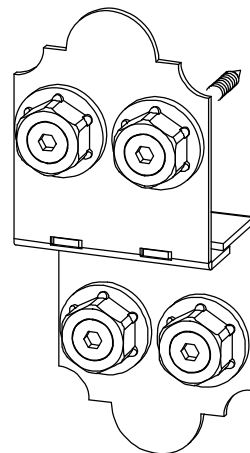
54207



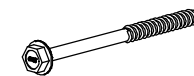
56668



56617

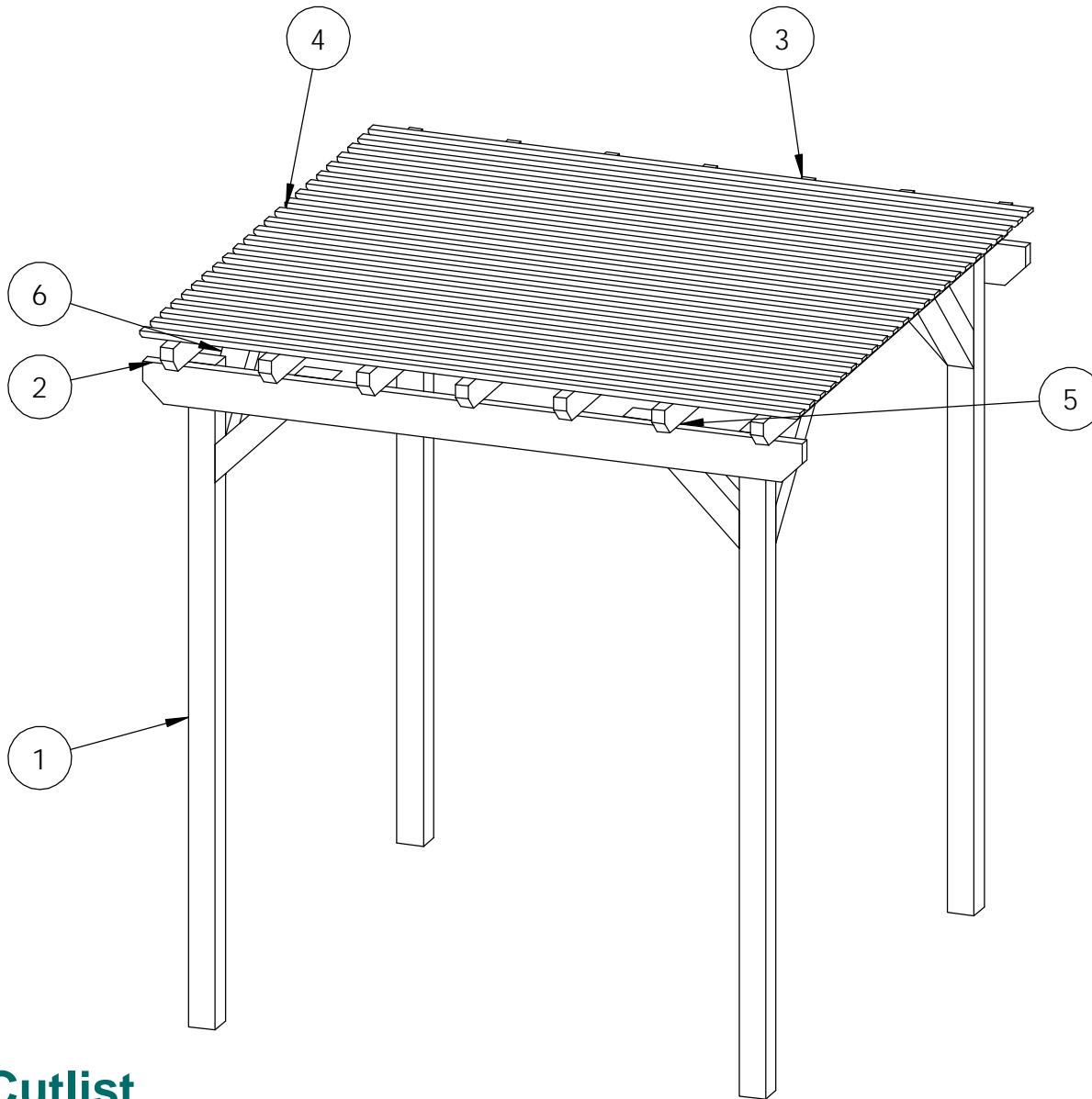


56675



56627

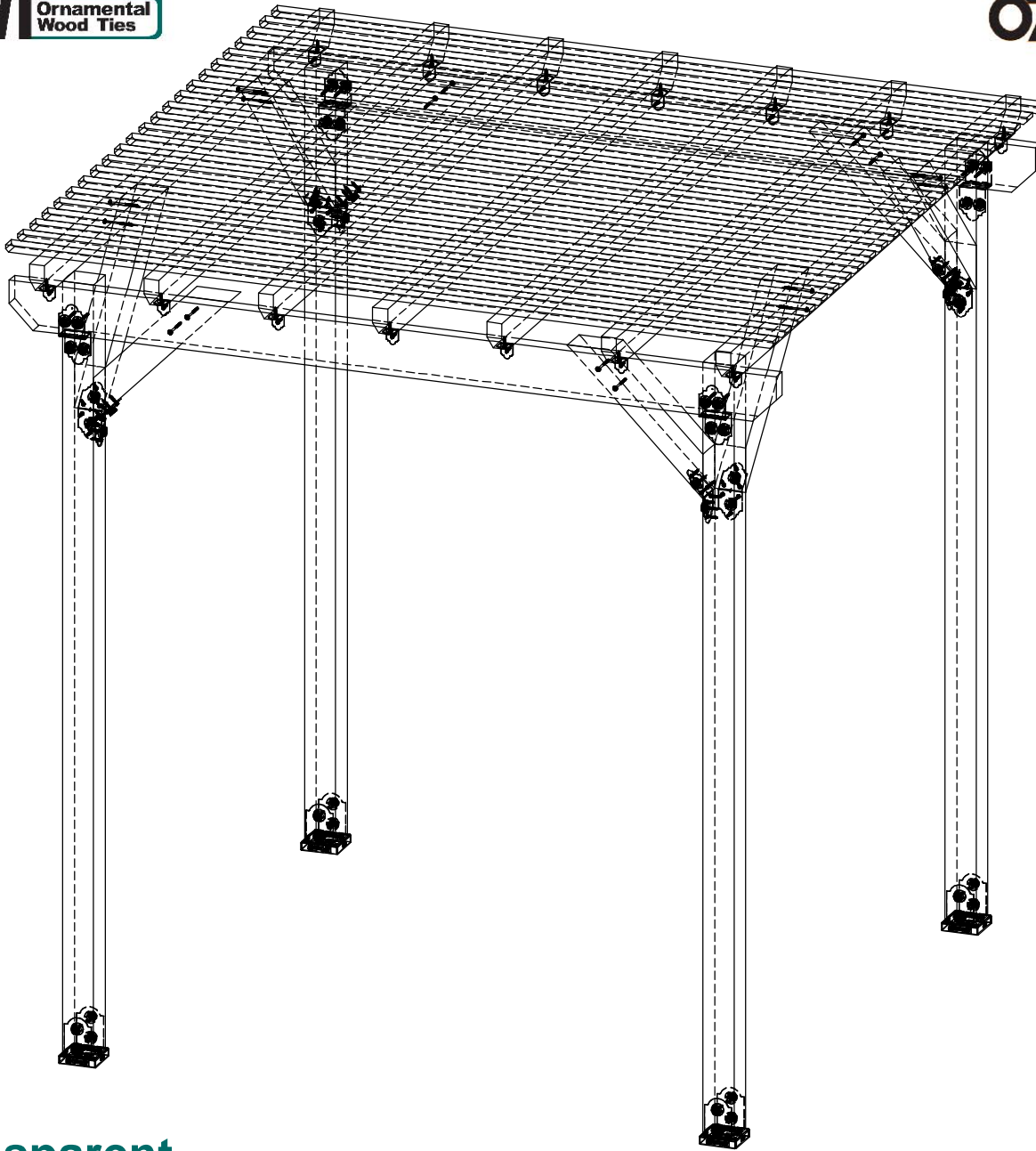




ITEM NO.	QTY.	DESCRIPTION	LENGTH
1	4	4x4 Cedar	8'
2	2	2x6 Cedar	8'
3	7	2x4 Cedar	8'
4	23	1x2 Cedar	8'
5	4	4x4 Cedar	2'
6	4	4x4 Cedar	2'5 1/2"

Cutlist

OZCO Project #282 - Pergola 8x8 with 4x4 Posts with Lite Products



Transparent

OZCO Project #282 - Pergola 8x8 with 4x4
Posts with Lite Products