

DESIGN

PURCHASE

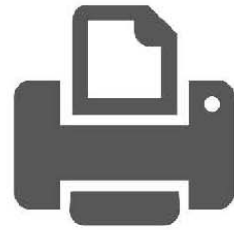
CONSTRUCT

ENJOY

OZCO Project #112 - Rustic Bench

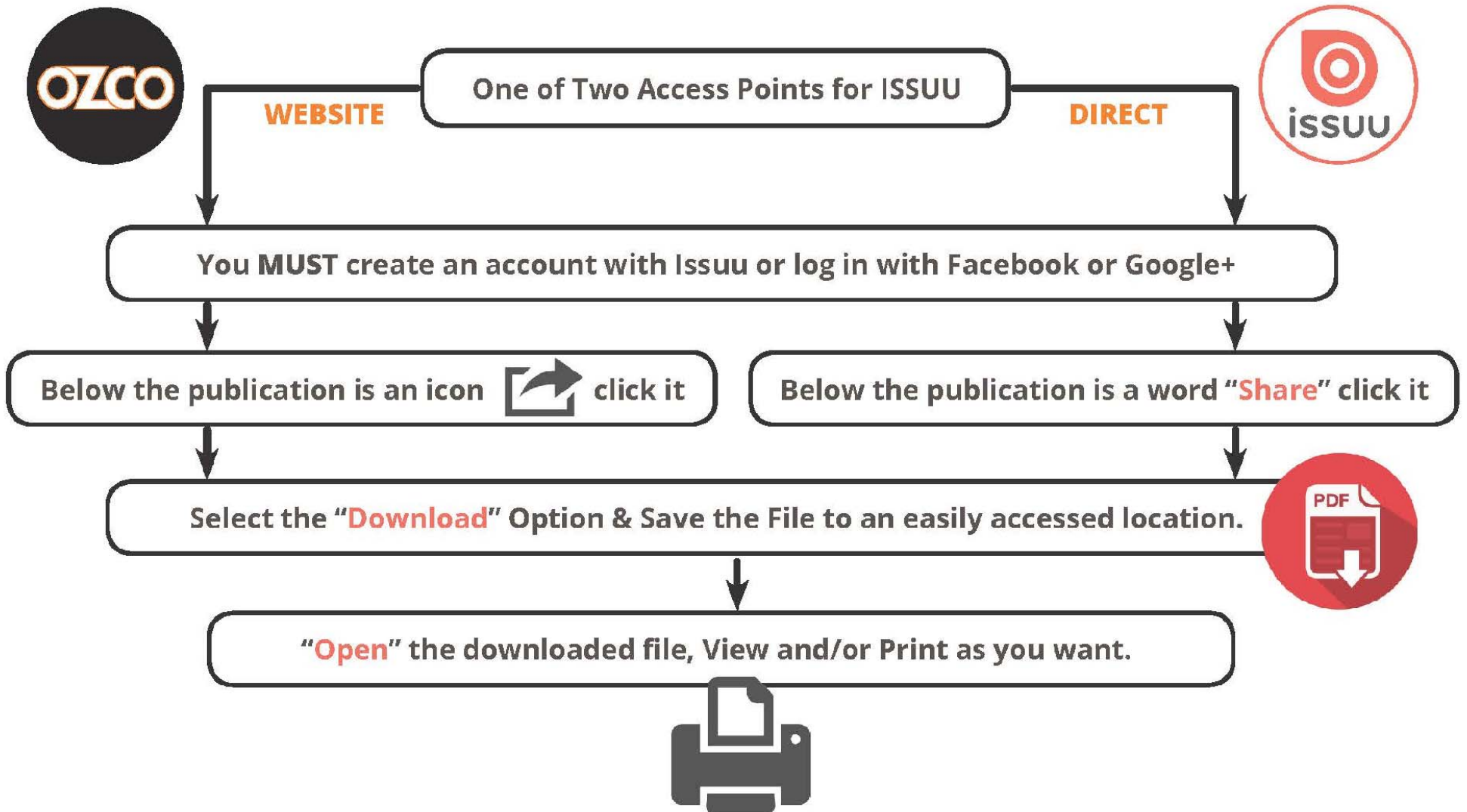


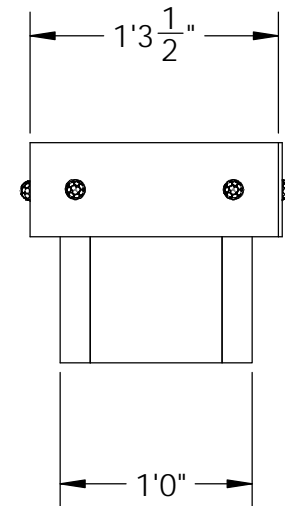
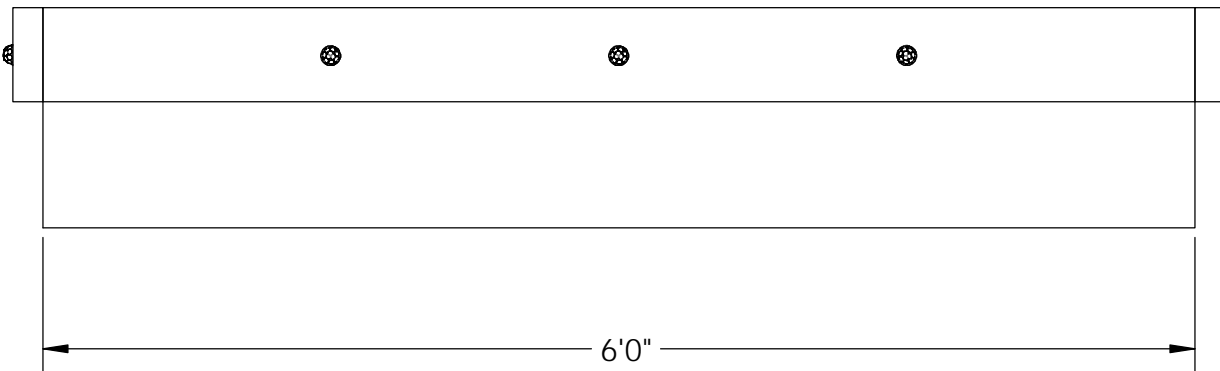
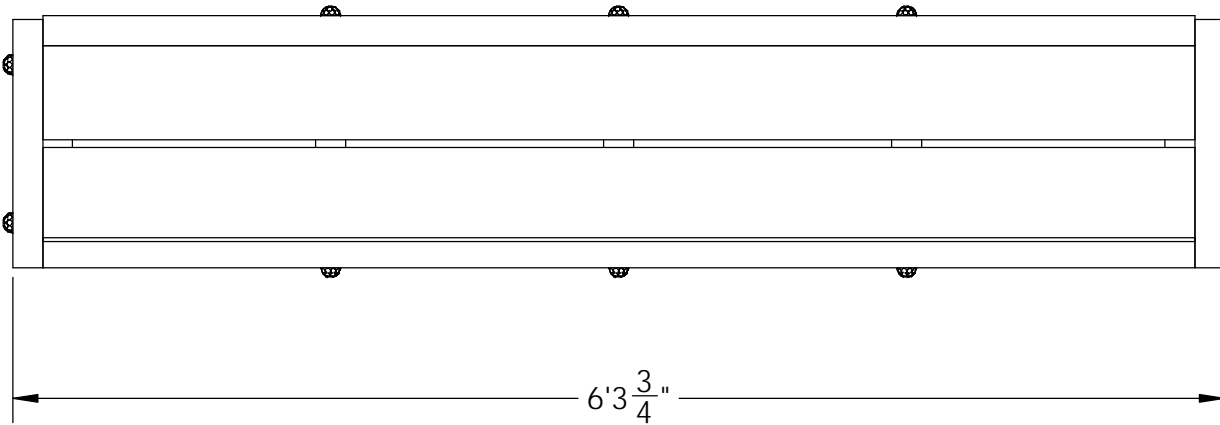
OZCO BUILDING PRODUCTS ■■■



Printing Documents from ISSUU

Unfortunately, there is currently no way to print content directly through issuu. To print a publication, you will need to download it and print it from your computer.



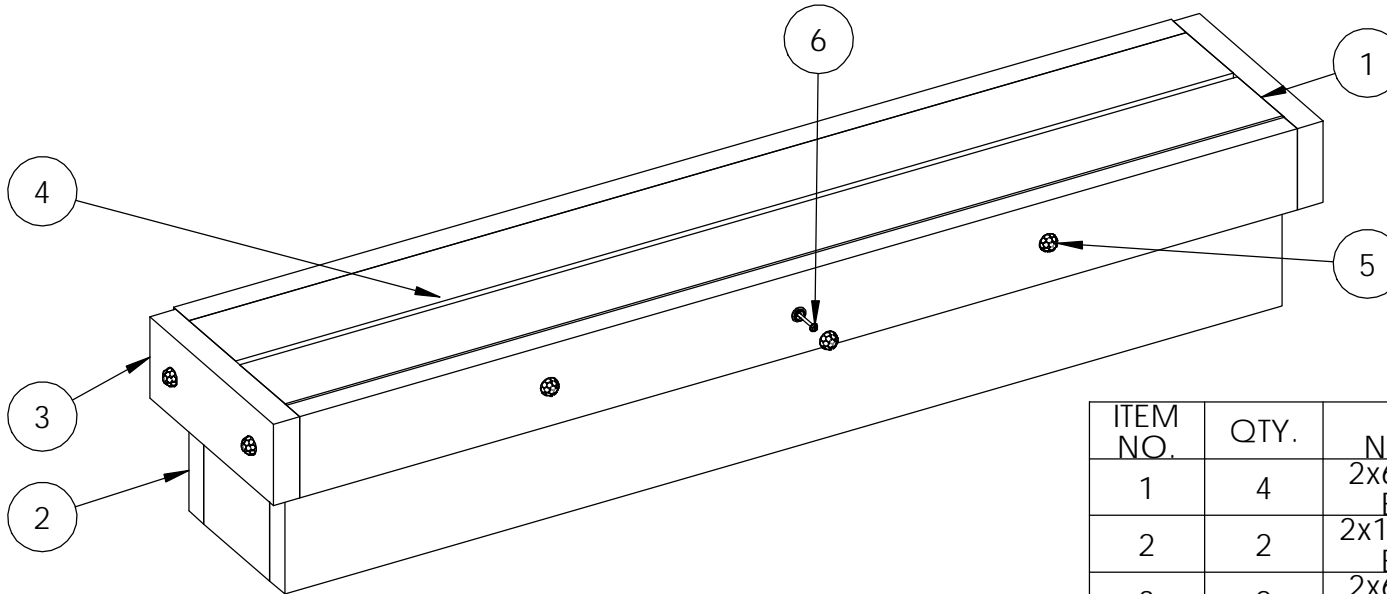


Overview

OZCO Project #112 - Rustic Bench

Material List

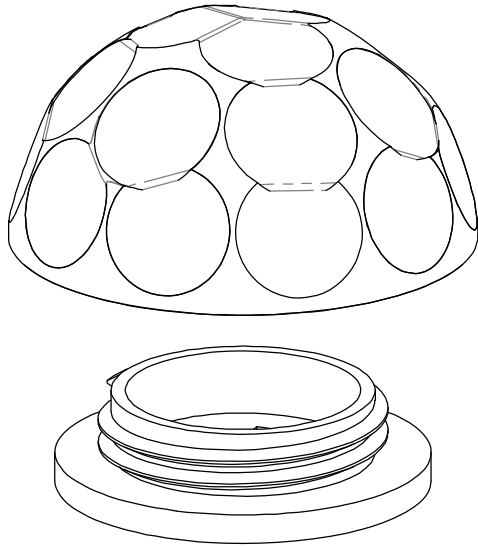
QTY.	PART NUMBER	DESCRIPTION
1	56622	1-1/4" Hammered Dome Cap Nut
1	56628	Screw, OWT 5-3/4" (145mm) Timber
2	2x6x12L	2x6x16
1	2x12x12L	2x12x12
1	2x12X6L	2x12x6
1	2x6x6L	2x6x6



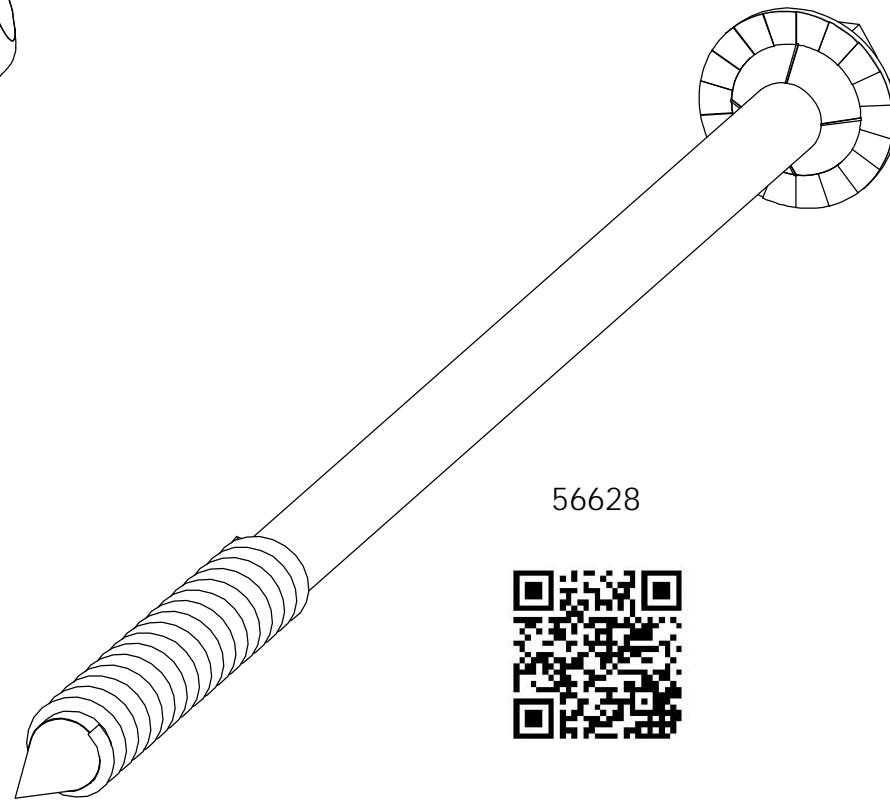
ITEM NO.	QTY.	PART NUMBER	DESCRIPTION
1	4	2x6 Cedar Board	2x6x6'0"
2	2	2x12 Cedar Board	2x12x6'0"
3	2	2x6 Cedar Board	2x6x1'3 1/2"
4	5	2x12 Cedar Board	2x12x8 1/4"
5	1	56622	1-1/4" Hammered Dome Cap (DCN)
6	1	56628	Screw, OWT 5-3/4" (145mm) Timber

Bill of Material

OZCO Project #112 - Rustic Bench

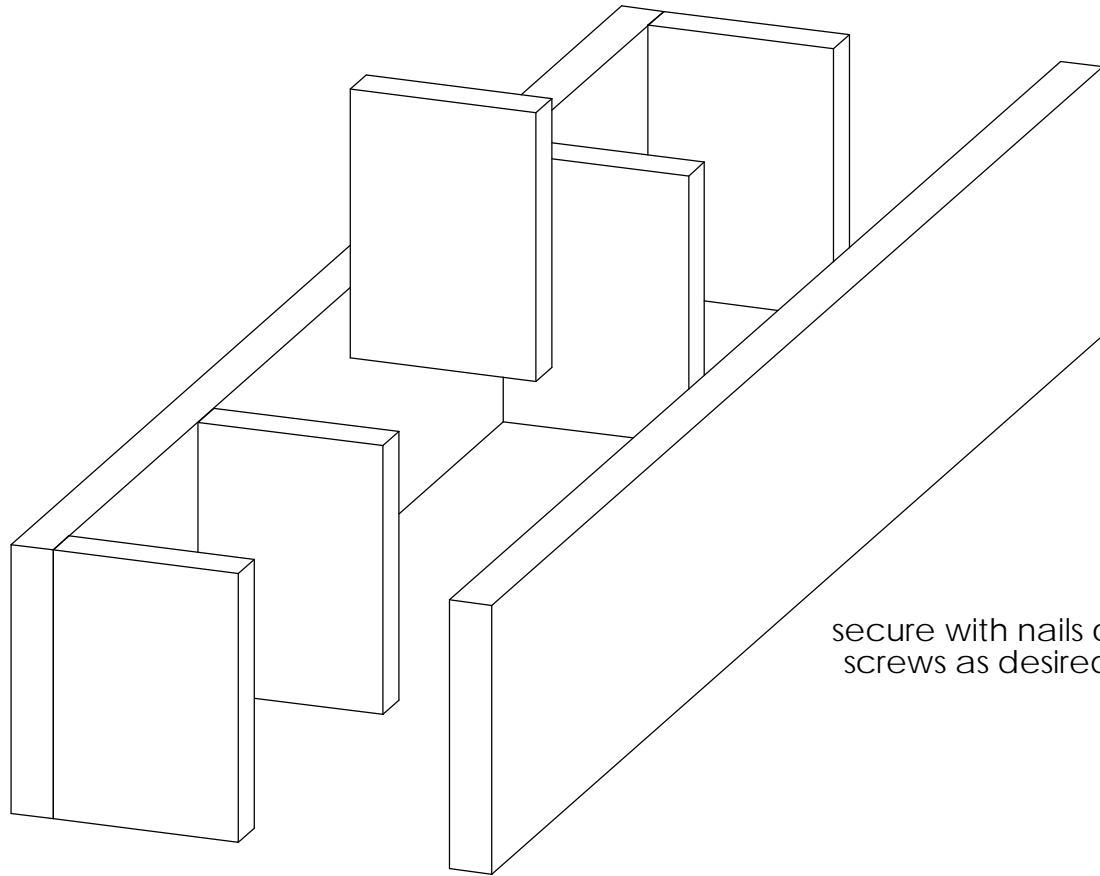


56622

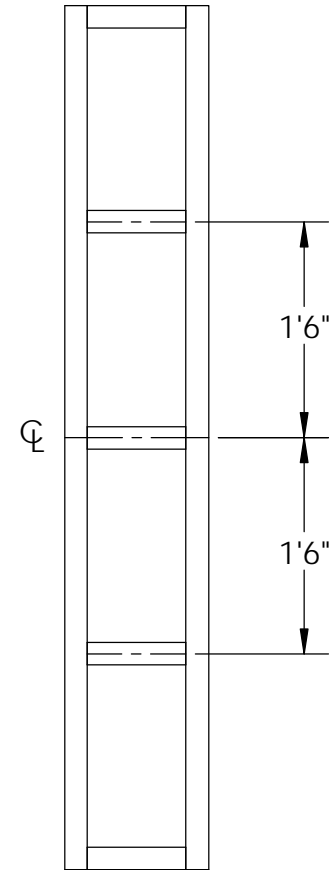


56628



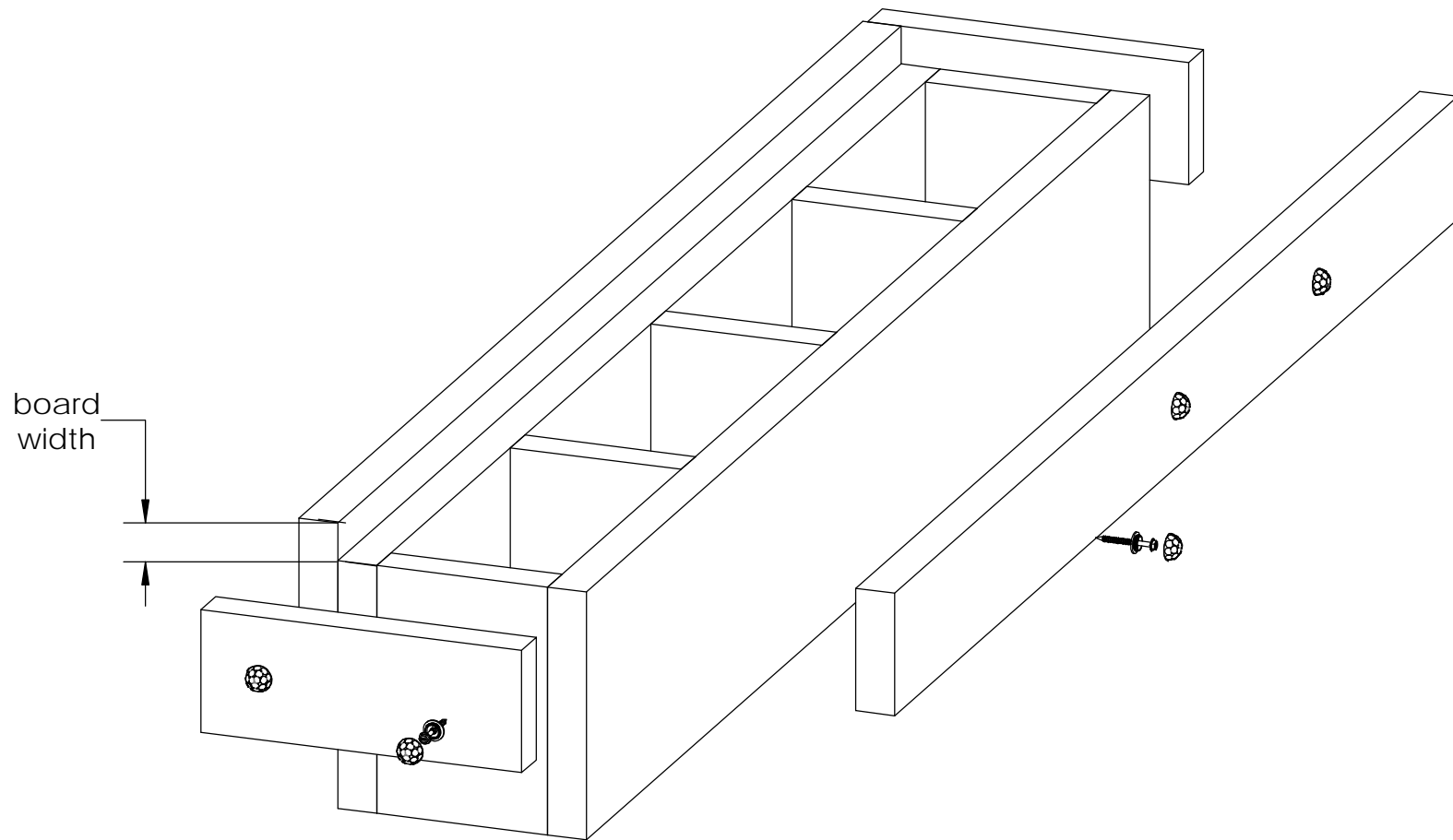


secure with nails or
screws as desired



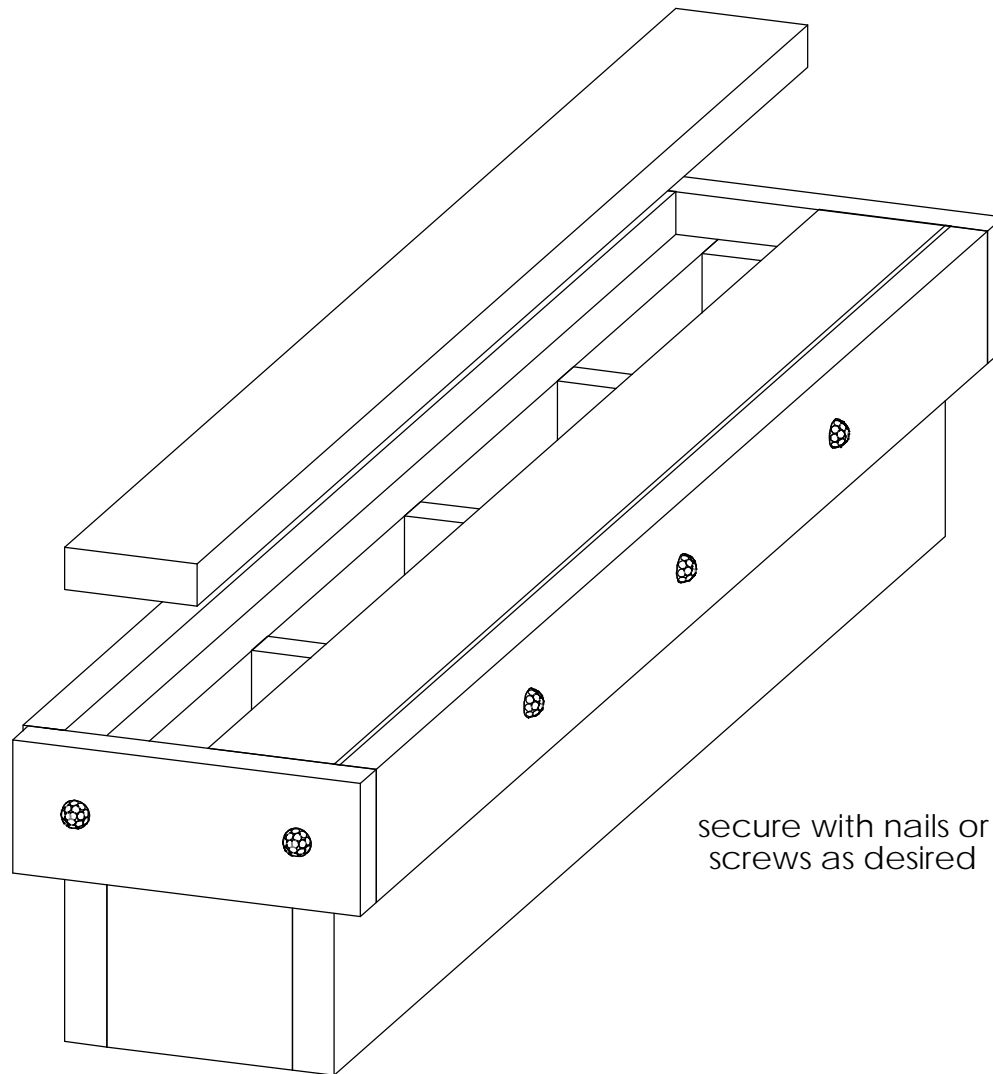
step 1

OZCO Project #112 - Rustic Bench



step 2

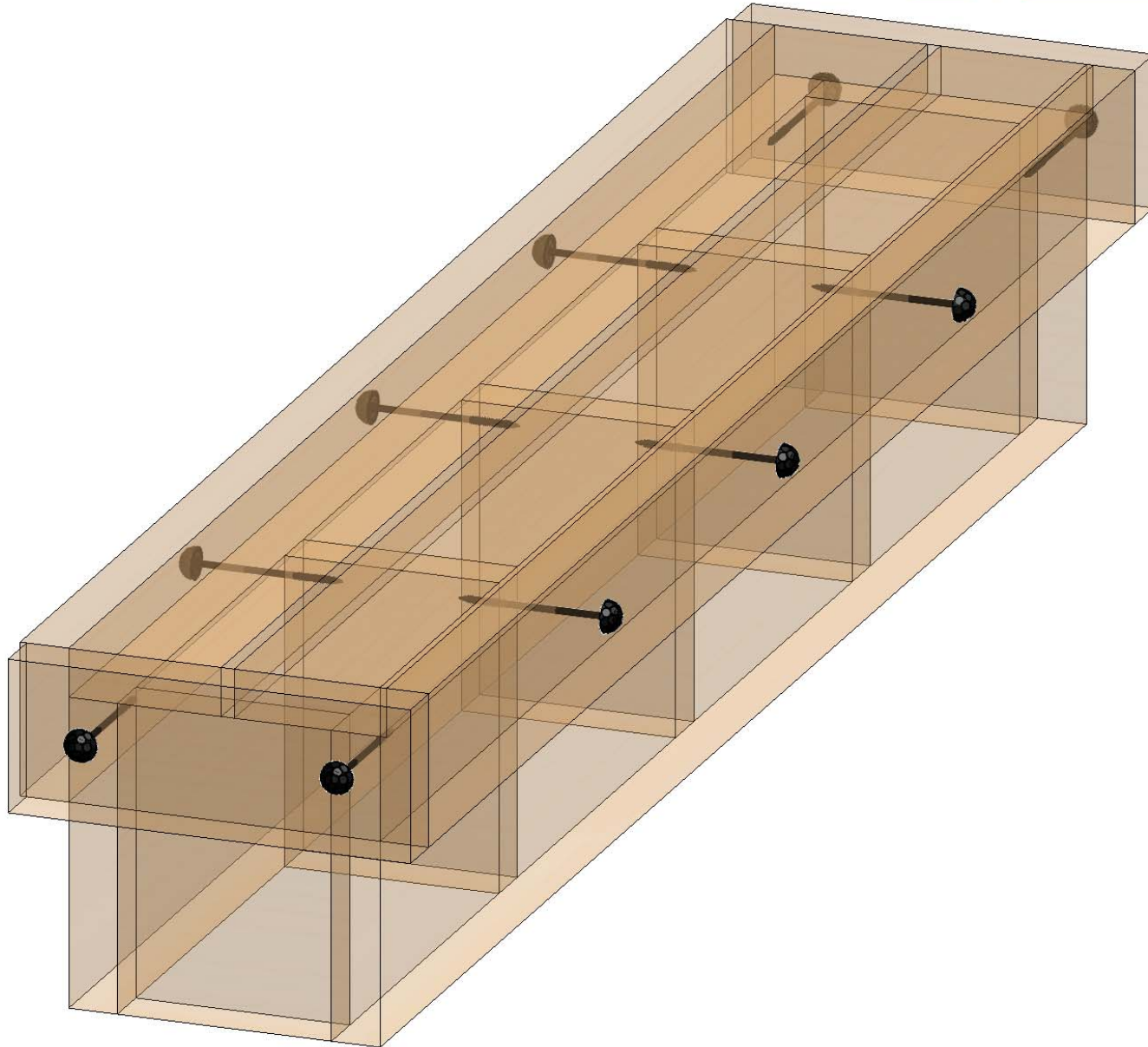
OZCO Project #112 - Rustic Bench



secure with nails or
screws as desired

step 3

OZCO Project #112 - Rustic Bench



Translucent

OZCO Project #112 - Rustic Bench