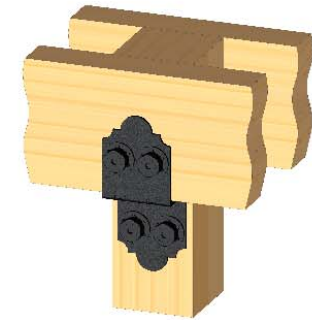
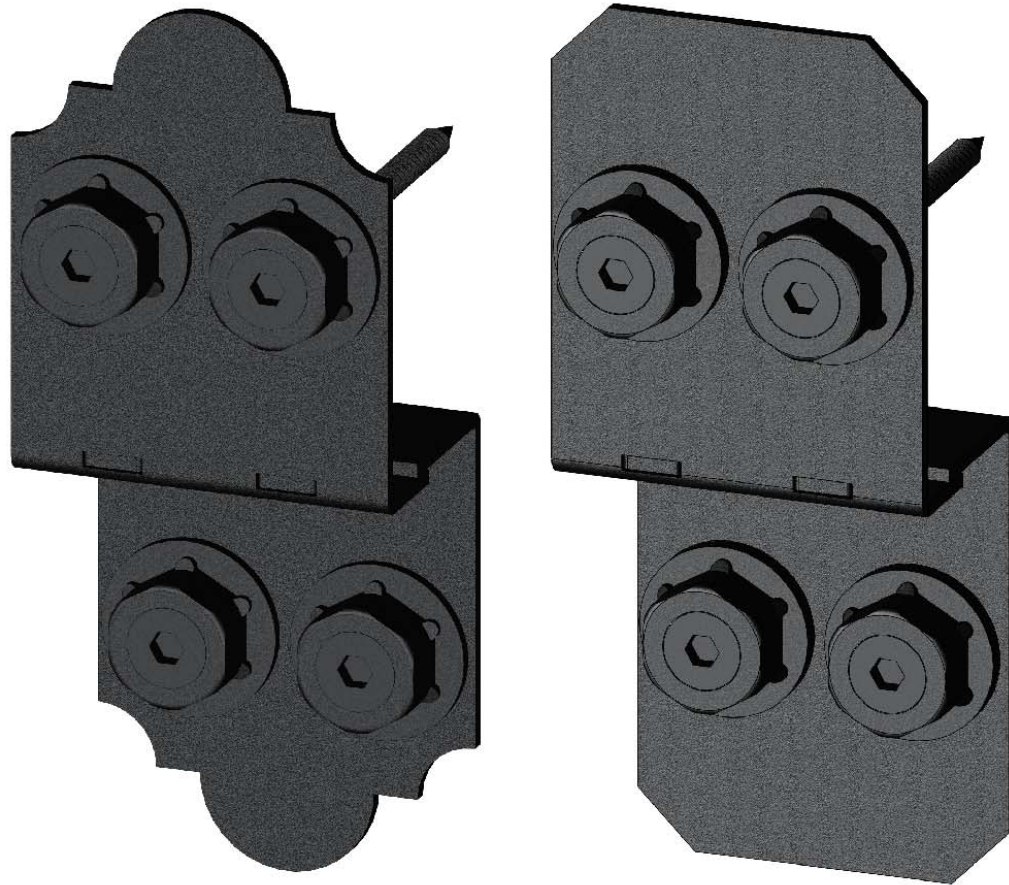
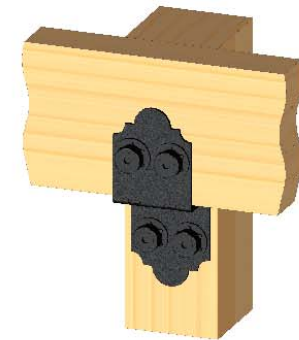


Installation Instructions, 56675 4" Post to Beam (P2B-LS-4) 51775 4" Post to Beam (P2B-IW-4)



double beam installation
requires connectors on
both sides of post



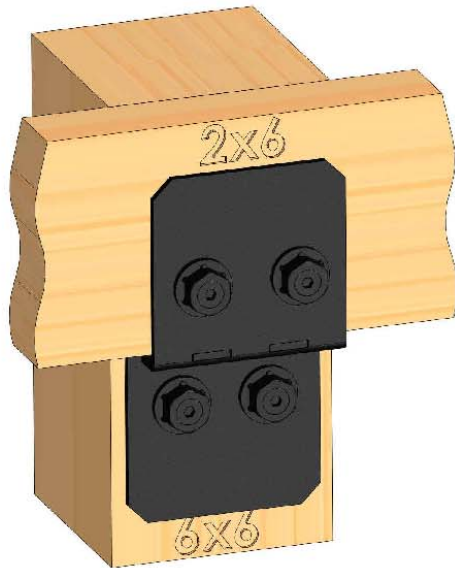
Typical Installation
Laredo Sunset shown



Laredo Sunset

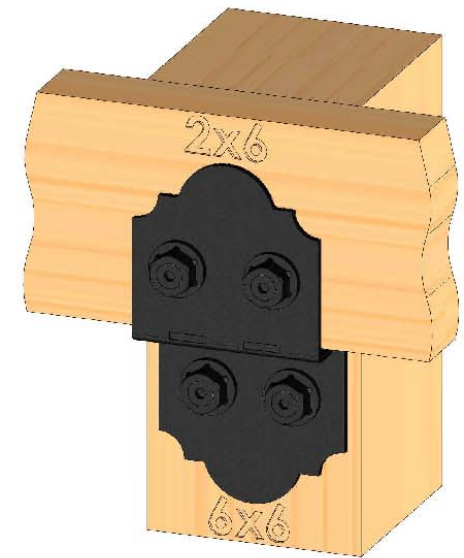
vs.

Ironwood



Ironwood
(517XX series)

2 great styles
same functionality



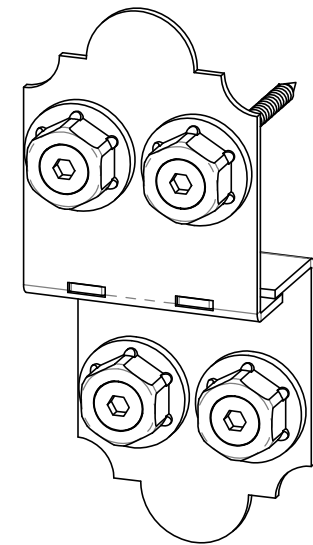
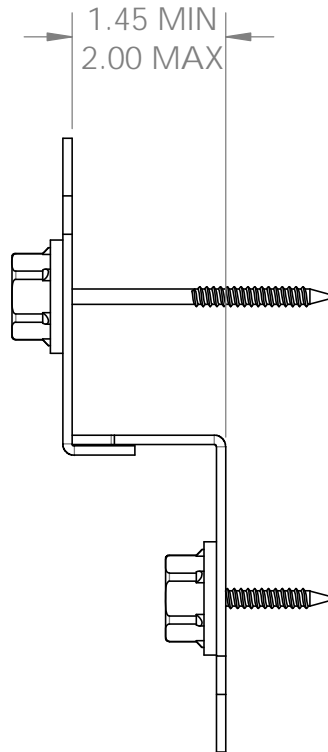
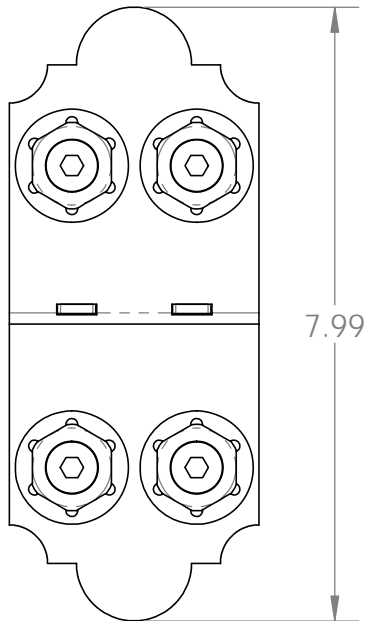
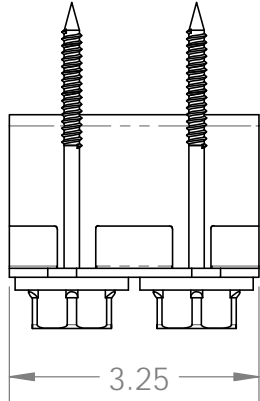
Laredo Sunset
(566XX series)

choose your connection lifestyle

both styles available for most products



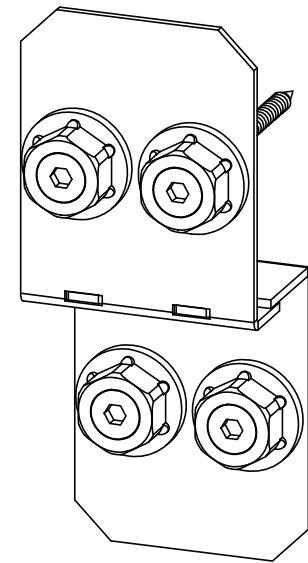
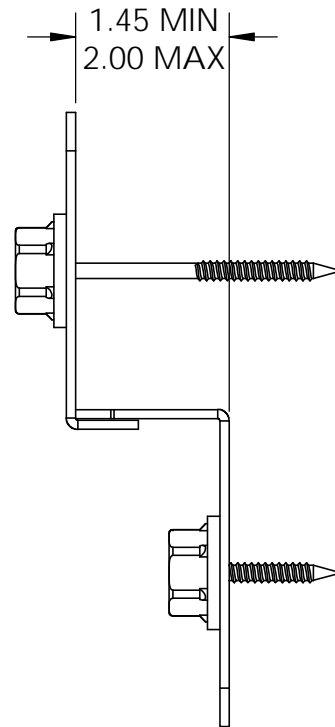
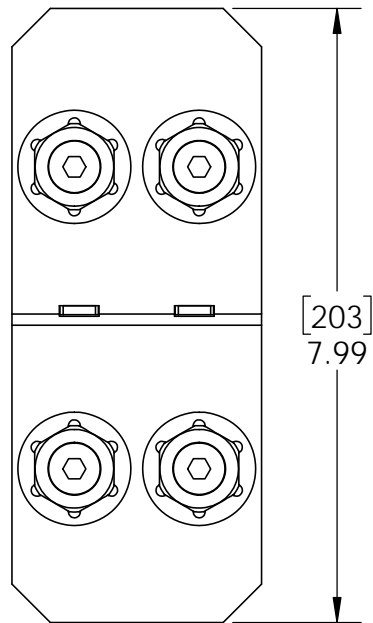
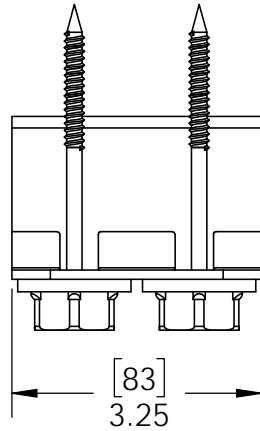
OZCO BUILDING PRODUCTS



kit includes 2 assemblies

56675

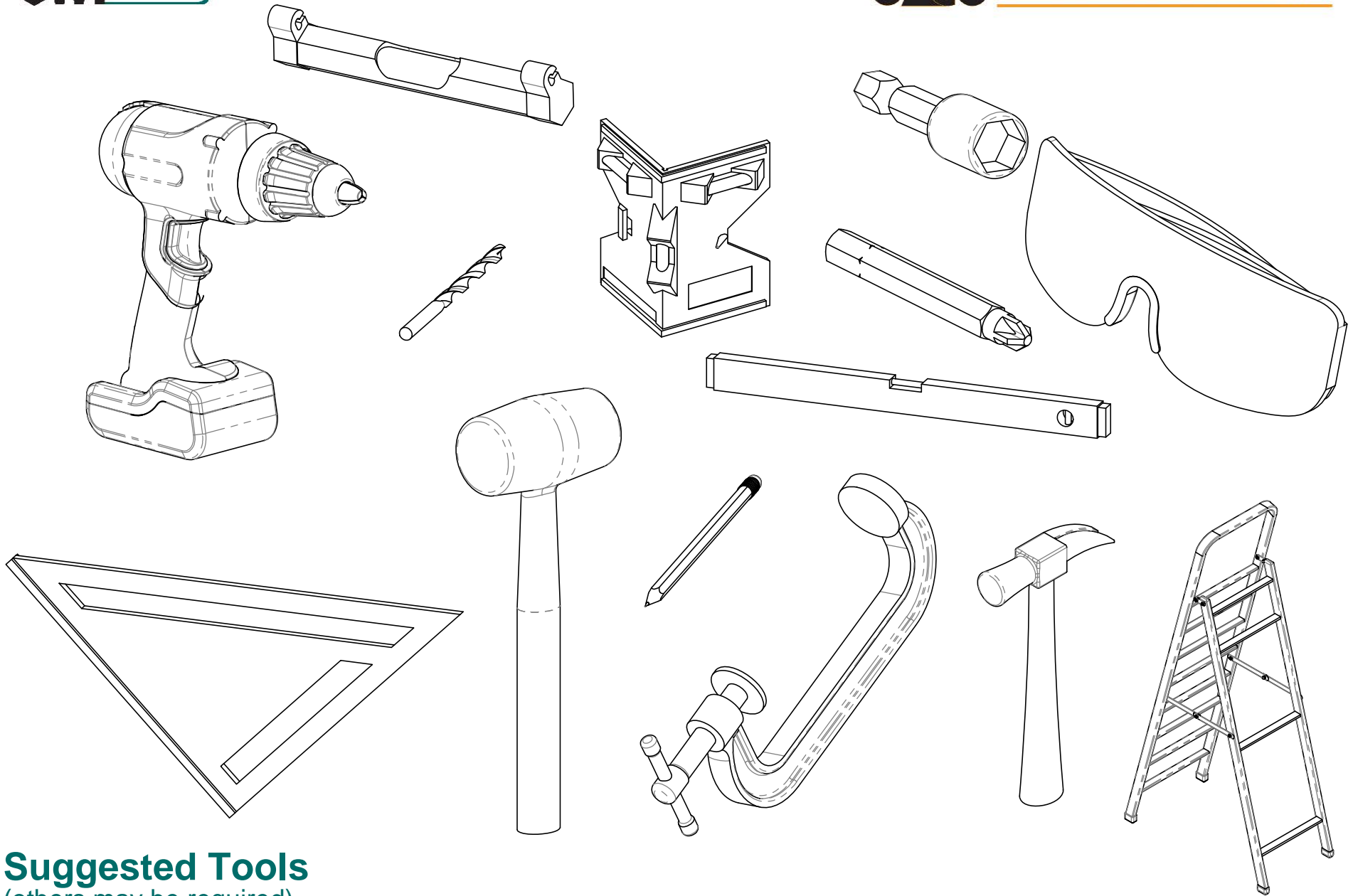
Installation Instructions, 56675



kit includes 2 assemblies

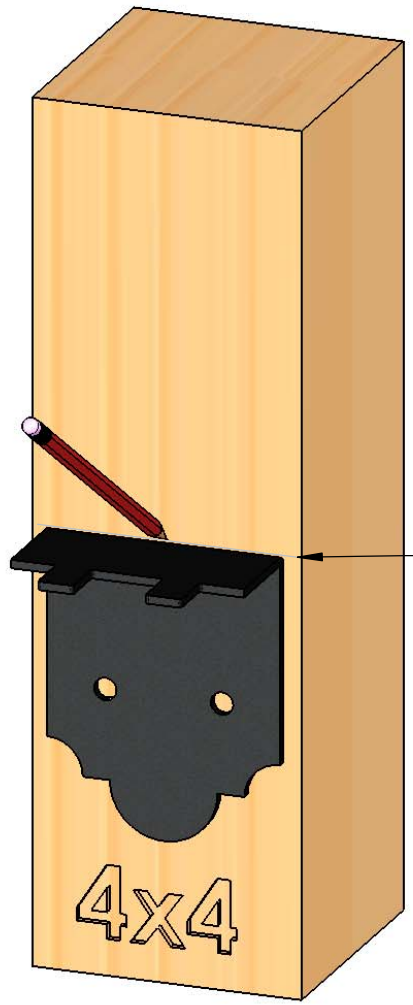
51775

Installation Instructions, 56675

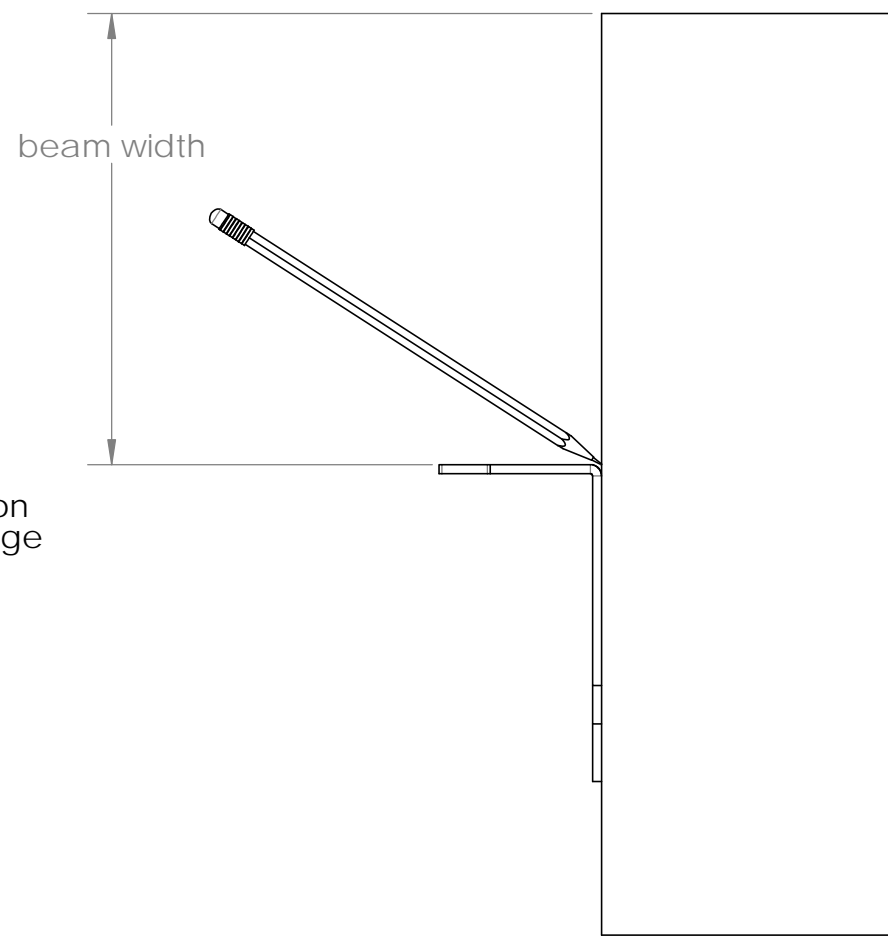


Suggested Tools

(others may be required)

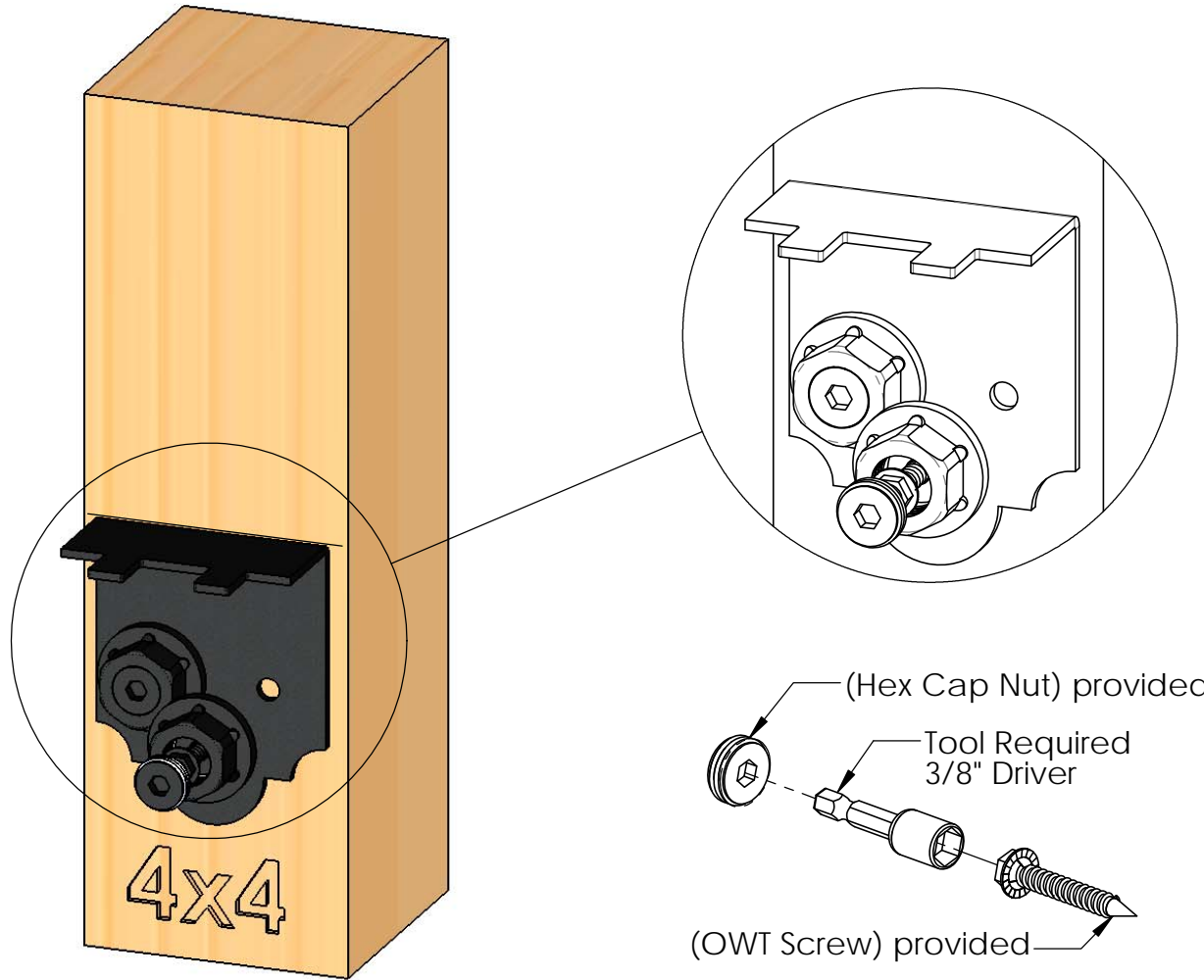


mark location
to mount ledge



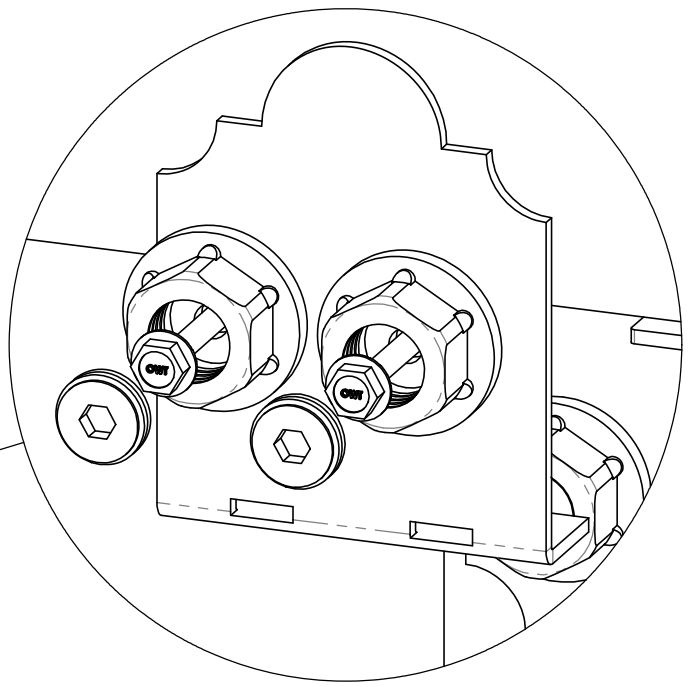
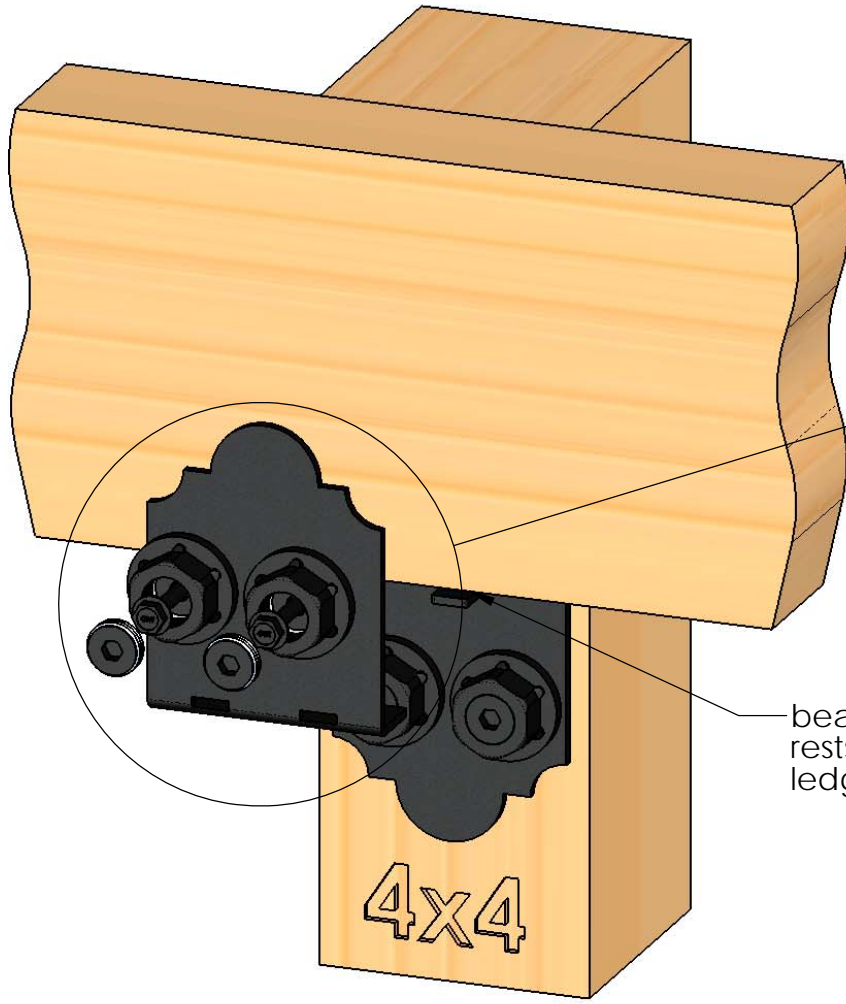
step 1

Installation Instructions, 56675



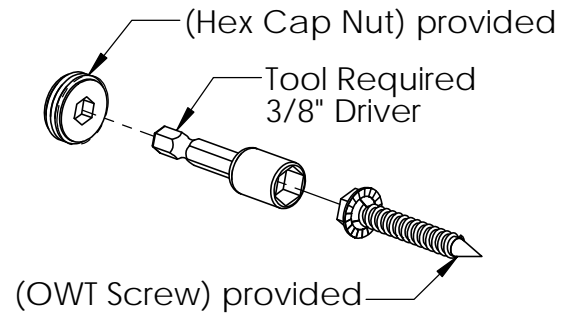
step 2

Installation Instructions, 56675



beam
rests on
ledge

4x4



step 3

Installation Instructions, 56675