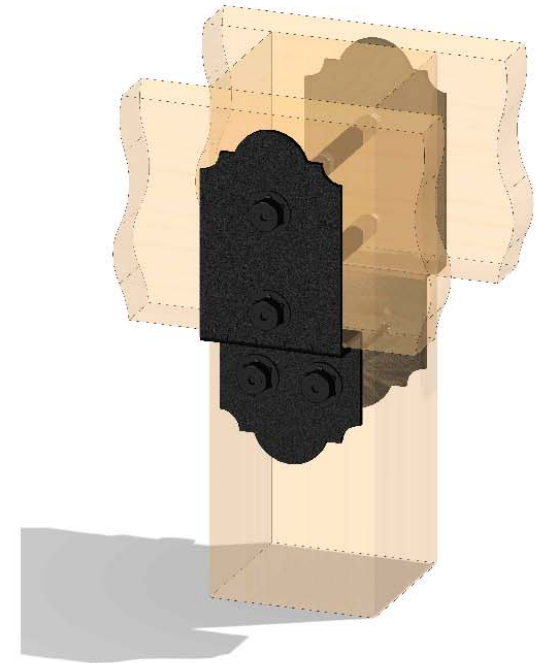
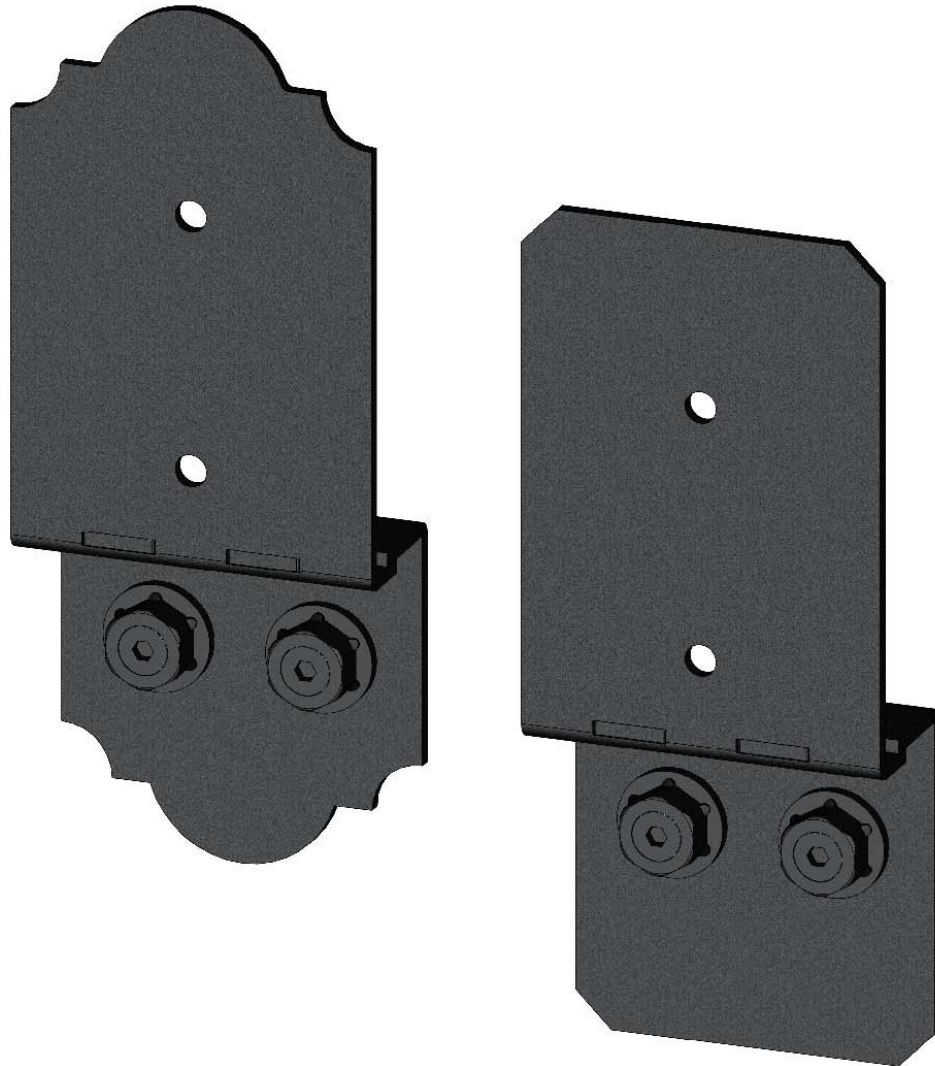


Installation Instructions, 56637 Bolt Inline (P2B-BI-LS) 51737 Bolt Inline (P2B-BI-IW)



Typical Installation with
Timber Bolts (sold separately)

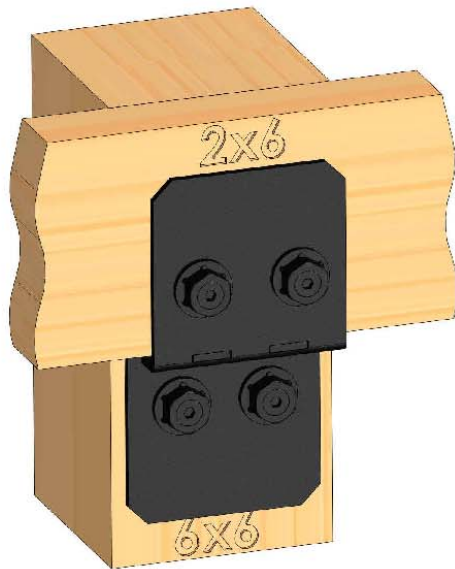
Laredo Sunset shown



Laredo Sunset

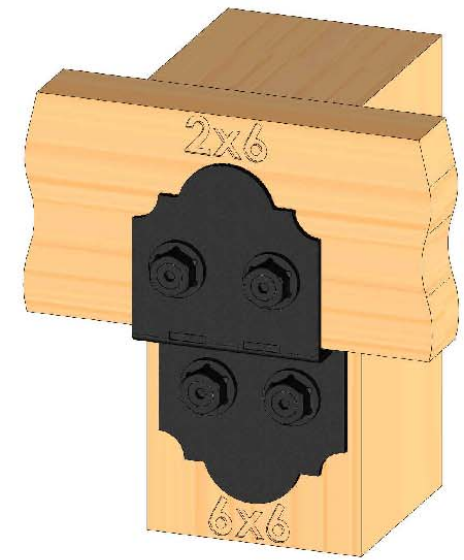
vs.

Ironwood



Ironwood
(517XX series)

2 great styles
same functionality



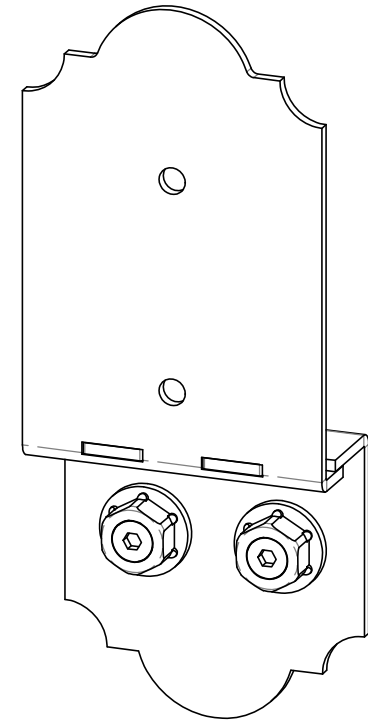
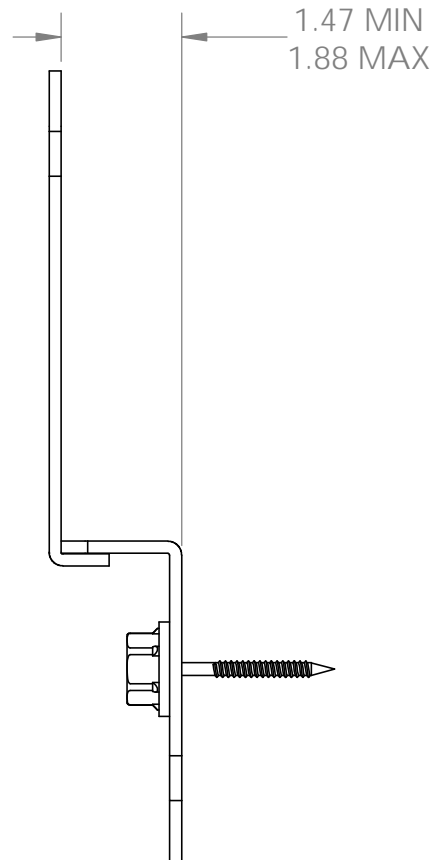
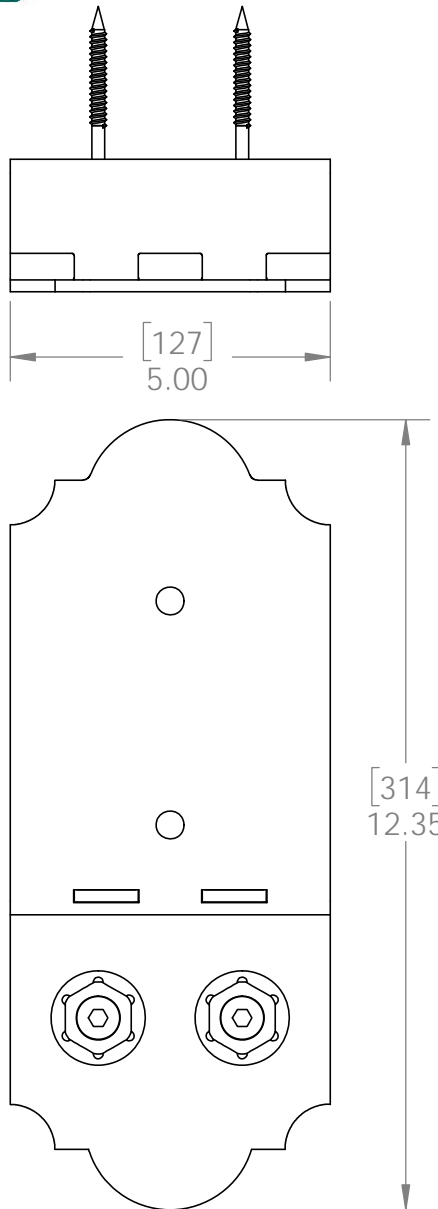
Laredo Sunset
(566XX series)

choose your connection lifestyle

both styles available for most products



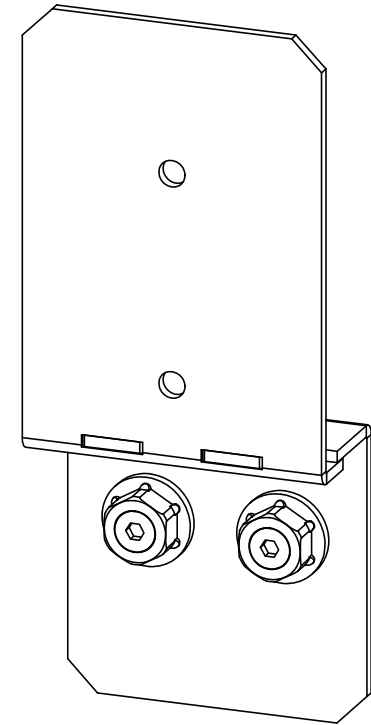
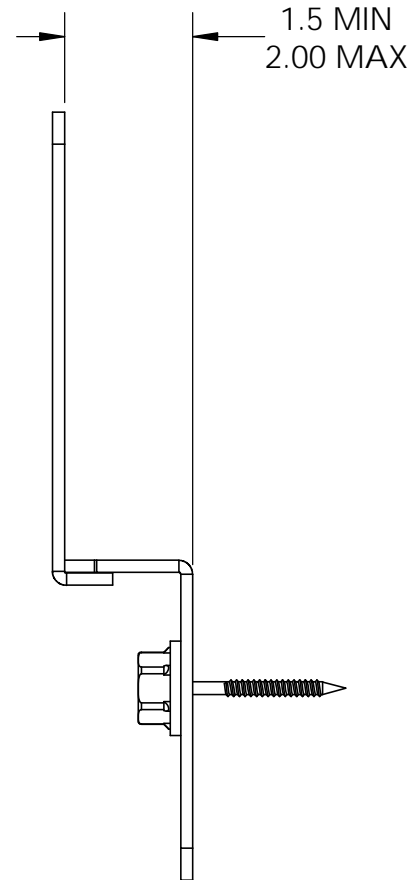
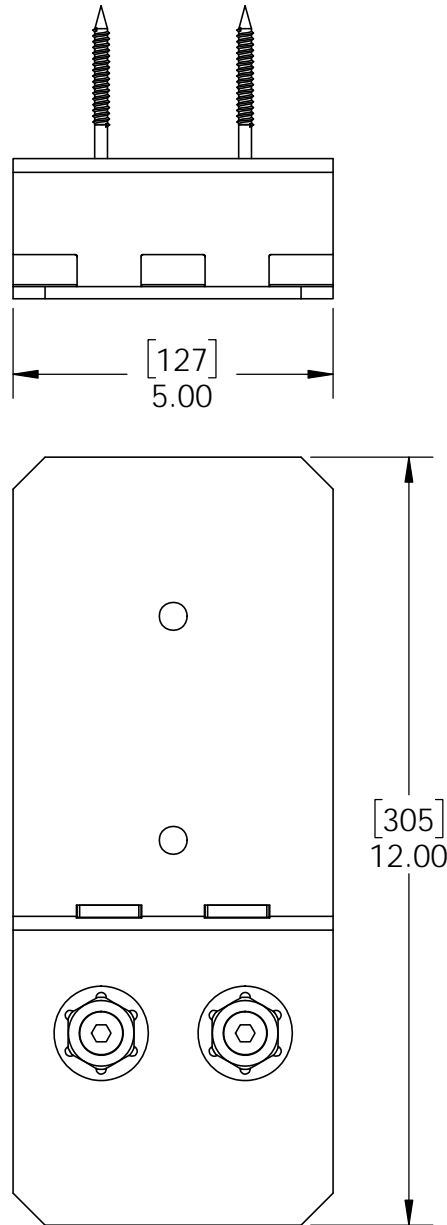
OZCO BUILDING PRODUCTS



kit contains 2 assemblies

56637

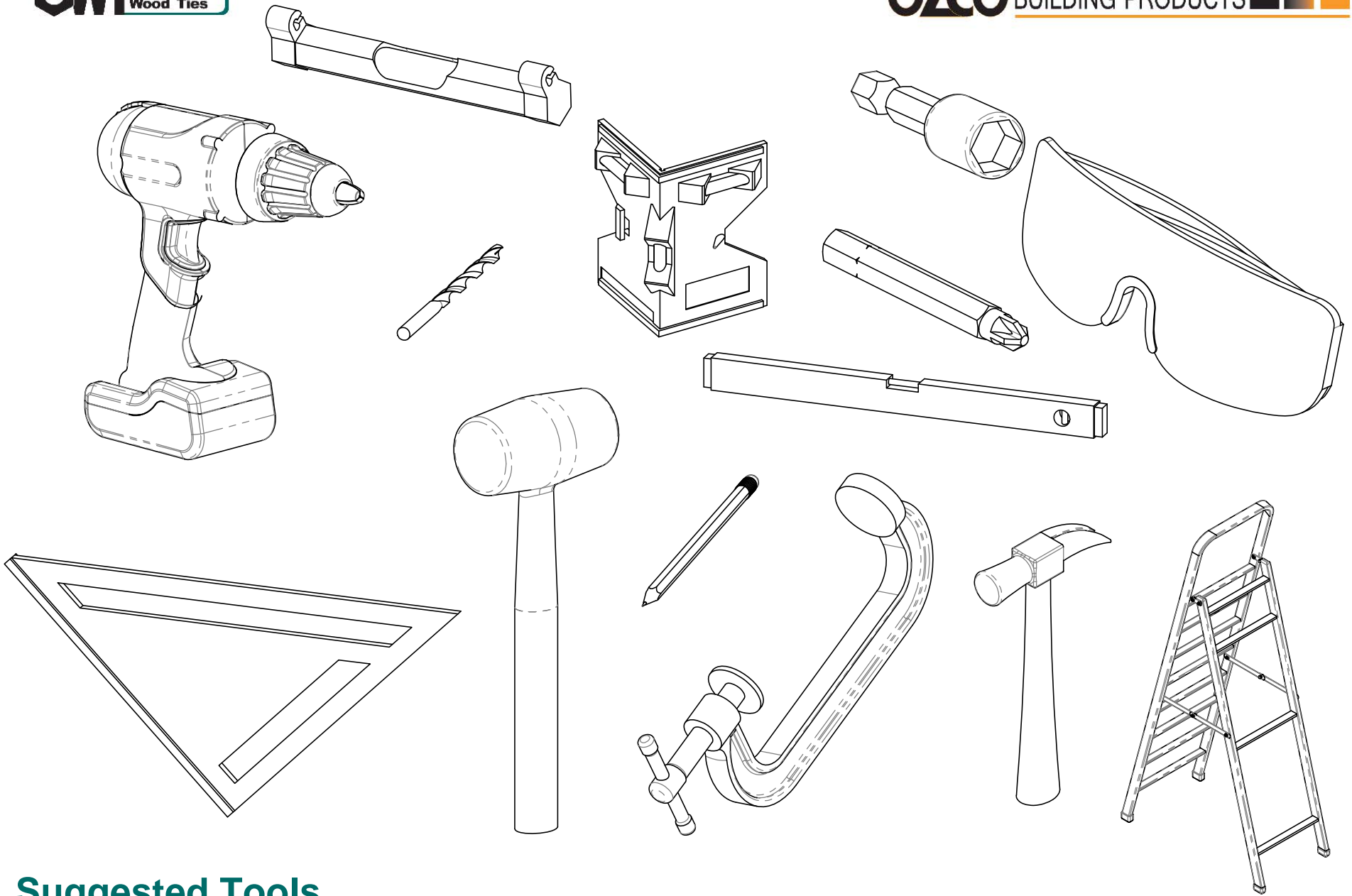
Installation Instructions, 56637



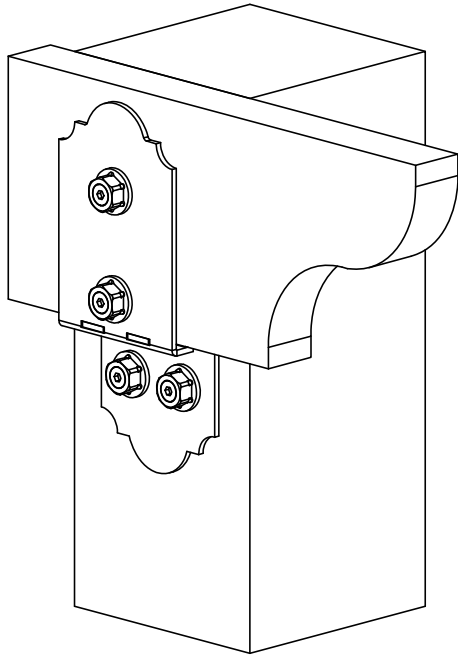
kit contains 2 assemblies

56637

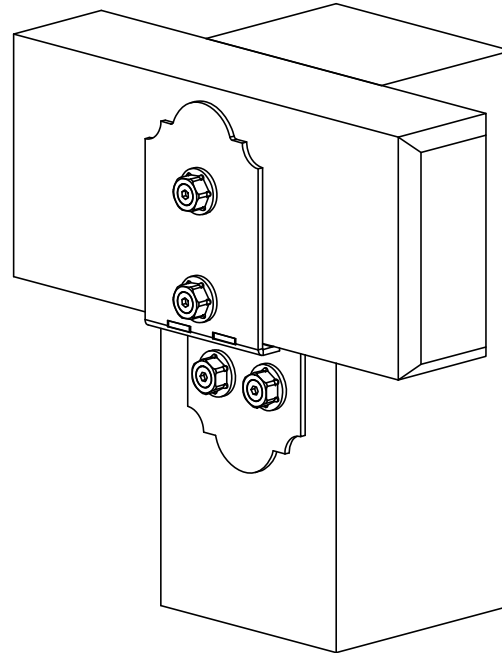
Installation Instructions, 56637



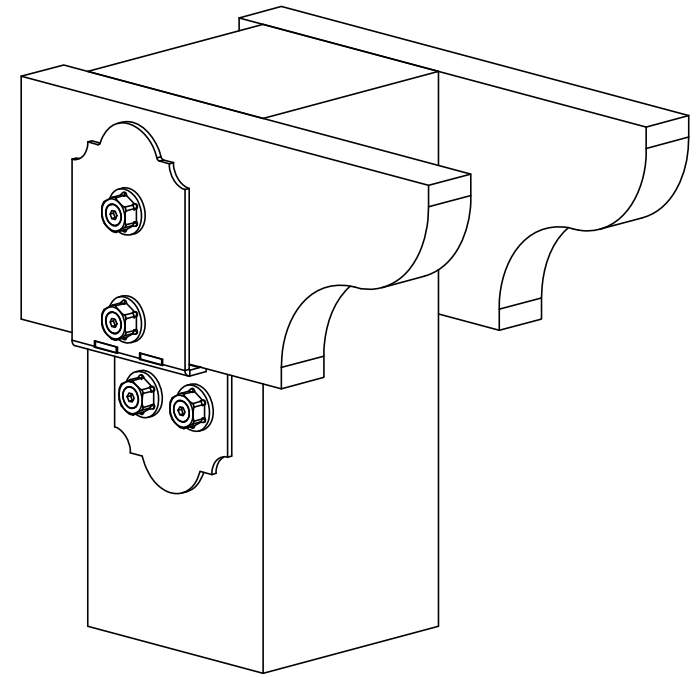
Suggested Tools
(others may be required)
Installation Instructions, 56637



One 2x8 Beam



One 4x8 Beam
(requires dato cut to post)



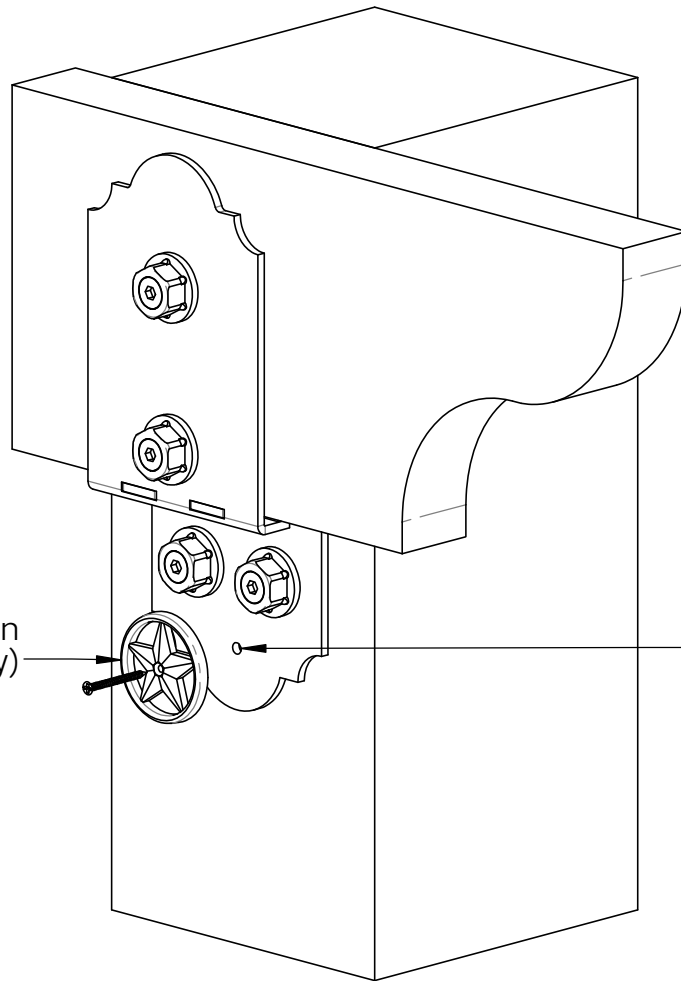
Two 2x8 Beams

installation options

Installation Instructions, 56637



56623 option
(sold separately)

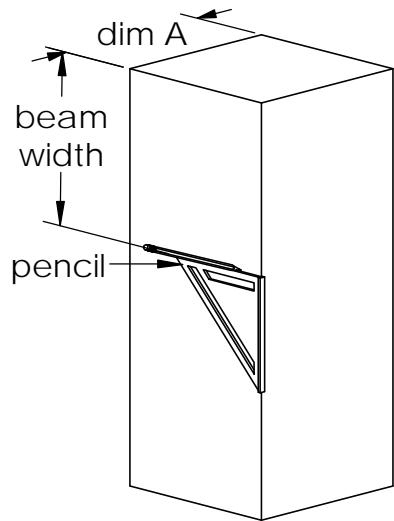
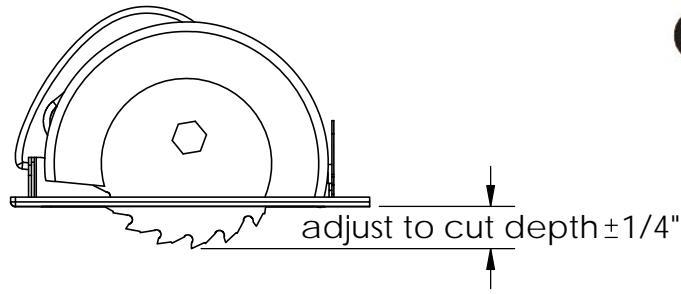


drill out dimple per 56623
installation instructions

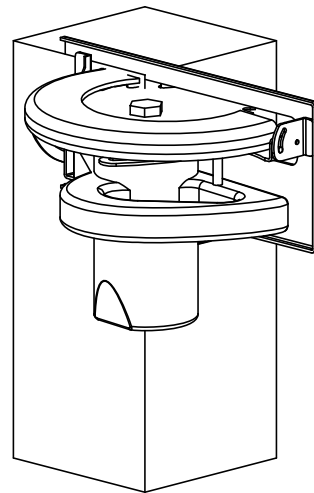
note: drill hole BEFORE step 1

optional accessory

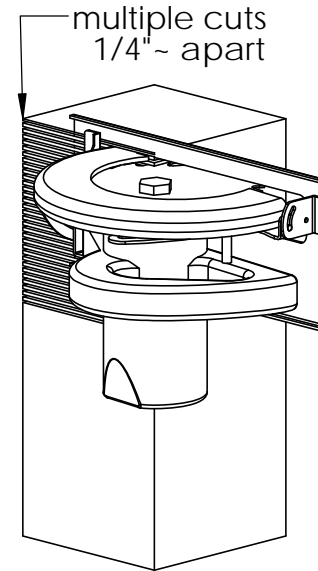
Installation Instructions, 56637



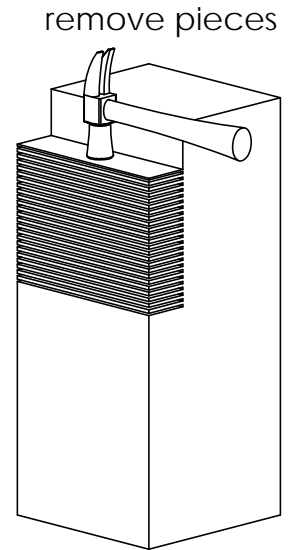
A



B



C

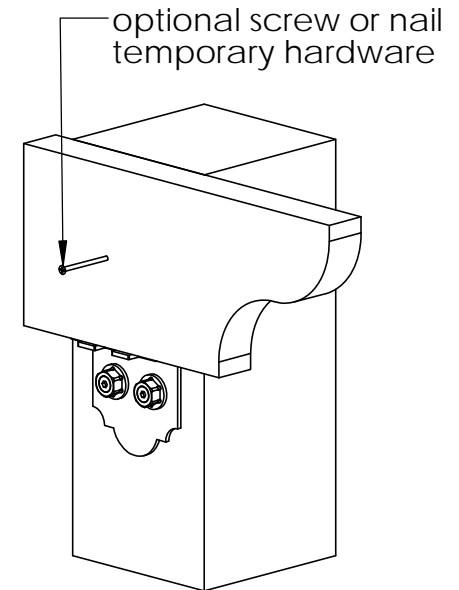
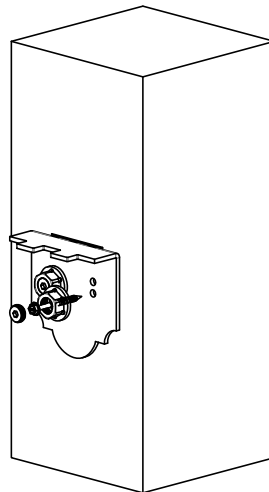
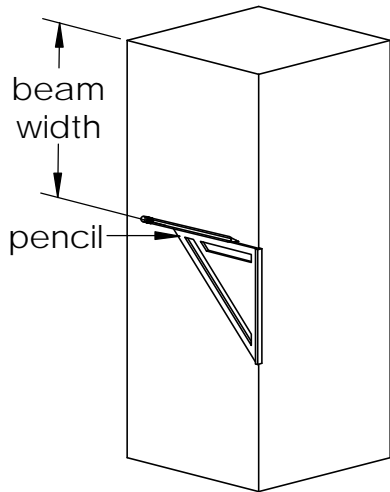
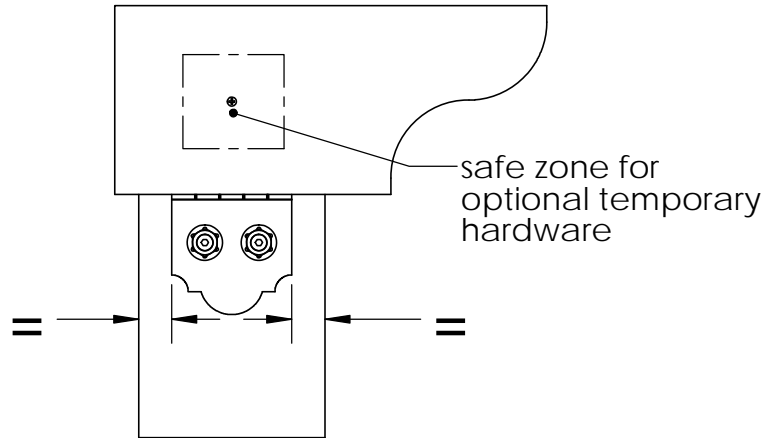
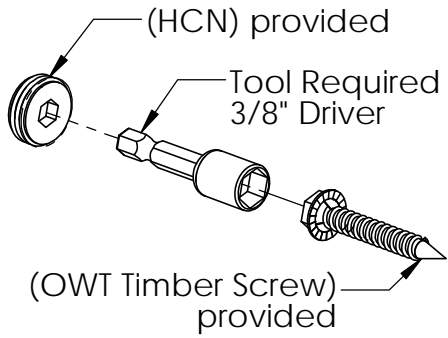


D

dim A	ledge	cut depth
	1.75	dim A-ledge=

4x8 only

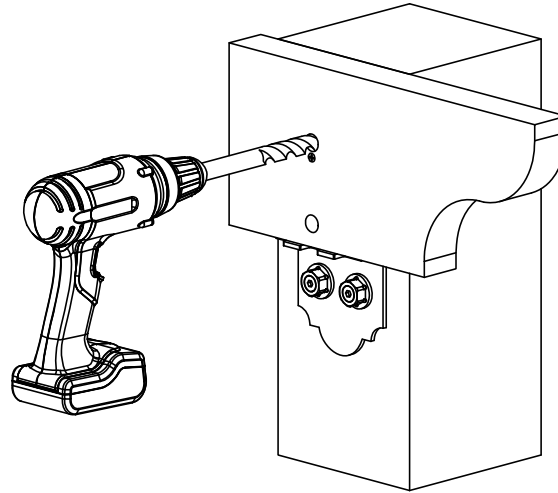
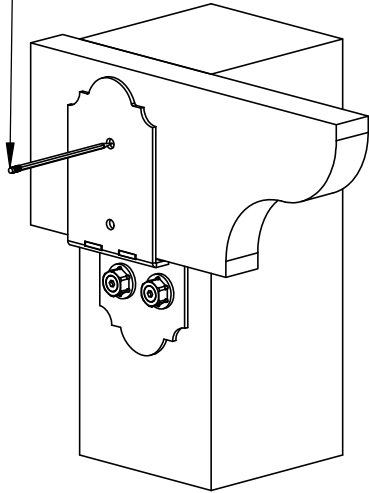
Installation Instructions, 56637



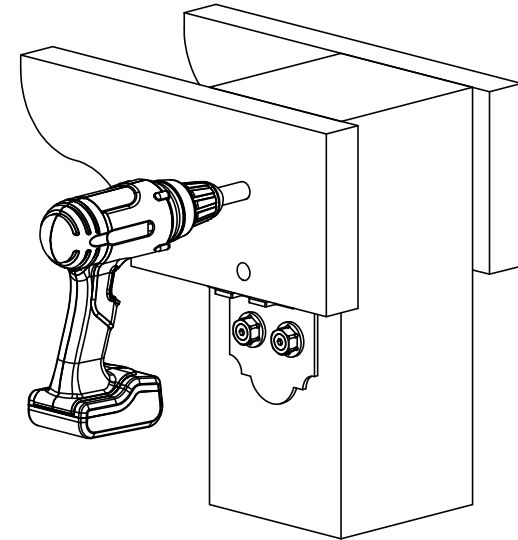
step 1

Installation Instructions, 56637

temporarily install plate and mark center of holes; repeat if 2 beams are installed

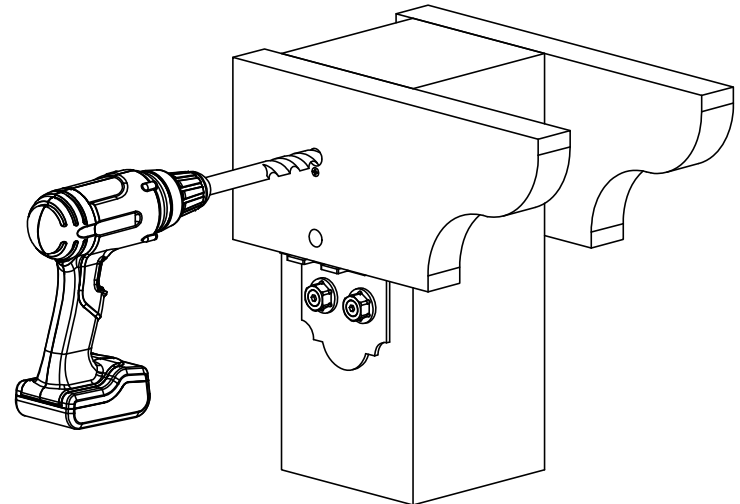
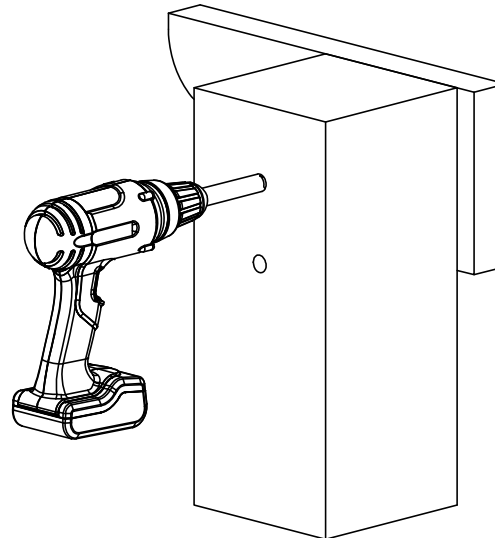


1 beam installation



2 beam installation

Prevent Unsightly Breakouts
 drill most of the way from one side DO NOT breakout then repeat from opposite side



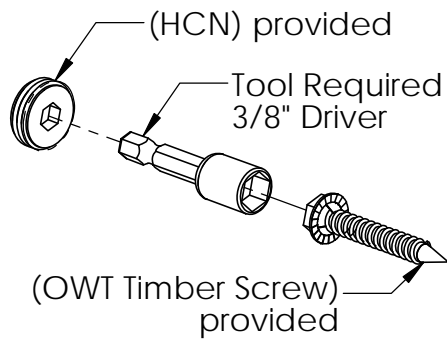
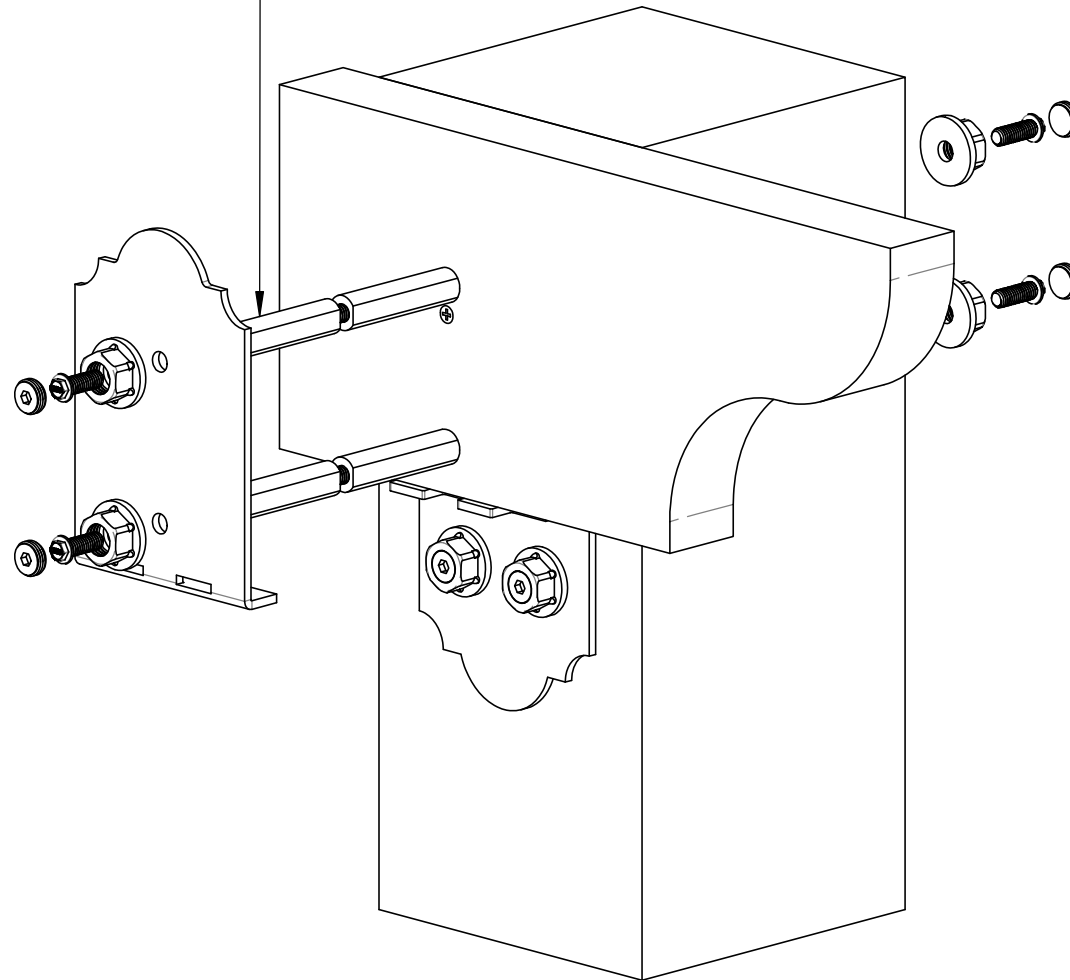
step 2

Installation Instructions, 56637

same process for all



OWT Timber Bolt
(sold separately)



step 3

Installation Instructions, 56637