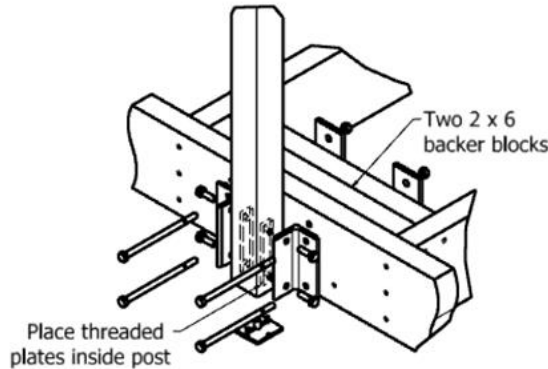
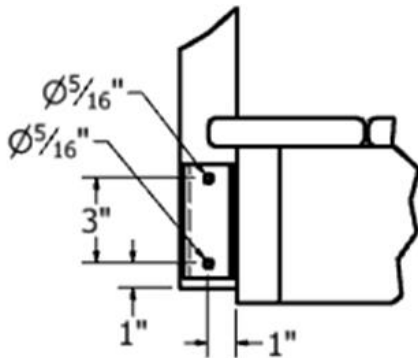


Line Post Installation

1. Determine location of line post.
2. Notch decking as needed for post installation.
3. Add backer blocks:
 - a. Use two 2 x 6 backer blocks and secure firmly in place with #10 x 3" deck screws.

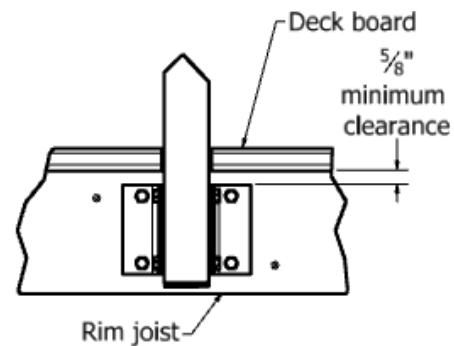


4. Install angle mount brackets to post:
 - a. Mark locations for bottom hole for angle mount bracket on post at 1" from back of post and 1" up from bottom of post to center of hole.
 - b. Drill two 5/16" holes 3" apart on side of post with no screw channel and two 5/16" holes 3" apart on opposite side with no screw channel.

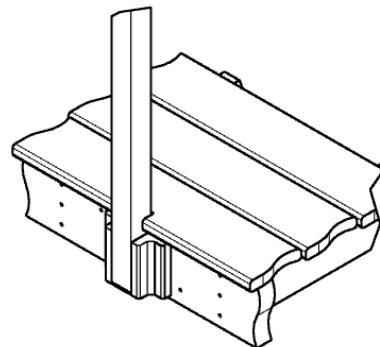


- c. Attach angle brackets to post sides with four 5/16" x 1" bolts (provided) and two aluminum plates with threaded holes (provided).
 - d. Tighten both brackets to hold in place.

5. Attach post to rim joist using angle mount brackets:
 - a. Allow 5/8" clearance between bottom of deck board and top of angle mount bracket for installation of fascia mount cover.
 - b. Mark and drill four 5/16" holes through rim joist and backer blocks for four 5/16" x 5/2" bolts (not provided).
 - c. Place two aluminum plates with holes (provided) onto bolts on back side of backer blocks and attach four 5/16" nuts (not provided) onto bolts.
 - d. Tighten nuts to hold post securely.



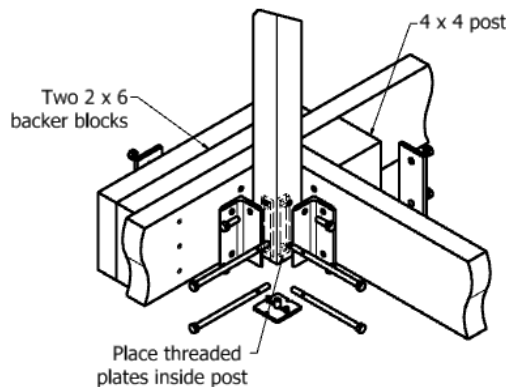
6. Install Fascia Mount covers.



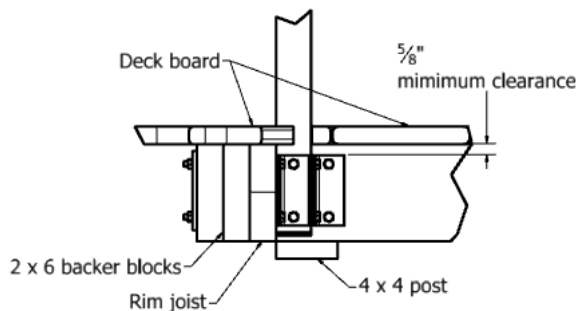
7. Install 2" Zinc Flat cap on bottom of post.

Inside Corner Post Installation

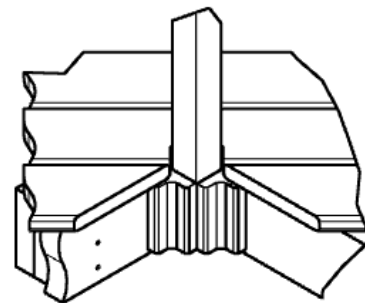
1. Determine location of inside corner post.
2. Notch decking as needed for post installation.
3. Add backer blocks:
 - a. Use two 2 x 6 backer blocks and secure firmly in place with #10 x 3" deck screws.



4. Install angle mount brackets to post:
 - a. Mark locations for bottom hole for angle mount bracket at 1" from back of post and 1" up from bottom of post to center of hole.
 - b. Drill two 5/16" holes 3" apart on side of post with no screw channel and two 5/16" holes 3" apart on side with screw channel for angle brackets.
 - c. Attach angle brackets to post sides with four 5/16" x 1" bolts (provided) and two aluminum plates with threaded holes (provided).
 - d. Tighten both brackets to hold in place.



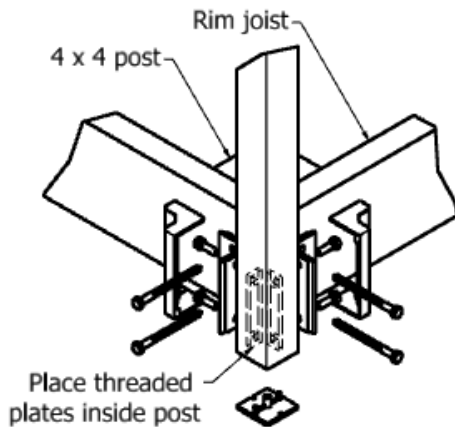
5. Attach post to inside corner using angle brackets:
 - a. Allow 5/8" clearance between bottom of deck boards and top of angle mount bracket for installation of fascia mount cover.
 - b. Mark and drill four 5/16" holes through rim joist, 4 x 4 post and backer blocks for bolts.
 - c. Use two 5/16" x 5 1/2" bolts (not provided) to go through rim joist and two 2 x 6 backer blocks.
 - d. Use two 5/16" x 6" bolts (not provided) to attach angle mount bracket through rim joist and 4 x 4 post.
 - e. Place two aluminum plates with holes (provided) onto bolts on back side of backer blocks and 4 x 4 post and attach four 5/16" nuts (not provided) onto bolts.
 - f. Tighten nuts to hold post securely.
6. Install Fascia Mount covers.



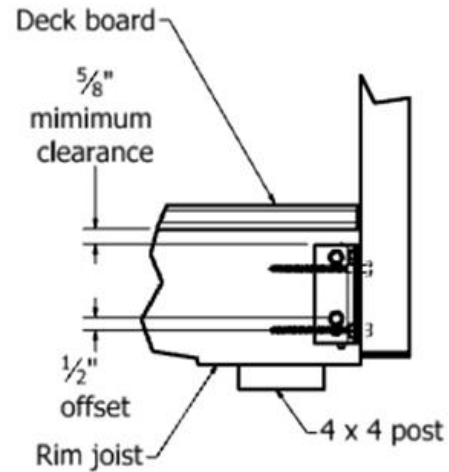
7. Install 2" Zinc Flat cap on bottom of post.

Outside Corner Post Installation

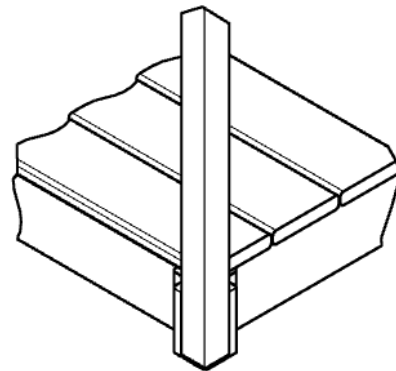
1. Determine location of outside corner post.
2. Notch decking as needed for post installation.



3. Install angle mount brackets to post:
 - a. Mark locations for bottom hole for angle mount bracket at 1" from back of post and 1" up from bottom of post to center of hole.
 - b. Drill two 5/16" holes 3" apart on side of post with no screw channel and two 5/16" holes 3" apart on side with screw channel for angle brackets.
 - c. Attach angle brackets to post sides with four 5/16" x 1" bolts (provided) and two aluminum plates with threaded holes (provided).
 - d. Tighten both brackets to hold in place.
4. Attach posts to outside corner using angle brackets:
 - a. Allow 5/8" clearance between bottom of deck boards and top of angle mount bracket for installation of fascia mount cover.
 - b. Drill one 5/16" hole into angle mount bracket 1/2" up from the bottom hole of bracket.



- c. On the opposite angle mount bracket drill one 5/16" hole 1/2" down from top hole of angle mount bracket. This will allow lags to be offset when installing.
 - d. Use four 5/16" x 4" lag screws (not provided) to attach post securely to outside corner of deck.
5. Install Fascia Mount covers.



6. Install 2" Zinc Flat cap on bottom of post.