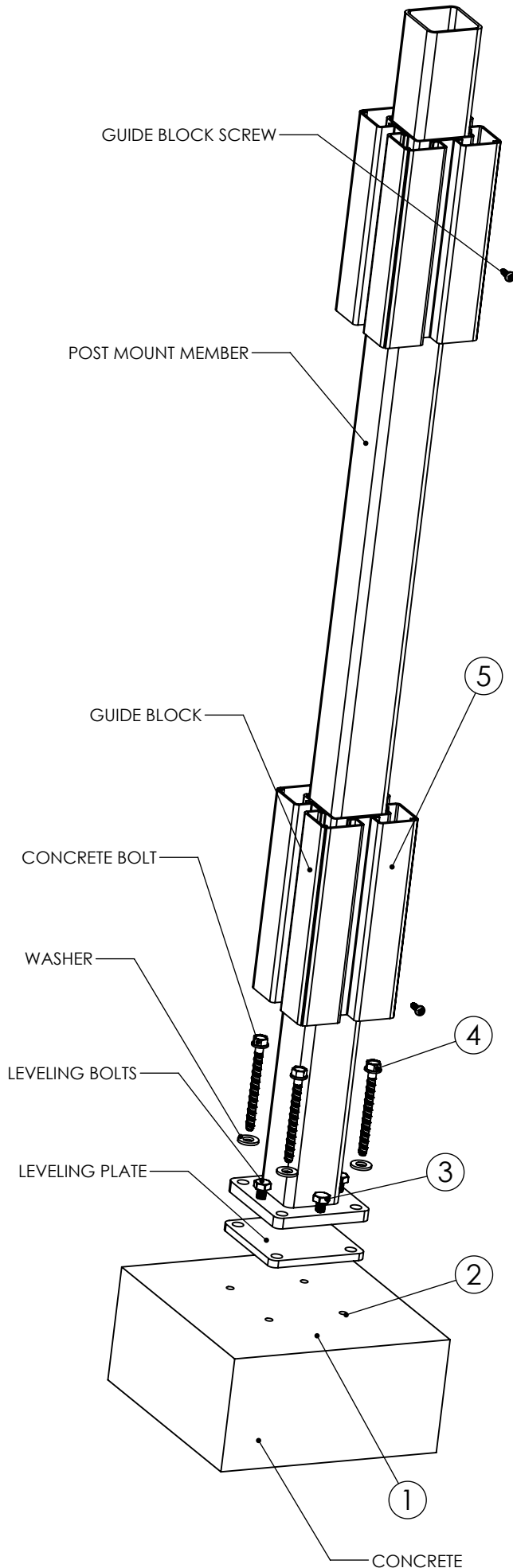


Concrete Post Mount Installation Instructions



STEP 1 - Lay out the location of the post.

STEP 2 - Using the leveling plate as a template, mark the locations of the 4 mounting holes to be drilled.

- Drill 4 holes into the concrete using a 1/4" diameter masonry drill bit. The hole must be drilled to a minimum depth of 3-1/2".

- Clean out the holes of all dust and debris.

STEP 3 - Install the 4 leveling bolts into the post mount member.

- Place the leveling plate on the concrete surface and align over the (4) drilled holes.

- Place the post mount member on top of the leveling plate and align the (4) holes.

- Adjust the leveling screws to ensure the post mount member is level.

STEP 4 - Install the 4 concrete bolts with washers as shown by applying downward pressure while turning in a clockwise direction.

- Continue to tighten the bolts until the heads are firmly seated. (Do not over tighten.)

STEP 5 - Install the two guide blocks onto the post mount member. They should be positioned so that the screws from the railing brackets will screw into the guide blocks.

- Once the proper heights are established, drill a 1/8" dia. hole through both the guide block and the post mount member. Install the supplied guide block screws to hold the guide blocks in place.

STEP 6 - Install the post profile and rail brackets according to manufacturer specifications.

IMPORTANT:

Installer must consult local code officials for compliance to building code requirements.