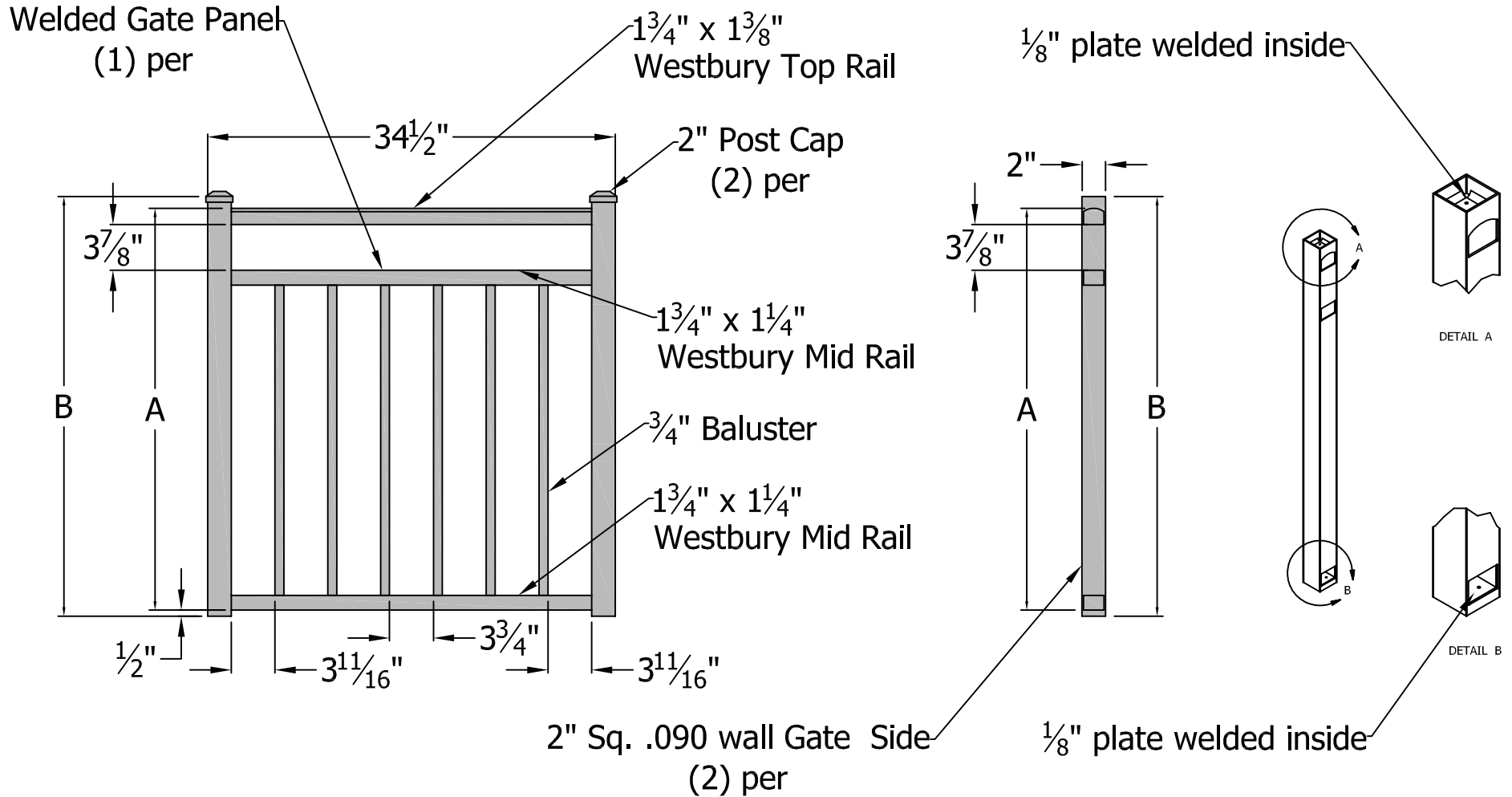


Nominal Rail Height	Baluster Style	Part #	A	B
36"	Square	70389	34"	35½"
36"	Round	72371	34"	35½"
42"	Square	70391	40"	41½"
42"	Round	72373	40"	41½"

PART NUMBER:		DATE
REV. A	RELEASE PENDING APPROVAL	
REV. A	Reduced bottom rail height from 3" to 2"	03/29/2016



APPROVED BY:

DATE APPROVED:

4

3

FINISH:



3446 US 6 EAST
Bremen, IN 46506

2

SHEET SIZE= C
SCALE = 1":1"
STANDARD TOLERANCE:
.00 ±.01 FRACTIONS:
.000 ±.005 ±1/16"
ANG. ±.5°

FIRST USED ON:

DRAWN BY: CM
DATE DRAWN:
02-18-2016

LOC:
Z:\Aluminum\Westbury\C30
Riviera\C30 Riviera\Gates

DRAFT:
20160218-1C

PART NUMBER or STYLE:
C30_C301 Gate 36in Wide

Quote requested by:

PART NAME:
Gate

SHEET OF REV. B

1

A

B

C

D