

### OPERATING IN THE "PULL" CONFIGURATION: (preferred setup shown top left)

1. Slip joist gripper over joist, stud or rafter at a distance away from board which will allow for self locking (depends on gap size-quickly learned).
2. Swing handle in direction of arrows shown in upper right illustration. Lightly hold joist gripper until it bites.
3. When handle is nearly perpendicular to board, tool will self hold. If handle is perpendicular to board but gap is not closed, go to step 1 with joist gripper closer to board. If gap is closed but handle will not swing far enough to self hold, go to step 1 with joist gripper farther away from board.

**HINT: Nail material at joist adjacent to tool, or check layout before nailing the joist that the tool is on.**

**CAUTION!** When working on a wall, ceiling, or elevated surface, keep a hand on the tool to avoid injury.

### ANGLED DECKING/PANELING:

Apply tool on 'short' angle side of joist or stud.

### TONGUE & GROOVE PANELING/ PLYWOOD/DECKING:

To use the tool on the tongue side of the materials, use the 1x T-n-G™ Cam (#BW-4) for 3/4" or 1" (5/4) thick materials with a tongue thickness of up to 5/16".

For materials such as 2x (1-1/2" thick) decking, use the 2x T-n-G™ Cam (#BW-6). For increased versatility

with a single cam, use the Combi-Cam™ (#BW-12), which includes a 1x groove on one side and a 2x groove on the other.

**NOTE: T-n-G™ Cams can also be used on straight-edge decking.**

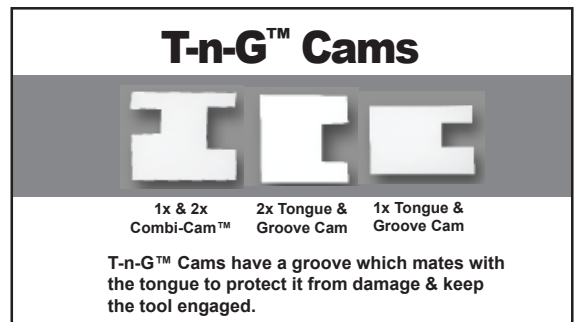
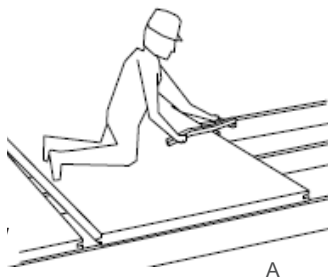
### TONGUE & GROOVE PLYWOOD:

Follow the steps above. Install plywood with tongue side in (unless using a 1x T-n-G™ Cam or the 1x side of the Combi-Cam™) and push on groove side. Kneel on sheet with your weight as close to seam as possible. Ride Sheet into place while "ratcheting" tool (see figure A). DO NOT nail previous sheet near edge until new sheet is seated. DO NOT allow plywood to weather prior to installation.

### FOR USE ON JOISTS/STUDS/RAFTERS THAT ARE NOT 1-1/2" THICK:

For engineered lumber, timbers, rough-cut joists, etc., use the Universal Gripper (#BW-9 or BW-10). These adjust to accommodate joist widths up to 9.5" (#BW-9: 1.5"-4.25" / #BW-10: 1.5"-9.5"). We sell other useful accessories as well, see back of box or visit [cepcotool.com](http://cepcotool.com).

**MISSING OR DEFECTIVE PARTS? DO NOT CALL THE DEALER,** Please contact us:  
CALL 1-800-466-9626 • CEPCO TOOL • 1580 LAKE STREET • ELMIRA, NY 14905 • FAX: 607-739-4583  
© 2013 Cepco Tool Company



### BW-9 Universal Gripper



### BW-10 Universal Gripper

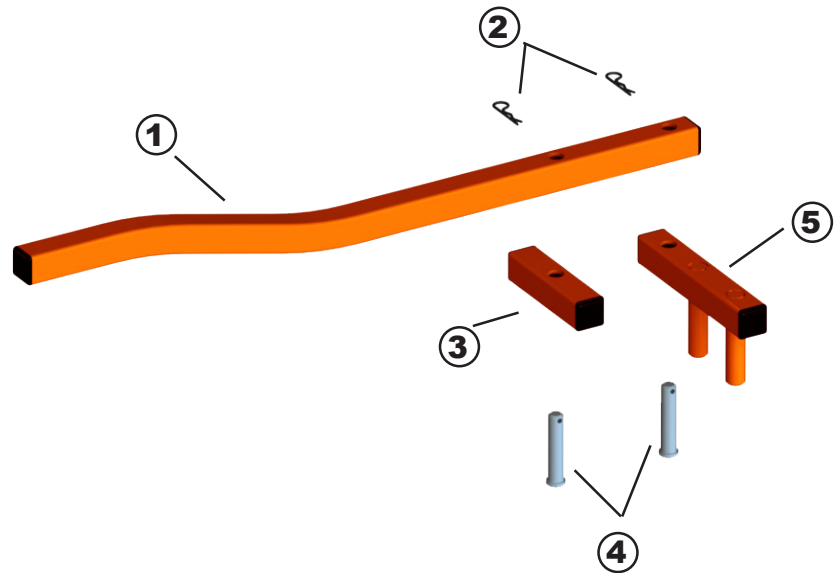


## PARTS LISTS:

MISSING OR BROKEN PARTS?  
CALL US AT: **1-800-466-9626**

### **BOWRENCH®** KIT INCLUDES:

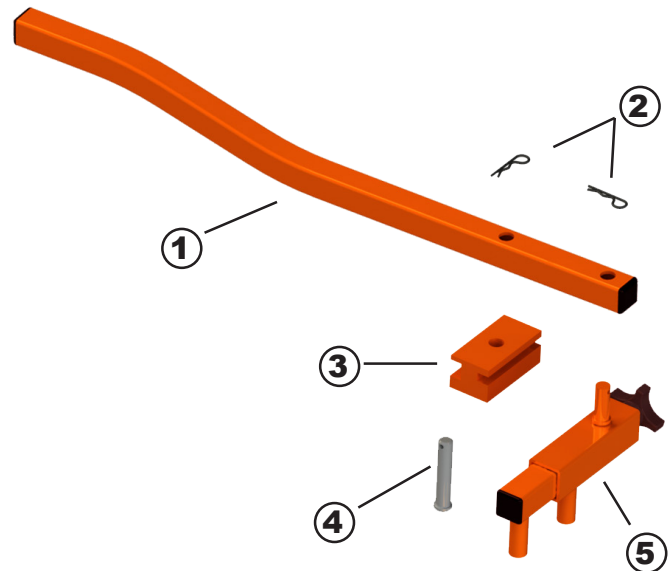
- ① Handle (x1)
- ② 3/32" Cotter Pins (x2)
- ③ 1" Cam (x1)
- ④ 1/2" x 2-1/4" Clevis Pins (x2)
- ⑤ Fixed Gripper (x1)



(ITEM #BW-2)

### **UNIVERSAL BOWRENCH®** KIT INCLUDES:

- ① Handle (x1)
- ② 3/32" Cotter Pins (x2)
- ③ Combi-Cam (#BW-12) (x1)
- ④ 1/2" x 2-1/2" Clevis Pin (x1)
- ⑤ Adjustable Gripper (#BW-9) (x1)



(ITEM #BW-90)

**FIND THESE & OTHER TIME-SAVING CONSTRUCTION TOOLS AT  
CEPCOTOOL.COM**