



Designed to last beautifully.™

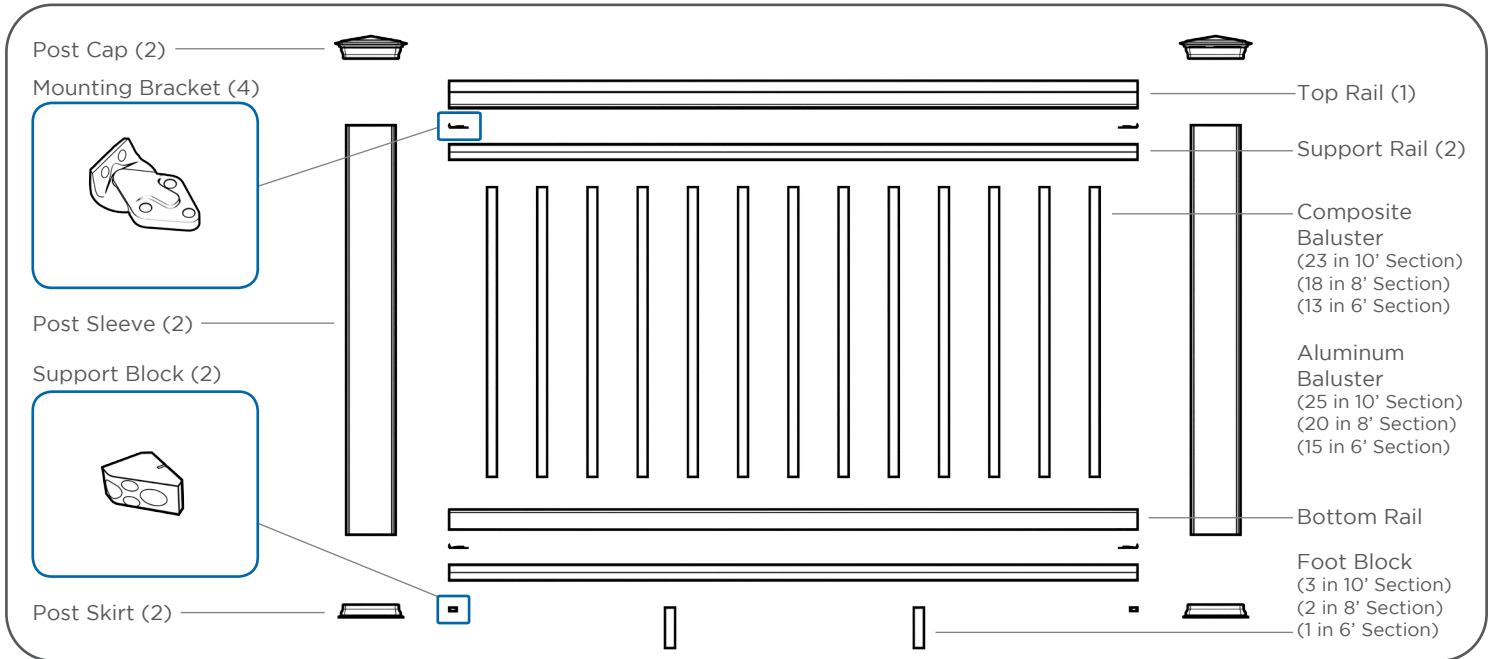
TRIM MOULDING DECK PORCH **RAIL** PAVERS



AZEK Rail Install Guide

Installing AZEK Rail with Balusters 2
 Installing AZEK Rail Stairs with Balusters..... 7
 Notes.....11

- Please read all instructions completely before starting any part of the installation.
- AZEK Rail should be installed using the same good building principles used to install wood or composite railing and in accordance with the local building codes and the installation guidelines included below. AZEK Building Products Inc. accepts no liability or responsibility for the improper installation of this product.
- AZEK Rail may not be suitable for every application and it is the sole responsibility of the installer to be sure that AZEK Rail is fit for the intended use. Since all installations are unique, it is also the installer’s responsibility to determine specific requirements in regards to each Rail application.
- AZEK Building Products Inc. recommends that all applications be reviewed by a licensed architect, engineer or local building official before installation. If you have any questions or need further assistance, please call AZEK Customer Service at 877-ASK-AZEK (877-275-2935) or visit our website at www.azek.com.
- AZEK Railing is tested as a whole system and should be used that way. It is not intended to be used in conjunction with other railing systems or fasteners.
- The following Installation Guidelines are applicable for installation of AZEK Premier, AZEK Trademark, and AZEK Reserve Rail Systems (except AZEK Reserve over post applications).
- **IMPORTANT:** Make sure the DRIVE TOOL/DRILL is configured or set to use the SCREW setting when driving and/or tightening all FASTENERS.
- **SAFETY:** Always wear goggles when handling, cutting, drilling and fastening materials.
- Failure to install this product in accordance with applicable building codes and AZEK’s written Rail Install Guide may lead to personal injury, affect rail system performance and void the product warranty.



AZEK Rail kit is available in 10', 8' and 6' lengths.

Visit www.azek.com/installation to view AZEK installation videos. Consult your local building codes for guard and handrail requirements.

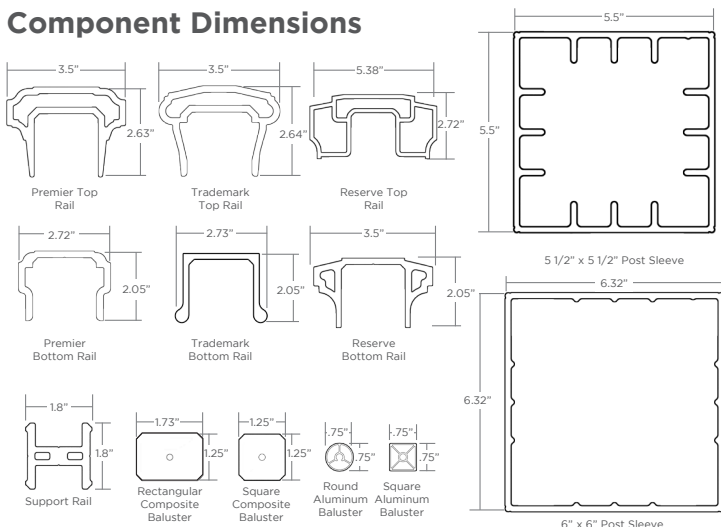
Measuring Your Railing Area

- Measurements are from center to center of post. Rails are produced in 10', 8' and 6' lengths to allow for finished end cuts and angles.
- Determine how many 10', 8' and 6' AZEK rail sections you need and check to be sure you have all the components (and quantities) listed in the chart shown to the right.

Important Information

- ⚠️ AZEK Rail 10', 8' and 6' rails are designed not to exceed 10', 8' and 6' center of post to center of post, respectively.
- ⚠️ For stair applications maximum rail length must not exceed 91"
- Cut slowly, using a fine tooth saw blade to avoid chipping.
- For 42" railing use 54" Post Sleeves.

Component Dimensions

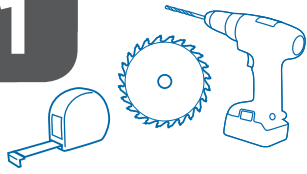


- Tools Required**
- Miter Saw
 - Drill
 - Measuring Tape
 - 7/64" Drill Bit
 - 3/16" Drill Bit

Components Needed For Installing One AZEK Rail Section

Components Included in Complete 10', 8' and 6' Kits (White Only in Premier & Trademark)	AZEK Rail Pack	
1 - Top Rail 1 - Bottom Rail 2 - Support Rails (1 - Aluminum Top Support Rail for 10') Foot Blocks - 1 in 6' Kits, - 2 in 8' Kits, - 8 in 10' Kits, Composite Balusters - 13 in 6' Kits, - 18 in 8' Kits, - 23 in 10' Kits Hardware Mounting Kit Support Block Mounting Templates Baluster Screw Kit	1 - Top Rail (Reserve Top Rail sold separately) 1 - Bottom Rail 2 - Support Rails (1 - Aluminum Top Support Rail for 10') Hardware Mounting Kit Support Block Mounting Templates Foot Blocks - 1 in 6' Packs, - 2 in 8' Packs, - 3 in 10' Packs	
	Composite Balusters	Aluminum Balusters
	- 18 Balusters per Pack (23 required per 10' section) (18 required per 8' section) (13 required per 6' section) - 29" for 36" Railing - 31" for 36" Railing (with less than 2" gap between deck & Bottom Rail) - 35" for 42" Railing - 37" for 42" Railing (with less than 2" gap between deck & Bottom Rail)	- 20 Balusters per Pack (25 required per 10' section) (20 required per 8' section) (15 required per 6' section) - 29" for 36" Railing (with less than 2" gap between deck & Bottom Rail) - 31" for 36" Railing (with less than 2" gap between deck & Bottom Rail) - 35" for 42" Railing (with less than 2" gap between deck & Bottom Rail) - 37" for 42" Railing (with less than 2" gap between deck & Bottom Rail)
	Baluster Screw Kit	Baluster Screw Kit
	18 - #8x2" Screws 18 - #8x3" Screws	20 - #8x2" Screws 20 - #8x3" Screws
Hardware included in Hardware Mounting Kits:	4 - Mounting Brackets 2 - Support Blocks 16 - #8 x 3/4" Screws 6 - #8 x 1 3/4" Screws 6 - #8 x 2 5/8" Screws (Stairs Only) 6 - #8 x 3" Screws 12 - #8 x 3" Green Screws T20 Driver Bit	
Additional Components Needed for Each System	2 - Post Caps 2 - Post Sleeves 2 - Post Skirts	

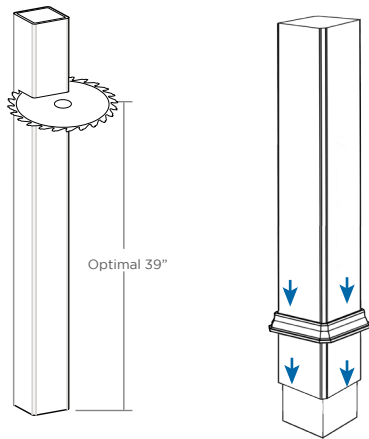
1



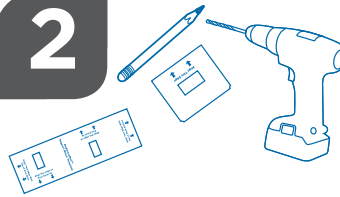
INSTALL POST SLEEVES

- Trim Post Sleeves to desired length.
- Slide Post Sleeves and Post Skirt over post (do not force).
- Ensure posts are square and plumb.

39" above deck surface is optimal for 36" railing heights.



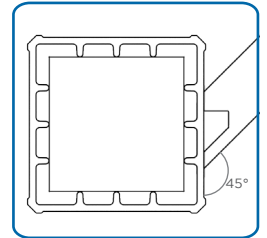
2



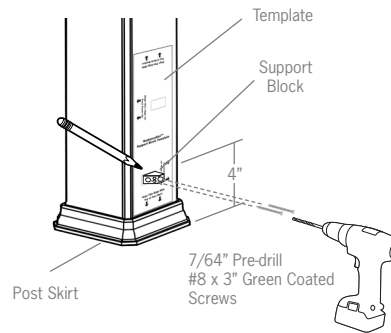
INSTALL LOWER SUPPORT BLOCK

- Position template at bottom of Post Sleeve above Post Skirt.

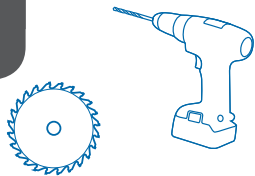
If you do not have the template, position the top of the Support Block 4" above the deck.



For angled rail installations, align angled face of Support Block parallel to rail section.



3



CUT AND ASSEMBLE BOTTOM SUPPORT RAIL

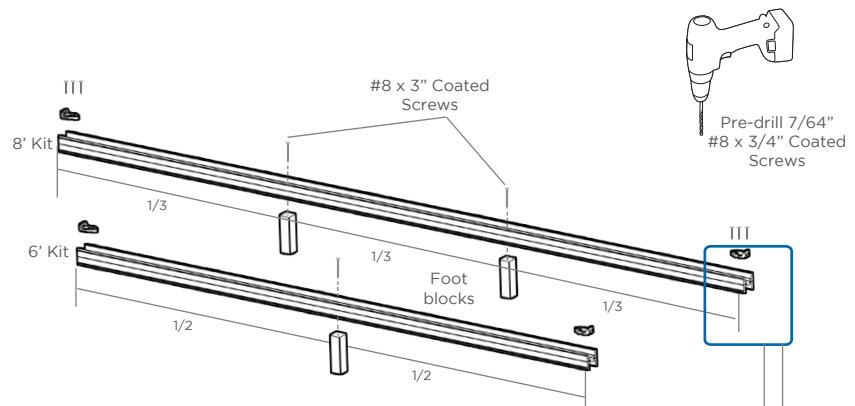
- Cut the Bottom Support Rail to length.



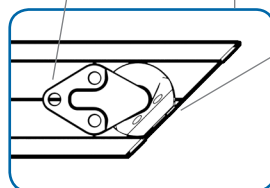
For sections up to 6': Place one Foot Block in the center of the rail.

For sections 6' to 8': Space two Foot Blocks approximately at 1/3 intervals on the rail.

For sections 8' to 10': Space three Foot Blocks approximately at 1/4 intervals on the rail.

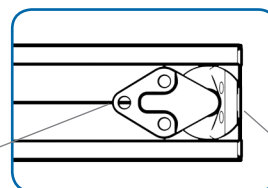


Center screw aligned to rail centerline



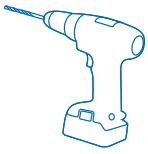
Bracket set flush to rail face

Center screw aligned to rail centerline



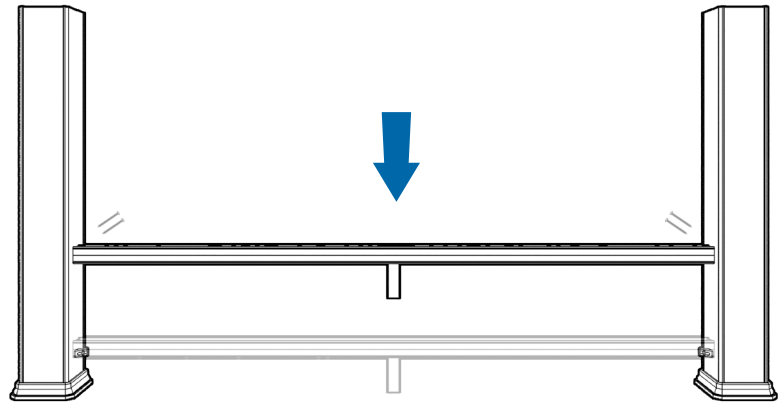
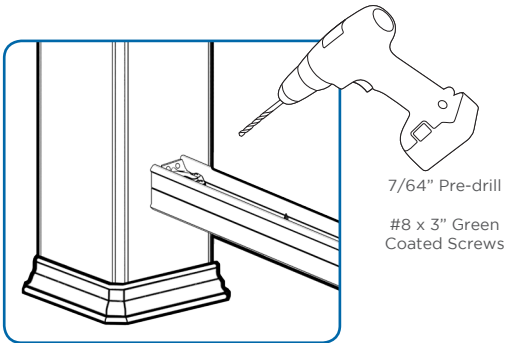
Bracket set flush to rail face

4

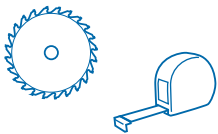


INSTALL BOTTOM SUPPORT RAIL

- Position rail assembly onto Support Blocks.

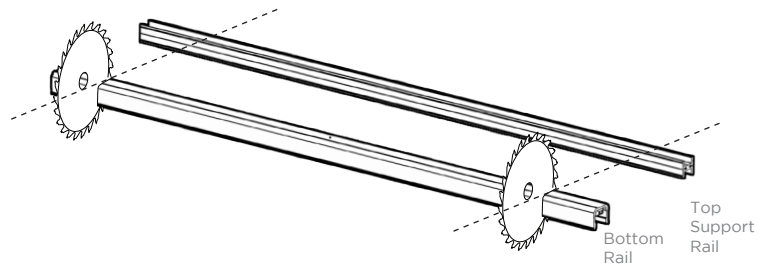


5

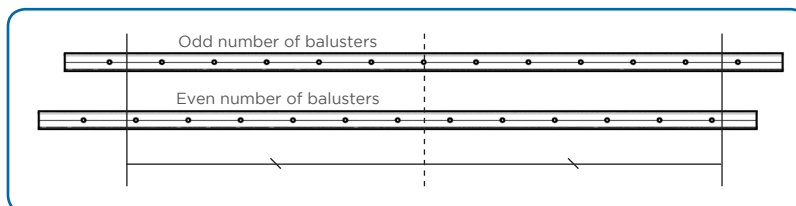


SPACE BALUSTER AND TRIM RAILS

- Measure distance between the posts at the Bottom Support Rail.
- Transfer measurement to Bottom Rail and center either on a pre-drilled hole or between to pre-drilled holes.
- Cut Bottom Rail and Top Support Rail to length.



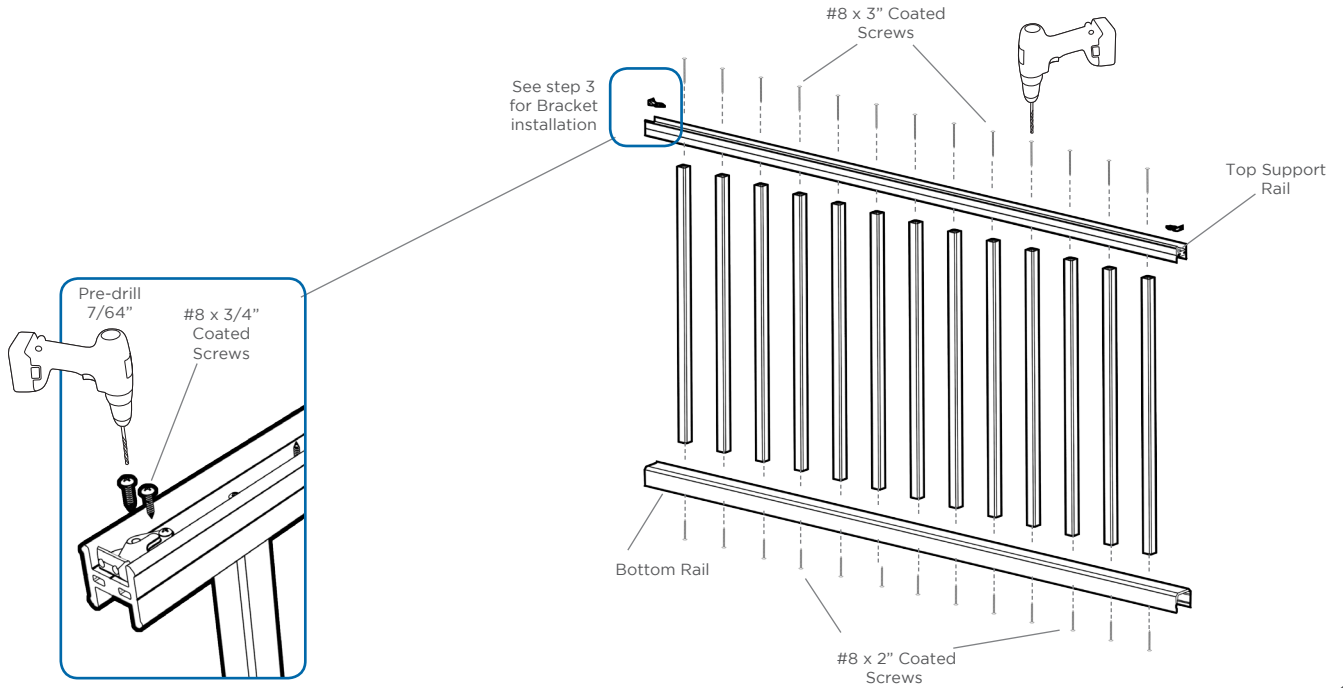
The space between the end baluster and post can not exceed 4"



6

ASSEMBLE BALUSTER SECTION

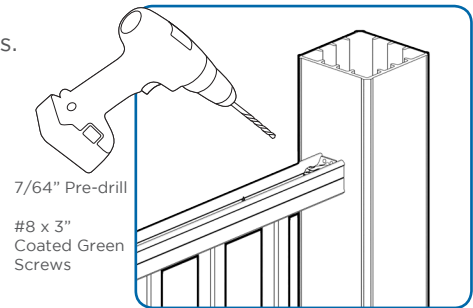
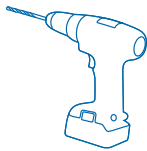
- Attach Mounting Brackets at each end of the Top Support Rail (outlined in Step 3).



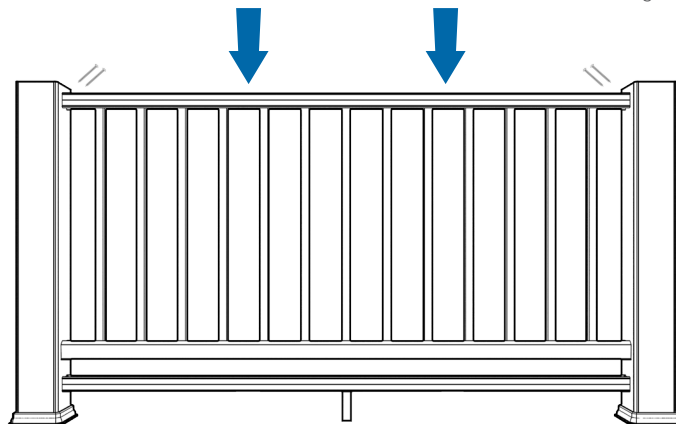
7

INSTALL RAIL ASSEMBLY

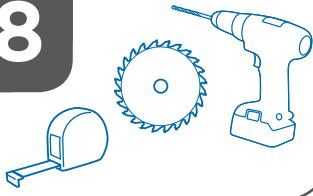
- Align Top Support Rail to center of Posts.



Align to center of post

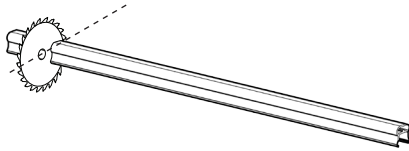


8

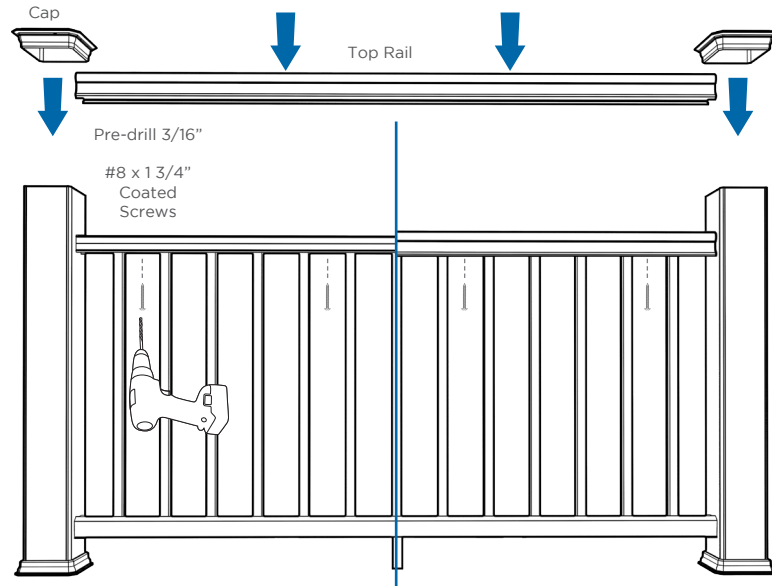


INSTALL TOP RAIL AND POST CAPS

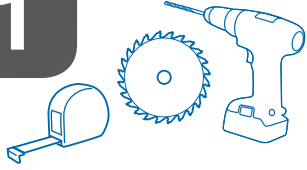
- Measure and cut Top Rail to length. Trim both ends for a clean cut.
- Attach Post caps using exterior grade caulk applied to the underside of the cap.



Caution: Screws must be 1 3/4" so they won't go through the Top Rail on straight rail sections.

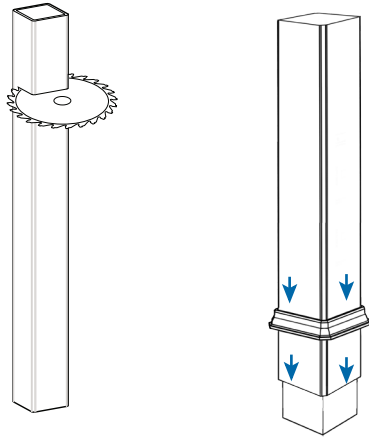


1

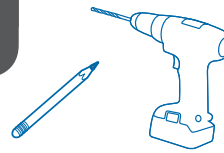


INSTALL POST SLEEVES

- Trim Post Sleeves to desired length.
- Slide Post Sleeve and Post Skirt over post (do not force).
- Ensure post are square and plumb.



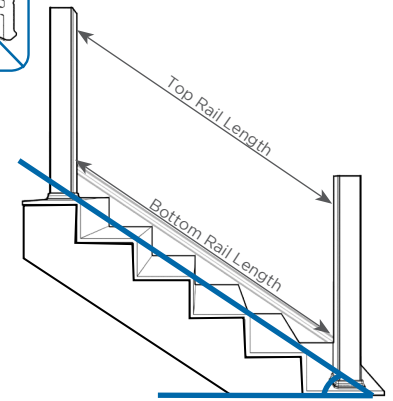
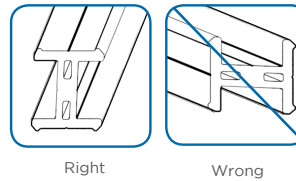
2



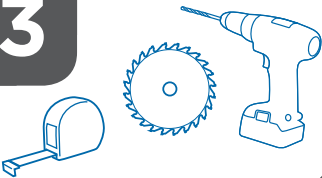
Trim Rails

- Determine measurements and angle as shown.
- Trim both the Top Support Rail and the Bottom Support Rail to those dimensions.
- Test fit rails to check for accuracy.

Support Rails are rotated 90° for stair rail applications.

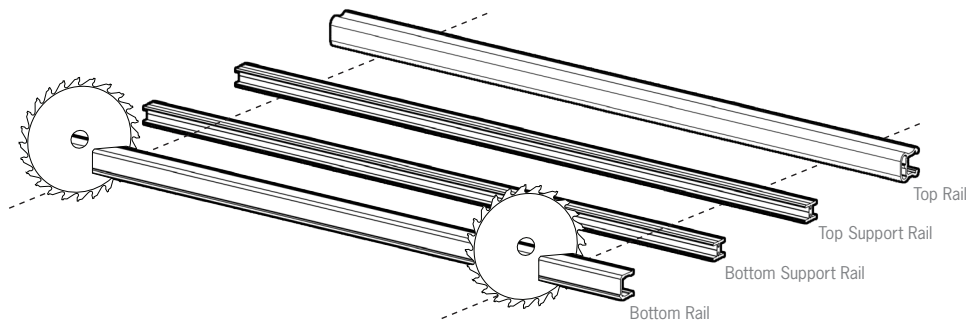


3

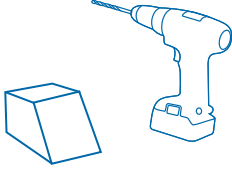


TRIM RAILS

- Transfer measurement from Bottom Support Rail to Bottom Rail.
- Trim Top Rail to match Top Support Rail at appropriate angle.

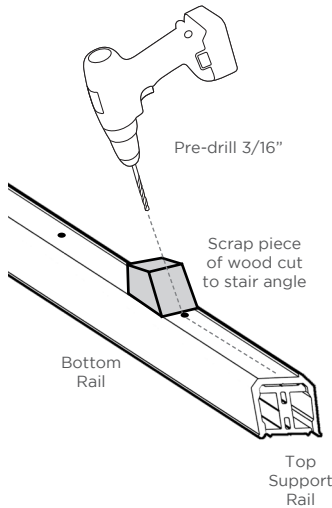


4

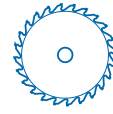


DRILL BALUSTER HOLES

- Place the Bottom Rail and the Top Support Rail together as shown to keep the holes aligned.



5



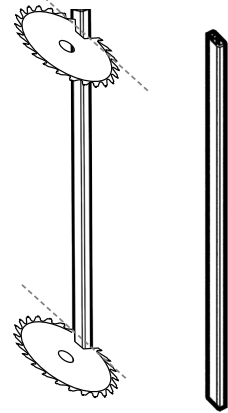
TRIM BALUSTERS

Trim Baluster ends to required angle as shown.

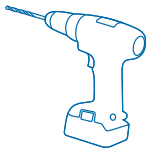
Important: Start cut at top edge to maximize the length.

Aluminum stair Balusters are pre-cut to a stair angle and are not to be cut on the job site.

- Trim Foot Block to stair angle as well.



6



ASSEMBLE BALUSTERS

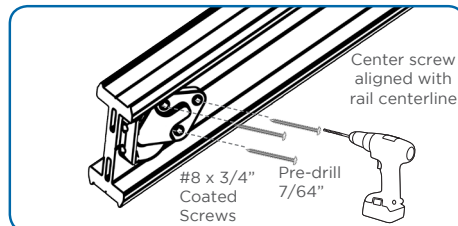
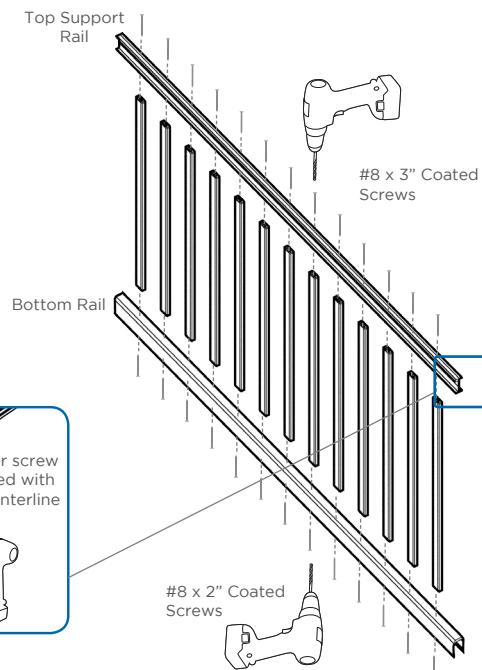
- Attach Balusters to Top and Bottom Support Rails and attach Brackets to Top Support Rail.



Tip for Bottom Rail: Partially drive screws into all Balusters before driving them in completely.



Brackets must be on the side of the rail facing the stairs.



7



INSTALL BOTTOM SUPPORT RAIL

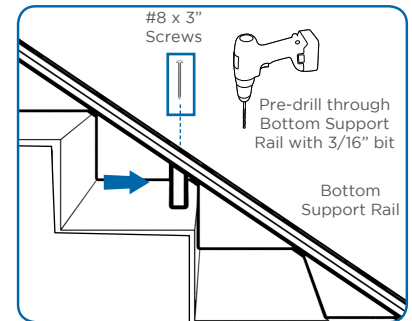
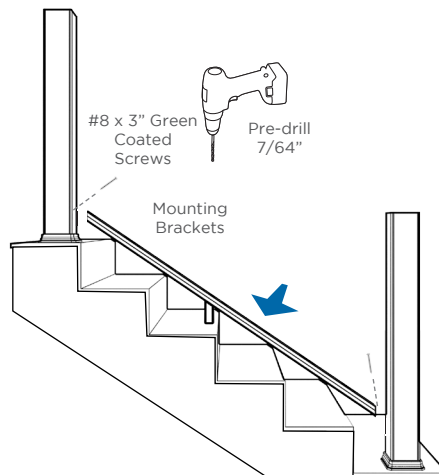
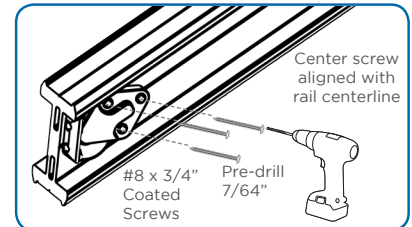
- Attach Mounting Brackets to Bottom Support Rail.
- Secure Mounting Brackets to posts.
- Wedge Foot Block under Support Rail & Attach.



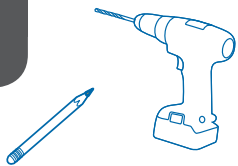
Brackets must be installed to the stair tread side of the rail.

For sections up to 6': Place one Foot Block in the center of the rail.

For sections 6' to 8': Space two Foot Blocks approximately at 1/3 intervals on the rail.

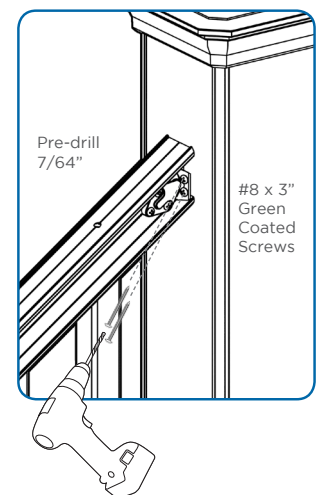
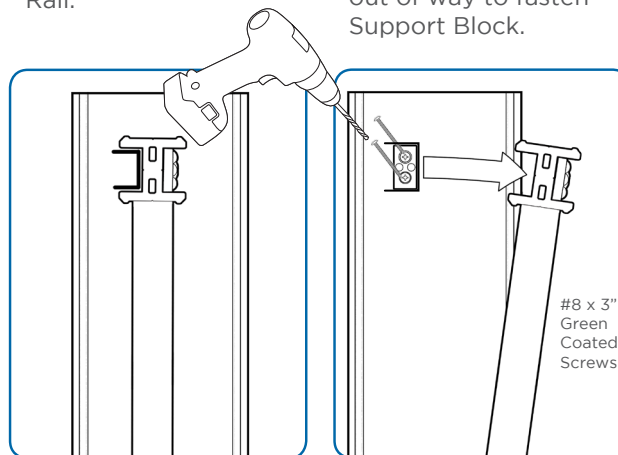
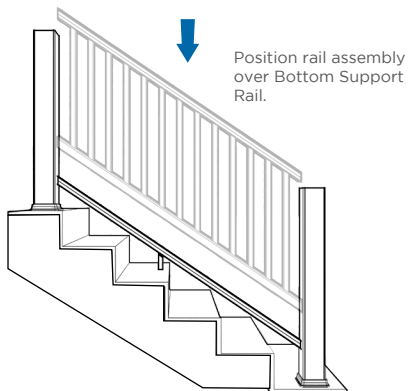


8



INSTALL RAIL ASSEMBLY

- Mark ends of Support Rail.
- Rotate Rail assembly out of way to fasten Support Block.
- Secure Mounting Brackets to Posts.



9



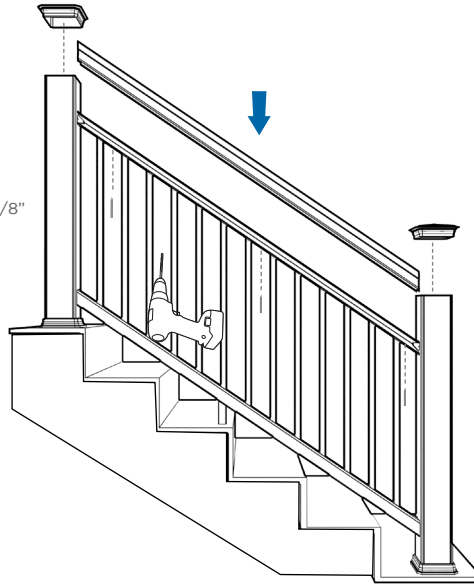
INSTALL BOTTOM SUPPORT RAIL

- Position Top Rail over Support Rail and attach with screws.
- Secure Post caps with exterior grade caulk.



For typical stair angles, use provided 2 5/8" Screws to fasten the Top Rail.

Pre-drill
7/64"
#8 x 2 5/8"
Coated
Screws





AZEK Building Products, Inc.
888 North Keyser Avenue • Scranton, PA 18504
www.AZEK.com • (877) ASK-AZEK (877) 275-2935