

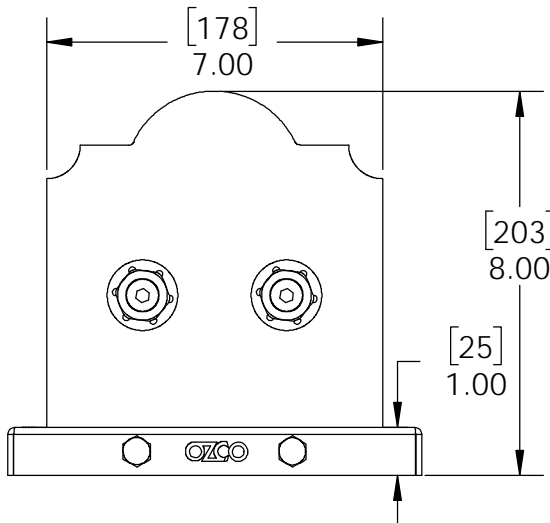
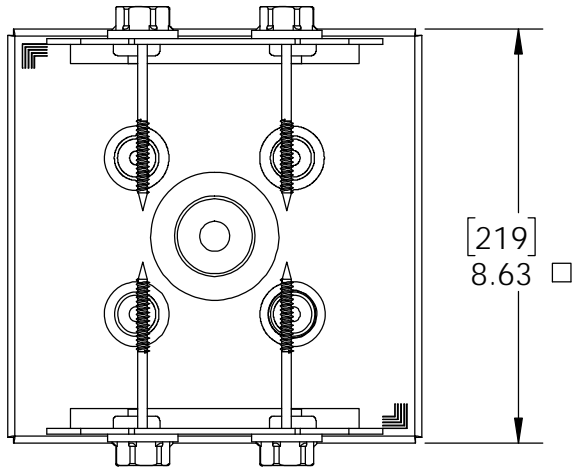


OZCO BUILDING PRODUCTS

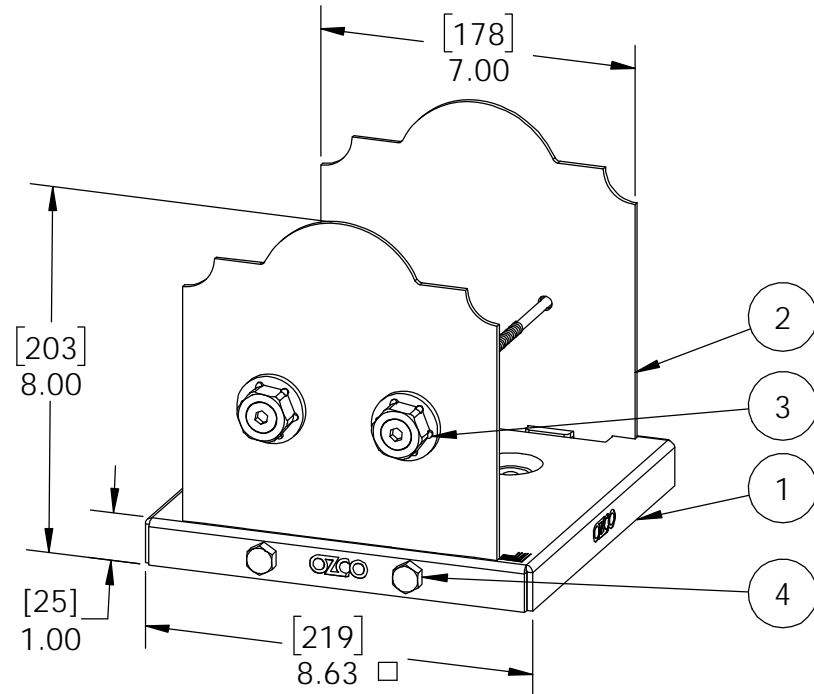
Product & Packaging Specs

Lite 8X8 Post Base (8X8-PB-LSL)

Item #: 54209



ITEM NO.	QTY.	PART NUMBER	DESCRIPTION
1	1	54209-11	8x8 Post Base
2	2	54209-12	Plate, Lite 8x8 Post Base Compression, Laredo Sunset
3	0.16	56627	Screw, OWT 3-3/4" (95mm) Timber with HCN
4	4	HBOLT 0.3750-16x0.75x0.75-N	Bolt



Weight: 6.85 LBS
 Scale: 1:4
 Last updated: 3/26/2018

54209

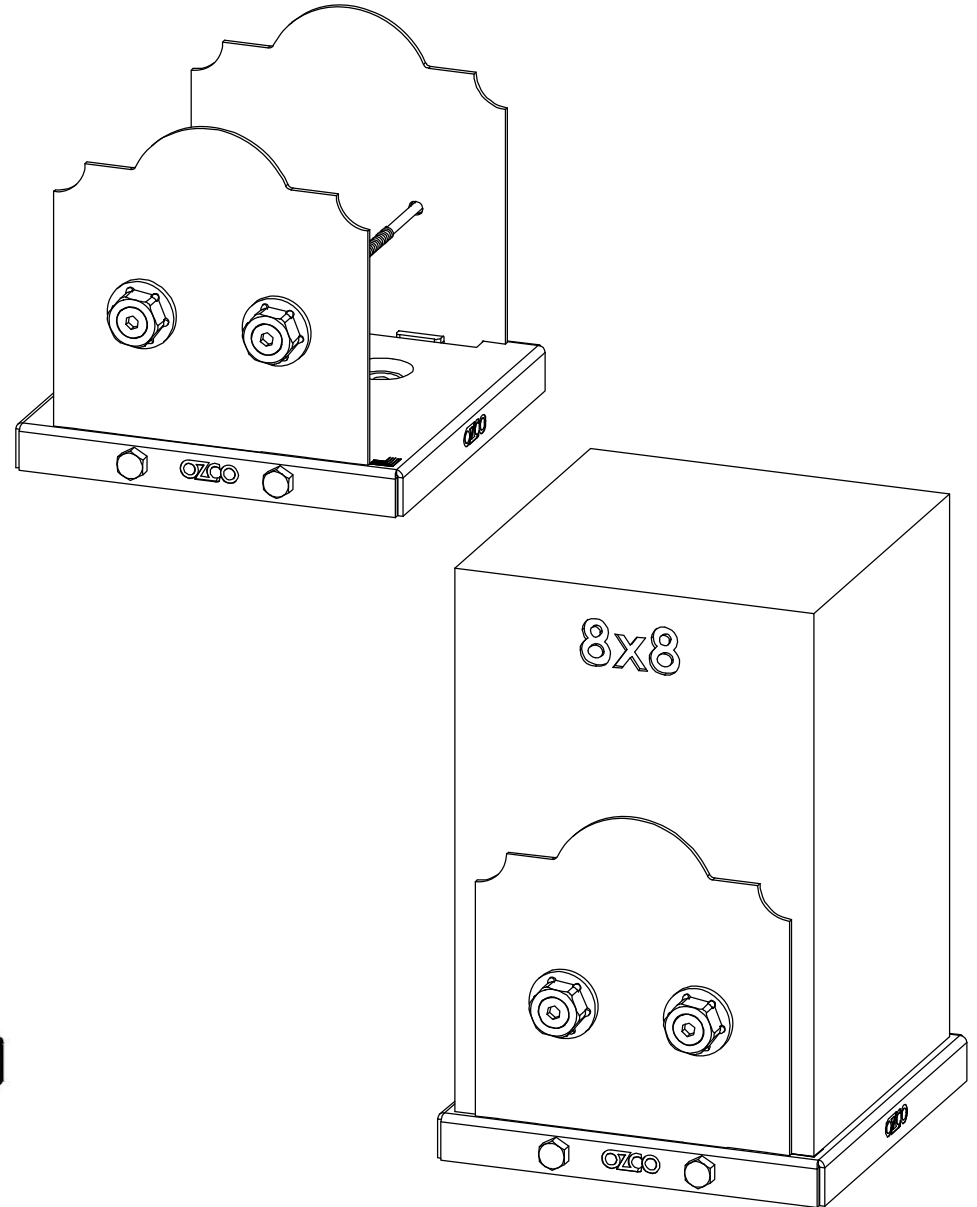


OZCO BUILDING PRODUCTS

Product & Packaging Specs

Lite 8X8 Post Base (8X8-PB-LSL)

Item #: 54209



Weight: 6.85 LBS
Scale: 1:4
Last updated: 3/26/2018

54209

V2.00 - Installation Instructions, Specifications and Project Plans are effective 3/26/2018 . This information is updated periodically 2 and should not be relied upon after 2 years from 3/26/2018 . Please visit OZCOBP.com to get current information.

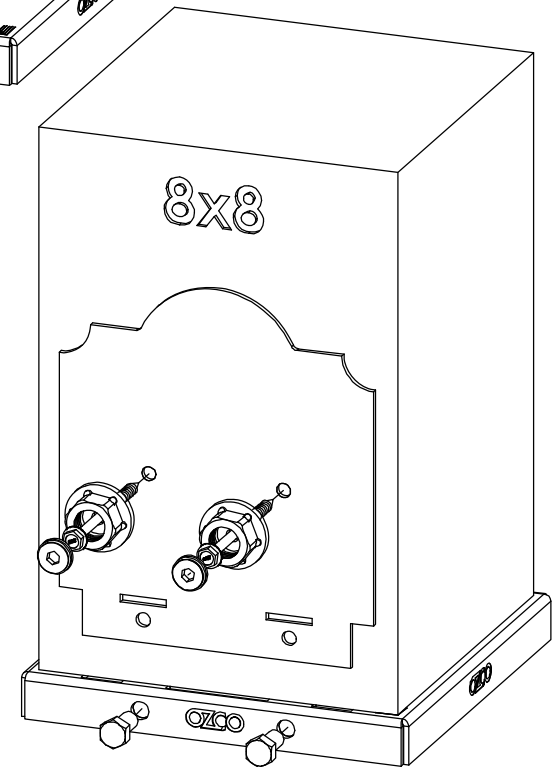
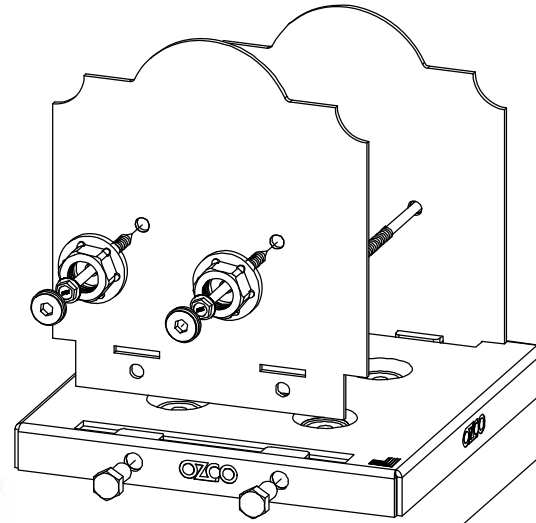
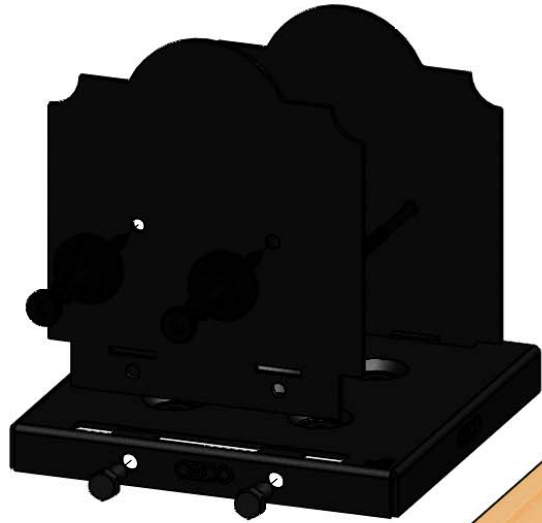


OZCO BUILDING PRODUCTS

Product & Packaging Specs

Lite 8X8 Post Base (8X8-PB-LSL)

Item #: 54209



Weight: 6.85 LBS
Scale: 1:4
Last updated: 3/26/2018

54209

V2.00 - Installation Instructions, Specifications and Project Plans are effective 3/26/2018 . This information is updated periodically 3 and should not be relied upon after 2 years from 3/26/2018 . Please visit OZCOBP.com to get current information.

Product & Packaging Specs

Box, 56607
 Item #: Box



Material: Corrugated Paper
 Finish: See artwork
 Weight: 46.11 LBS
 Scale: 1:3
 Last updated: 3/26/2018

54209

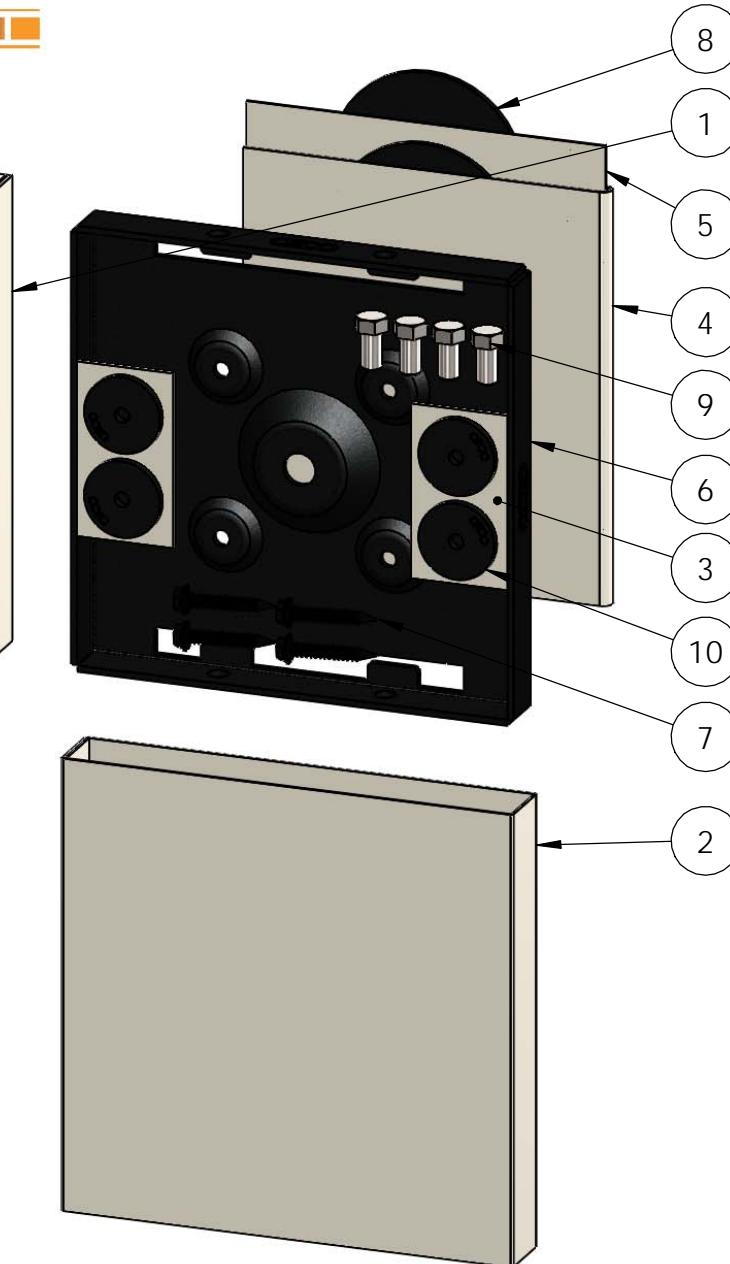


OZCO BUILDING PRODUCTS

Product & Packaging Specs

Packing 54209

Item #: Box packing



ITEM NO.	QTY.	PART NUMBER	DESCRIPTION
1	1	Box, 54209	Box, 56607
2	1	Sleeve for Base, 54209	Sleeve for Base, 54209
3	2	Packing for HCN, 54207	Packing for HCN, 54207
4	1	Sleeve for Plates, 54209	Sleeve for Plates, 54209
5	1	Separator for Plates, 54209	Separator for Plates, 54209
6	1	54209-11	8x8 Post Base
7	0.16	56625	OWT Timber Screw 1-3/4"
8	2	54209-12	Plate, Lite 8x8 Post Base Compression, Laredo Sunset
9	4	HBOLT 0.3750-16x0.75x0.75-N	Bolt
10	0.4	56621	1 1/2" Hex Cap Nut (HCN)

Weight: 7 LBS
 Scale: 1:3.5
 Last updated: 3/26/2018

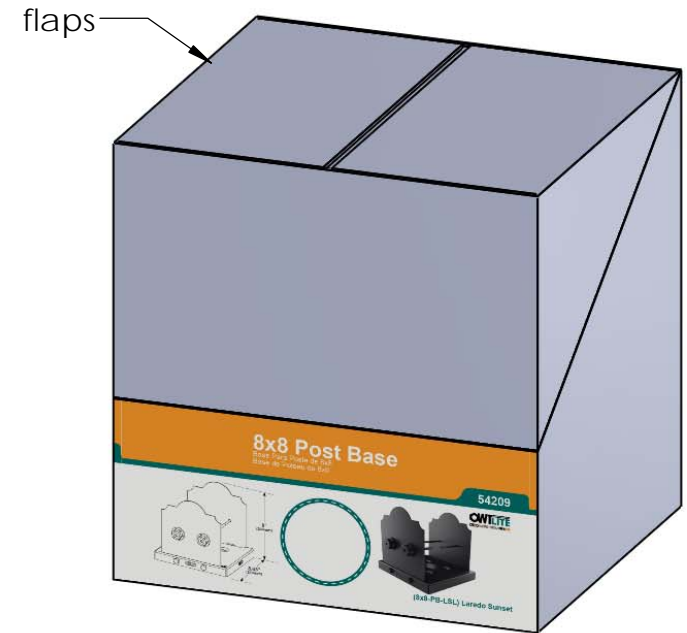
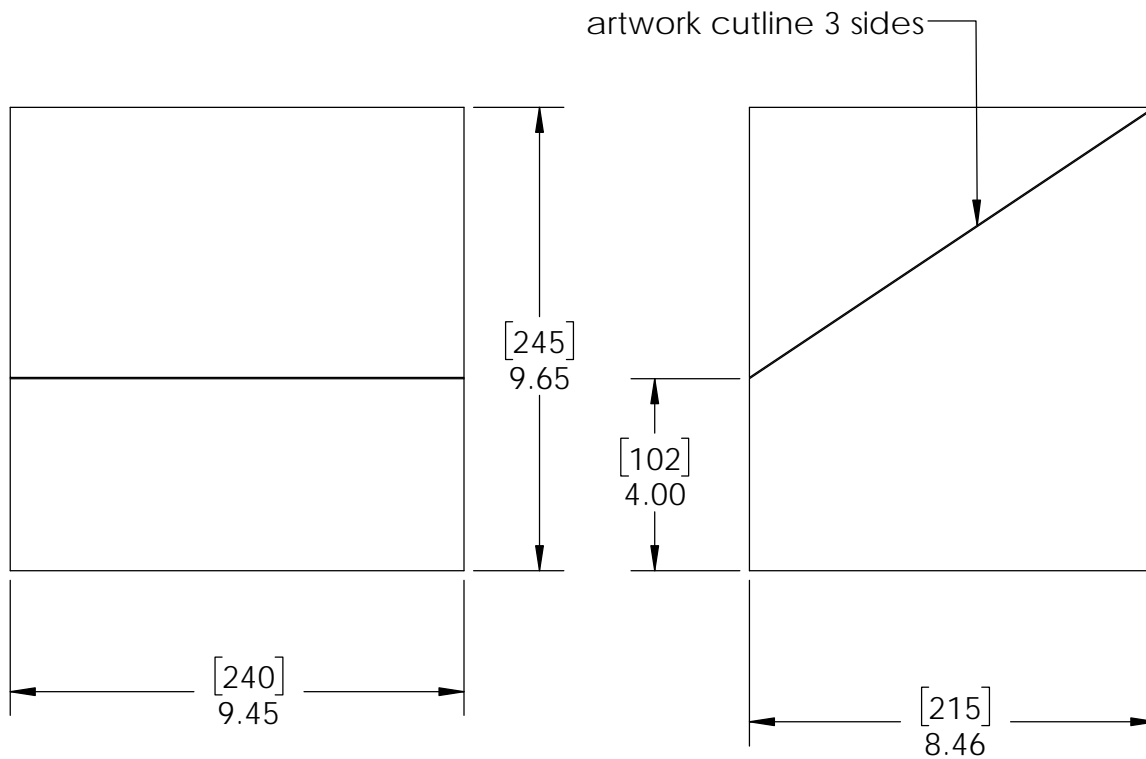
additional box packing instructions

- cellophane clear wrap package
- fasteners placed in plastic bag

54209

Product & Packaging Specs

Case, 54209
 Item #: Case

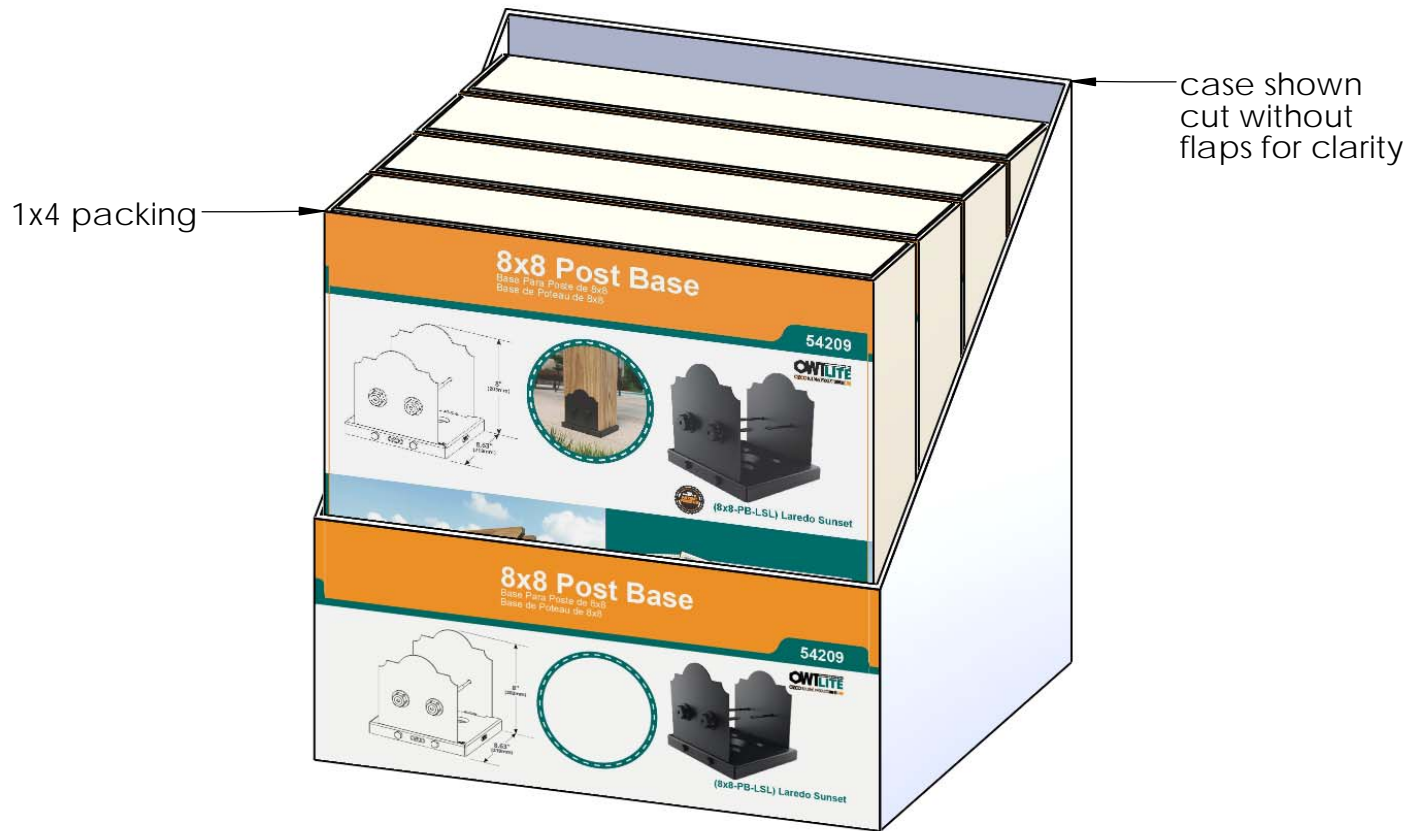


Material: Corrugated Paper
 Finish: See artwork
 Weight: 0.22 LBS
 Scale: 1:4
 Last updated: 3/26/2018

54209

Product & Packaging Specs

Packing 54209
Item #: Case packing



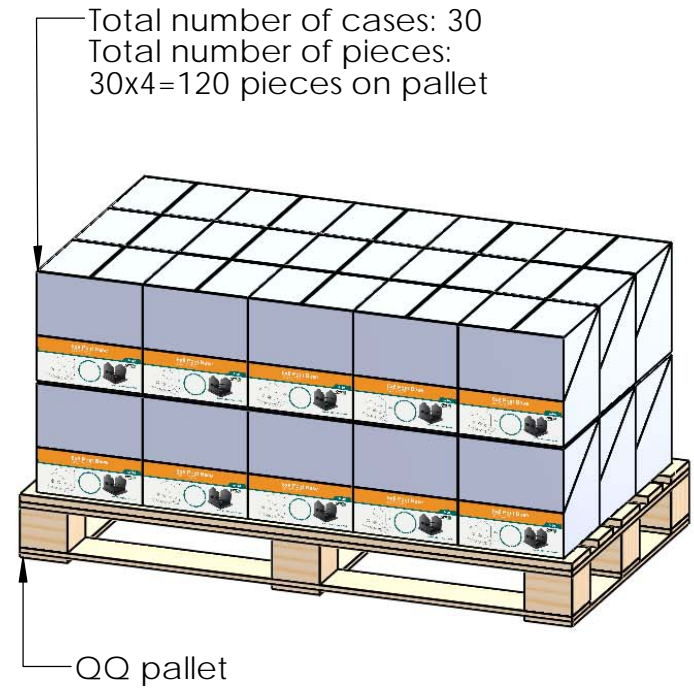
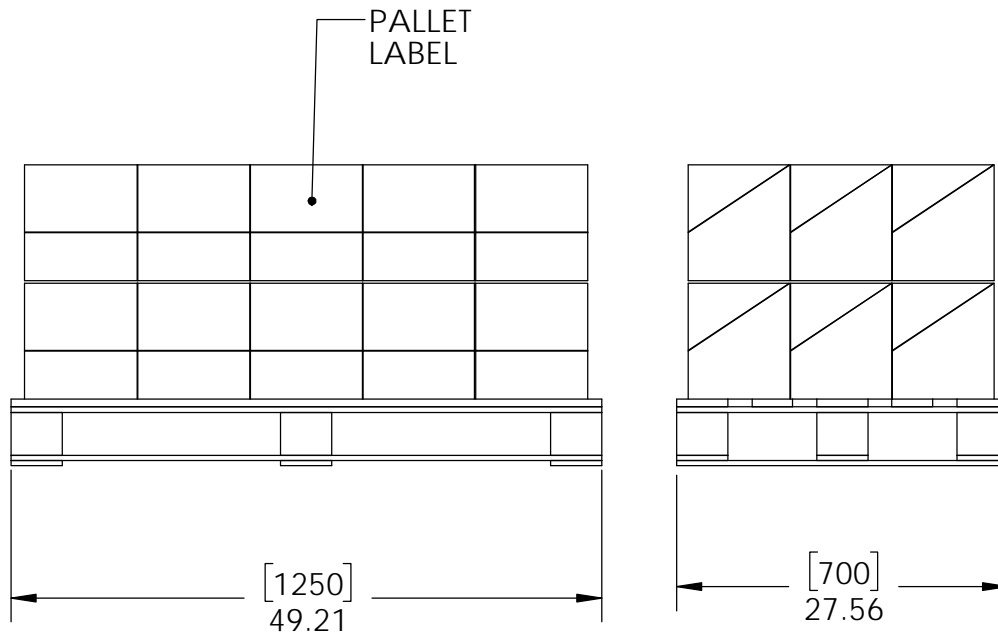
Weight: 30 LBS
Scale: 1:3
Last updated: 3/26/2018

54209

Product & Packaging Specs

Packing 54209

Item #: Pallet packing



Weight: 935 LBS
 Scale: 1:16
 Last updated: 3/26/2018

54209

additional pallet packing instructions

- plywood on top layer
- strap to pallet
- clear wrap around boxes

