

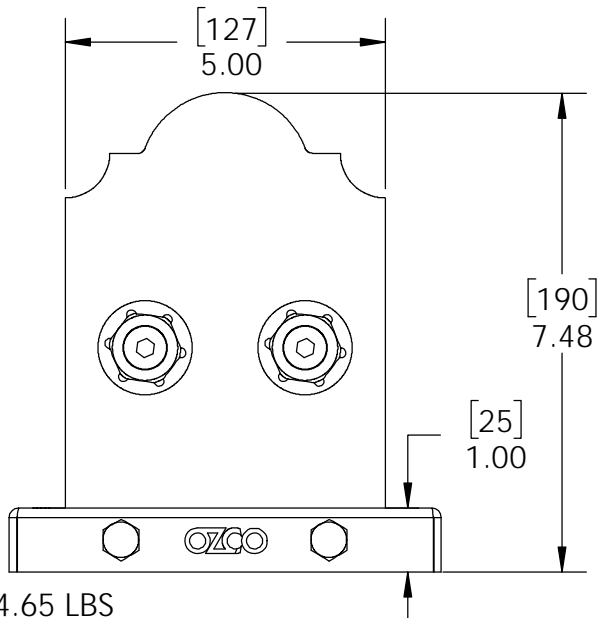
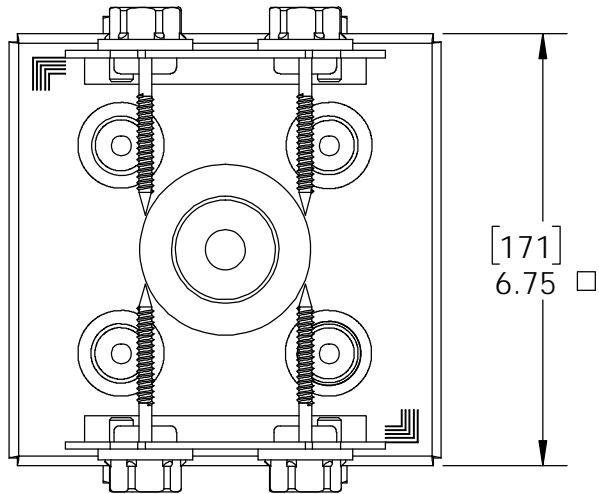


OZCO BUILDING PRODUCTS

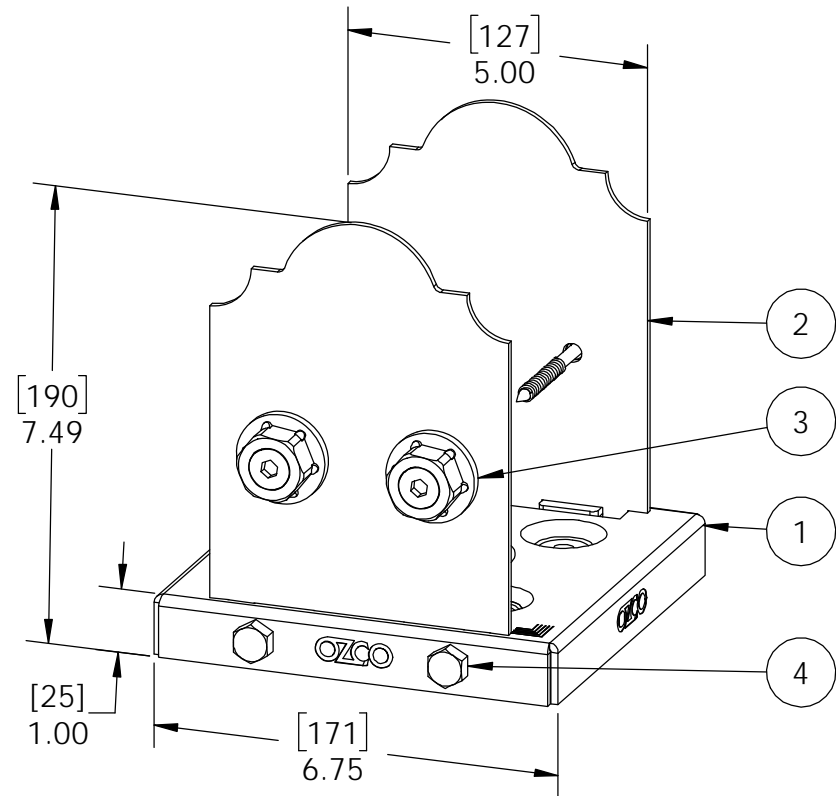
Product & Packaging Specs

Lite 6X6 Post Base (6X6-PB-LSL)

Item #: 54208



ITEM NO.	QTY.	PART NUMBER	DESCRIPTION
1	1	54208-11	6x6 Post Base Light II
2	2	54208-12	Plate, Lite 6x6 Post Base Compression, Laredo Sunset
3	0.16	56626	Screw, OWT 2-3/4" (70mm) Timber with HCN
4	4	HBOLT 0.3750-16x0.75x0.75-N	Bolt



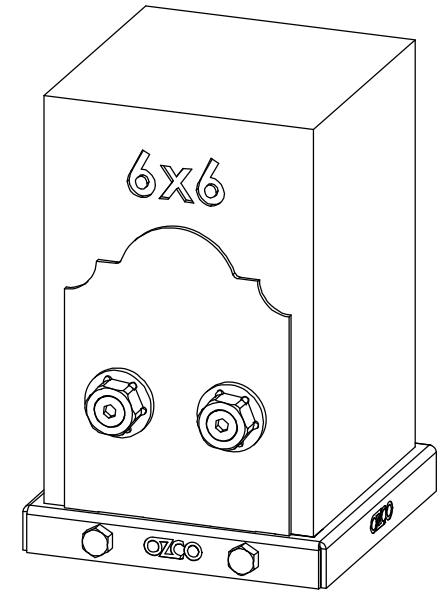
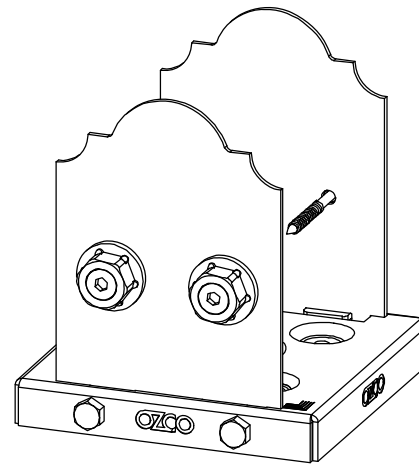
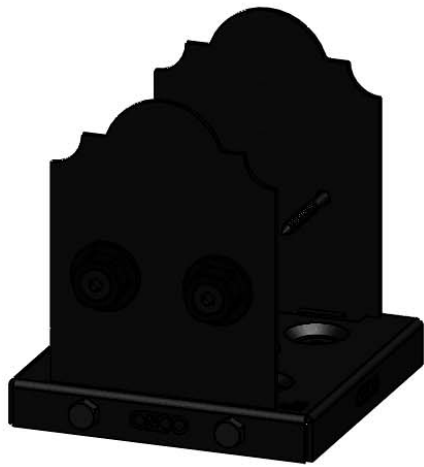
Weight: 4.65 LBS
 Scale: 1:3
 Last updated: 3/26/2018

54208

Product & Packaging Specs

Lite 6X6 Post Base (6X6-PB-LSL)

Item #: 54208



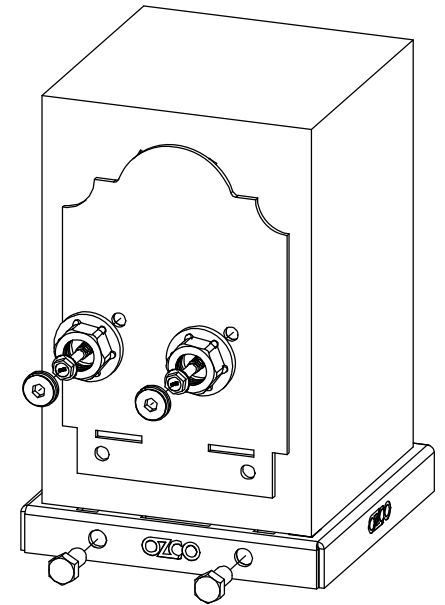
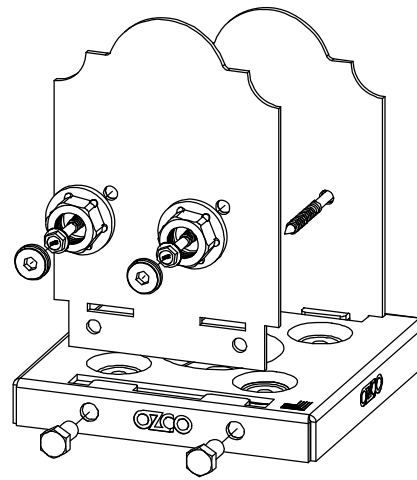
Weight: 4.65 LBS
Scale: 1:4
Last updated: 3/26/2018

54208

Product & Packaging Specs

Lite 6X6 Post Base (6X6-PB-LSL)

Item #: 54208

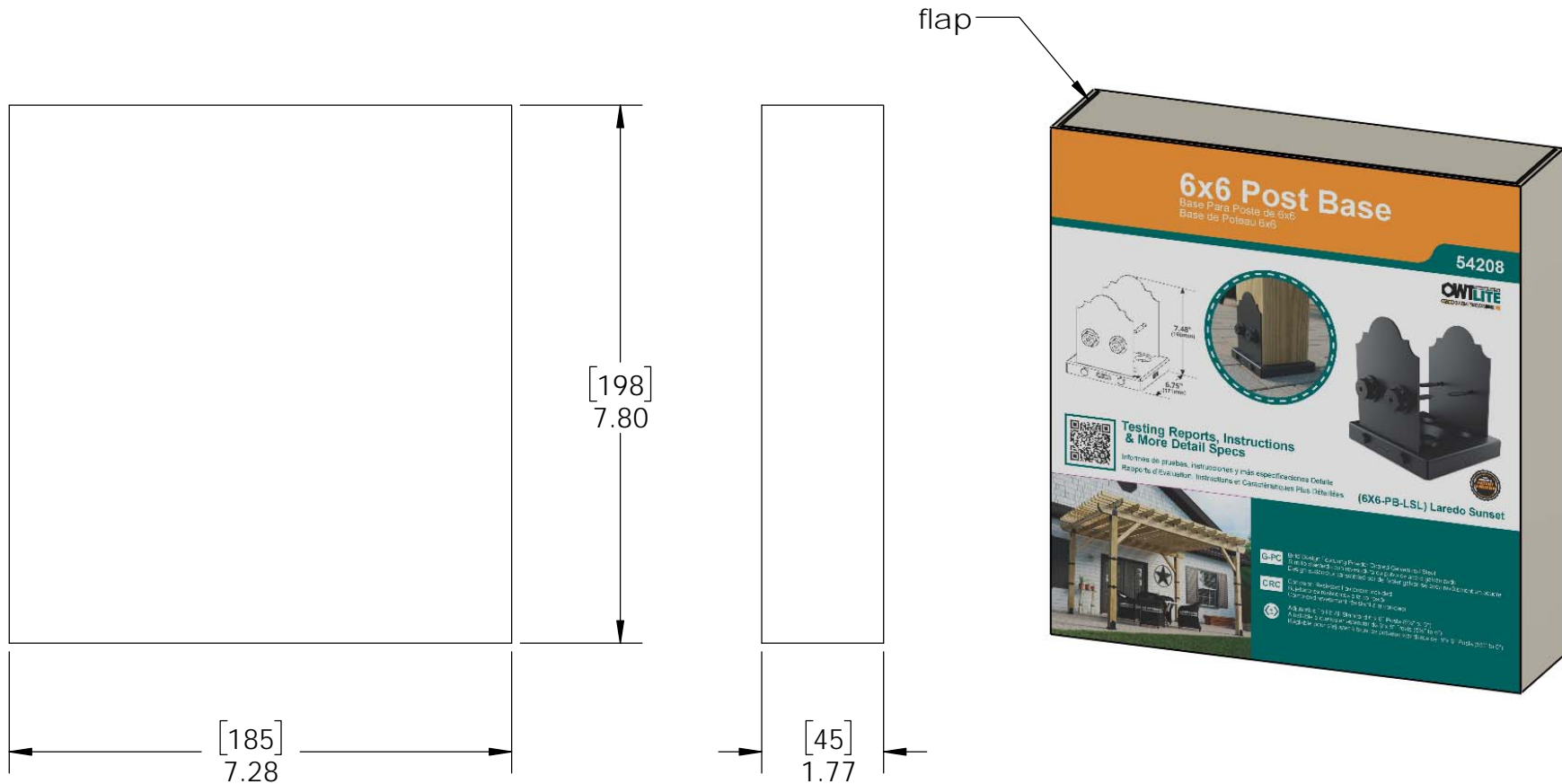


Weight: 4.65 LBS
Scale: 1:4
Last updated: 3/26/2018

54208

Product & Packaging Specs

Box, 54207
 Item #: Box



Material: Corrugated Paper
 Finish: See artwork
 Weight: 0.07 LBS
 Scale: 1:2.5
 Last updated: 3/26/2018

54208



OZCO BUILDING PRODUCTS

Product & Packaging Specs

Packing 54208

Item #: Box packing



ITEM NO.	QTY.	PART NUMBER	DESCRIPTION
1	1	Box, 54208	Box, 54207
2	1	Sleeve for Base, 54208	Sleeve for Base, 54208
3	2	Packing for HCN, 54207	Packing for HCN, 54207
4	1	Sleeve for Plates, 54208	Sleeve for Plates, 54208
5	1	Separator for Plates, 54208	Separator for Plates, 54208
6	1	54208-11	6x6 Post Base Light II
f	2	54208-12	Plate, Lite 6x6 Post Base Compression, Laredo Sunset
8	0.16	56625	OWT Timber Screw 1-3/4"
9	4	HBOLT 0.3750-16x0.75x0.75-N	Bolt
10	0.4	56621	1 1/2" Hex Cap Nut (HCN)

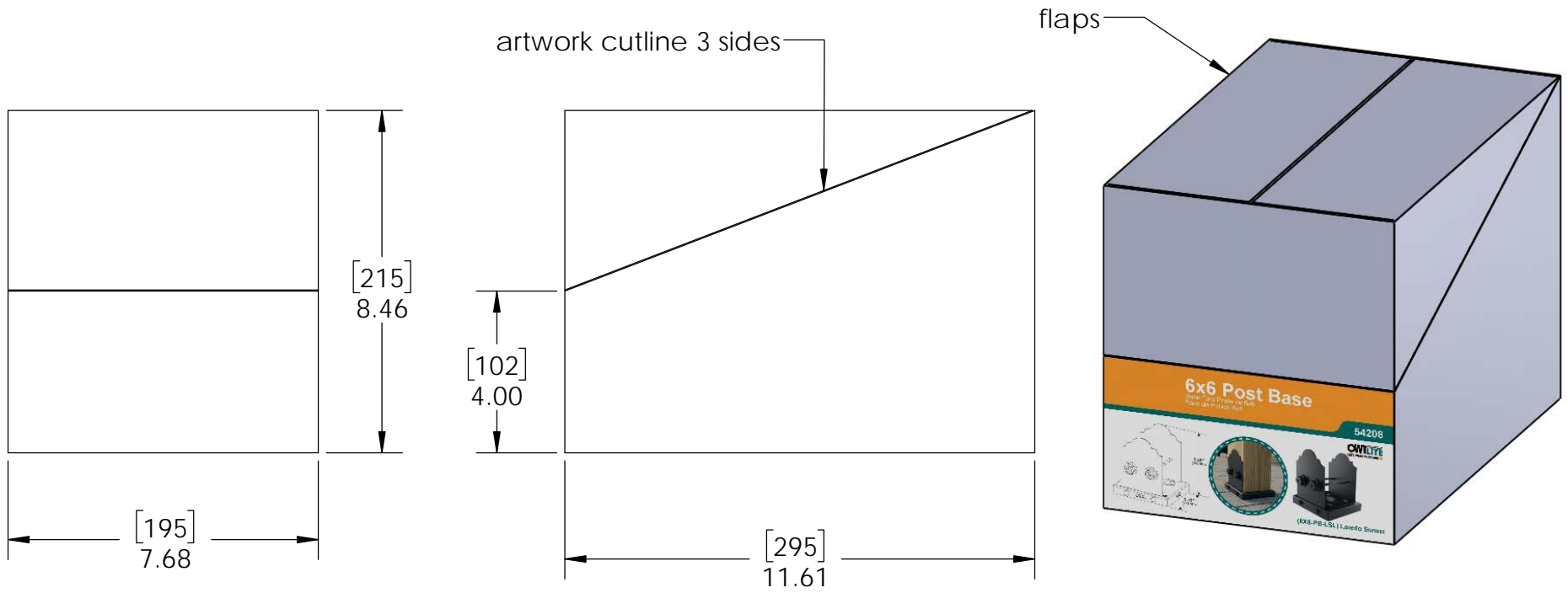
- additional box packing instructions
- cellophane clear wrap package
 - fasteners placed in plastic bag

Weight: 5.5 LBS
 Scale: 1:3
 Last updated: 3/26/2018

54208

Product & Packaging Specs

Case, 54208
 Item #: Case



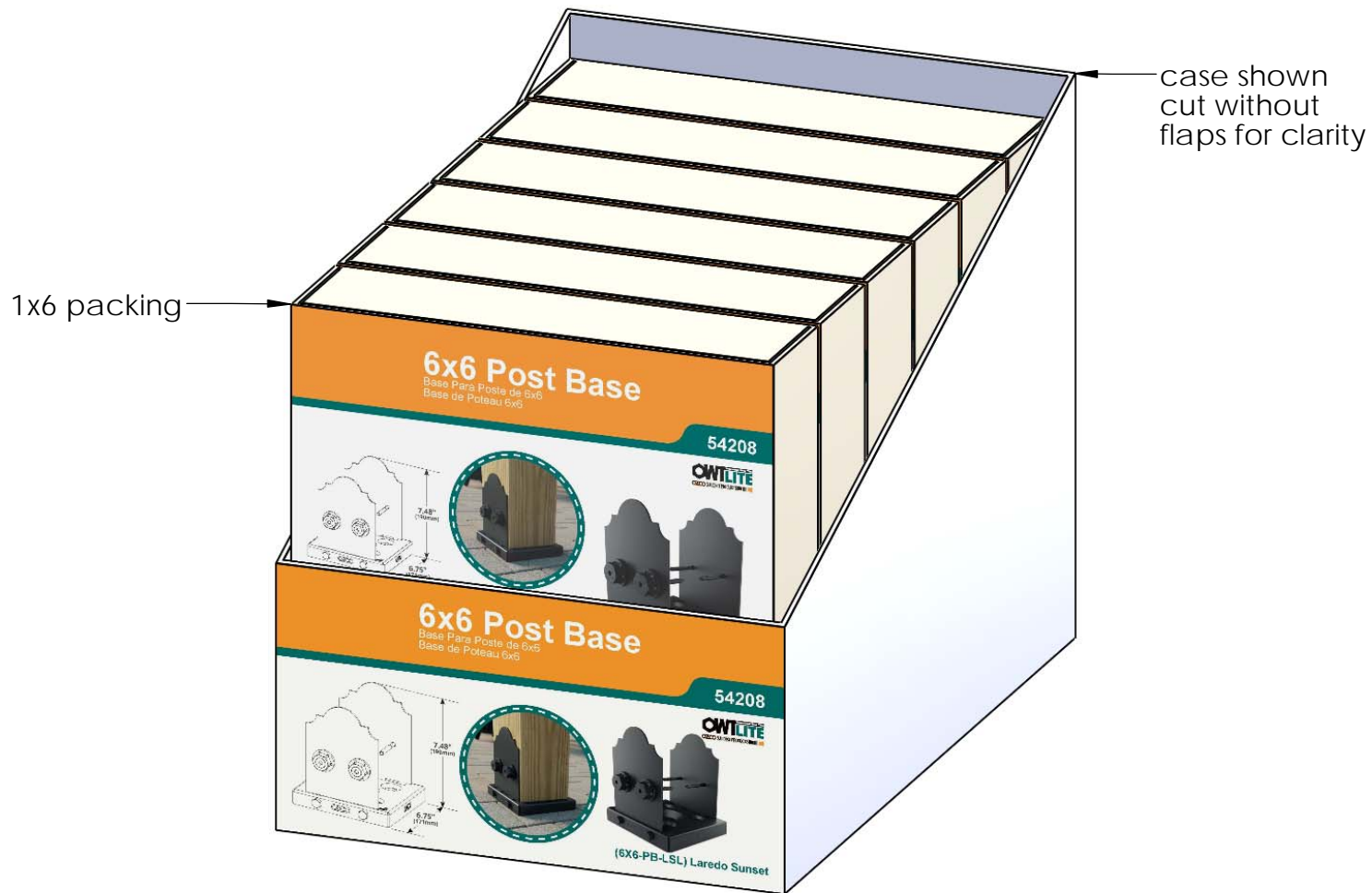
Material: Corrugated Paper
 Finish: See artwork
 Weight: 0.22 LBS
 Scale: 1:4
 Last updated: 3/26/2018

54208

Product & Packaging Specs

Packing 54208

Item #: Case packing



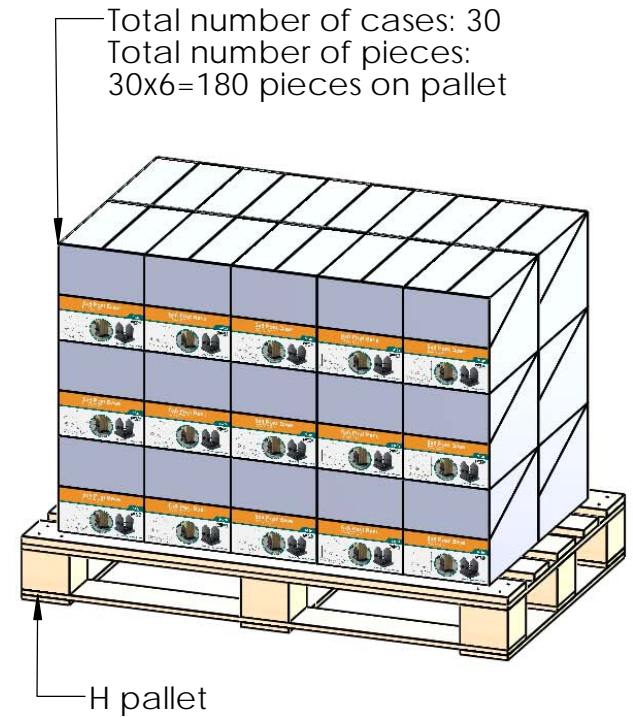
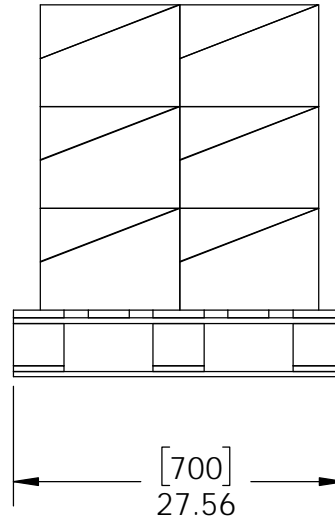
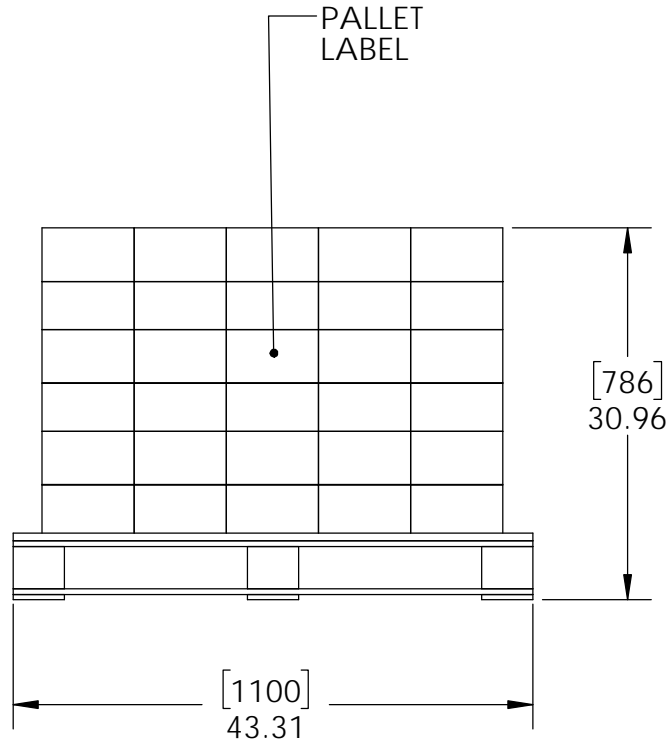
Weight: 31 LBS
 Scale: 1:2.5
 Last updated: 3/26/2018

54208

Product & Packaging Specs

Packing 54208

Item #: Pallet packing



Weight: 959 LBS
 Scale: 1:16
 Last updated: 3/26/2018

54208

additional pallet packing instructions

- plywood on top layer
- strap to pallet
- clear wrap around boxes

