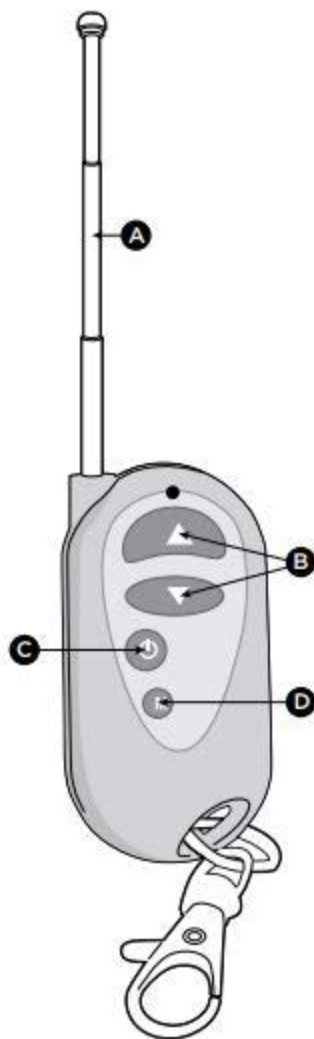


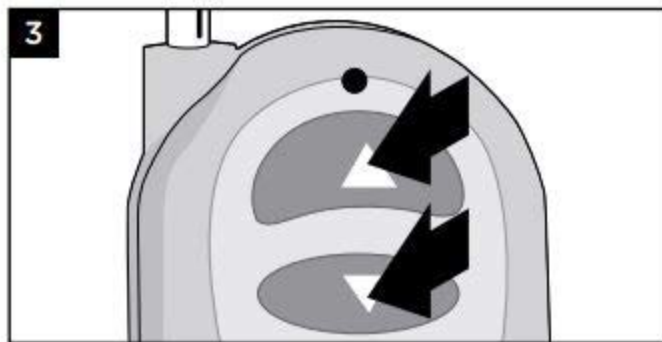
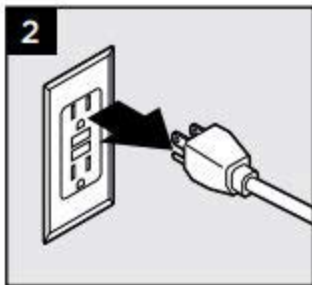
HOW TO PROGRAM DIMMER REMOTE



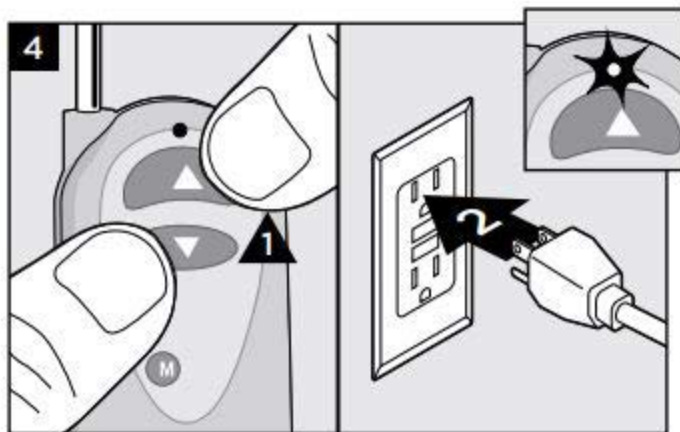
- A. **ALWAYS** keep antenna fully extended for maximum range.
- B. Up/Down arrows gradually dim or brighten lighting.
- C. On/Off button cycles lights ON/OFF.
- D. Mode button cycles through 3 preset dimming levels: High, Medium, Low, and Off.

NOTE: First, make sure the red light is illuminated on the remote. If there is no red light and the product is new, contact 1-800 BUY-TREX for a replacement. If the product is not new, the A27 battery is replaceable.

1. Install dimmer per instructions and make sure lights are ON and working properly.
2. Unplug the transformer to turn lights OFF.



3. Press and hold both the up and down arrow on the dimmer remote simultaneously.



4. With the dimmer arrow buttons held down, plug the transformer back in. The lights should blink once to confirm programming.
5. Release the up and down arrows on the remote and test remote to confirm proper operation.