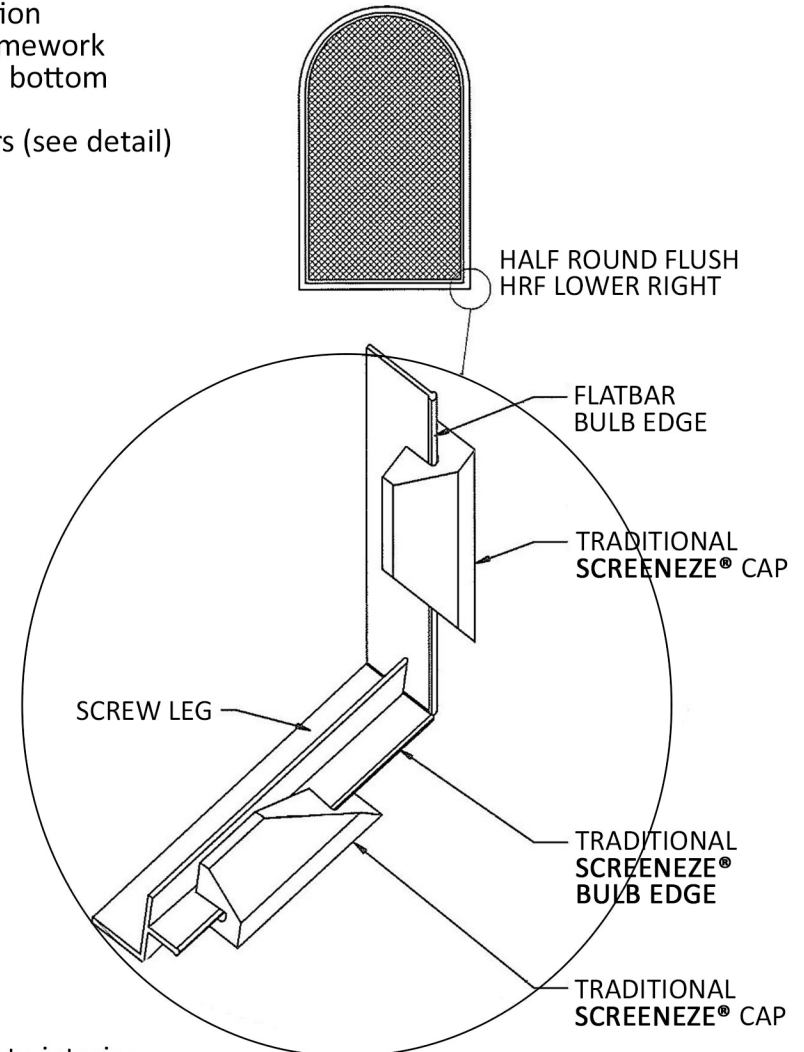
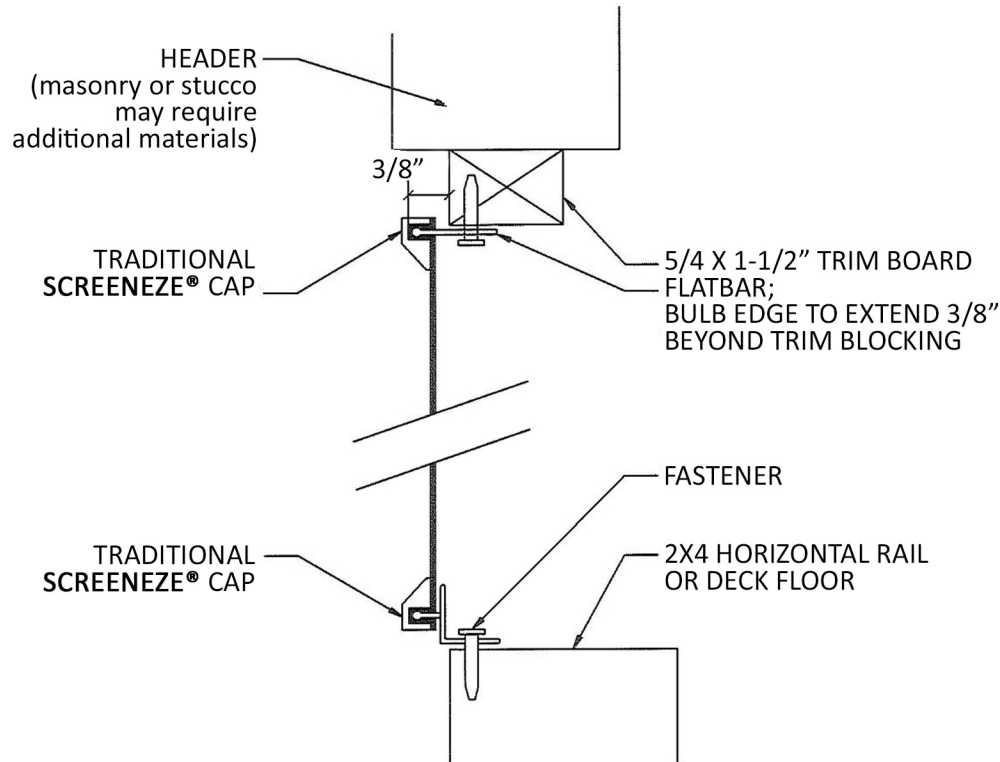


SCREENEZE® FLATBAR HALF ROUND EXTERIOR FLUSH MOUNT

- Fully understand the installation of the Traditional SCREENEZE® application
- FLATBAR installed flush on half round & vertical sides with additional framework
- Traditional SCREENEZE® installed flush with no additional framework on bottom
- Or FLATBAR installed on bottom with additional framework/trim board
- Bulb edge of FLATBAR must align with Traditional SCREENEZE® at corners (see detail)

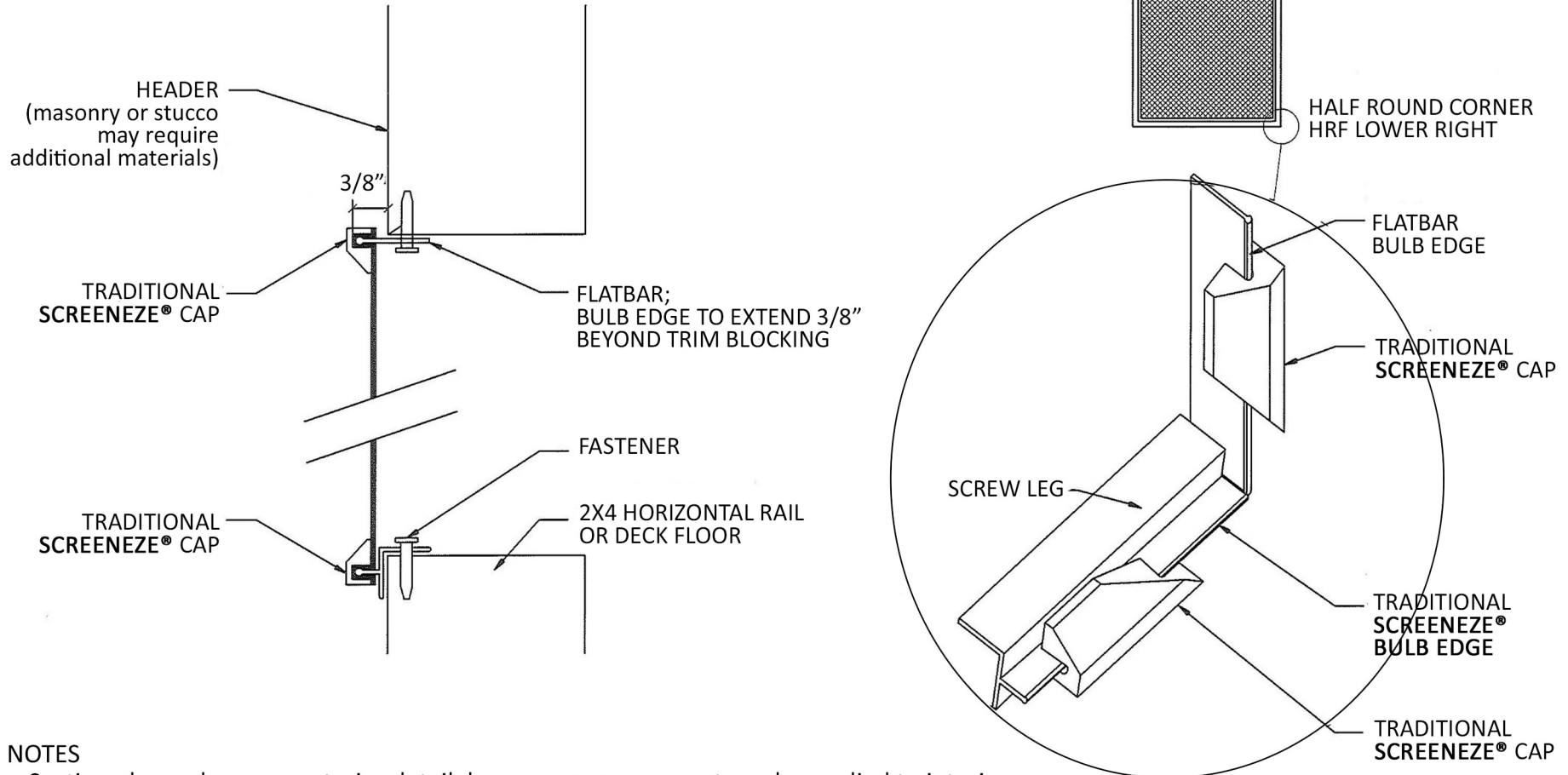


NOTES

- Section above shown as exterior detail; however same concept can be applied to interior
- When installing an arched panel, follow the same instructions as Traditional SCREENEZE®, however, put the bottom on first, then top, then sides/verticals.

SCREENEZE® FLATBAR HALF ROUND EXTERIOR CORNER MOUNT

- Fully understand the installation of the Traditional SCREENEZE® application
- FLATBAR installed on half round & vertical sides
- Traditional SCREENEZE® or FLATBAR installed on bottom
- Bulb edge of FLATBAR must align with Traditional SCREENEZE® at corners (see detail)

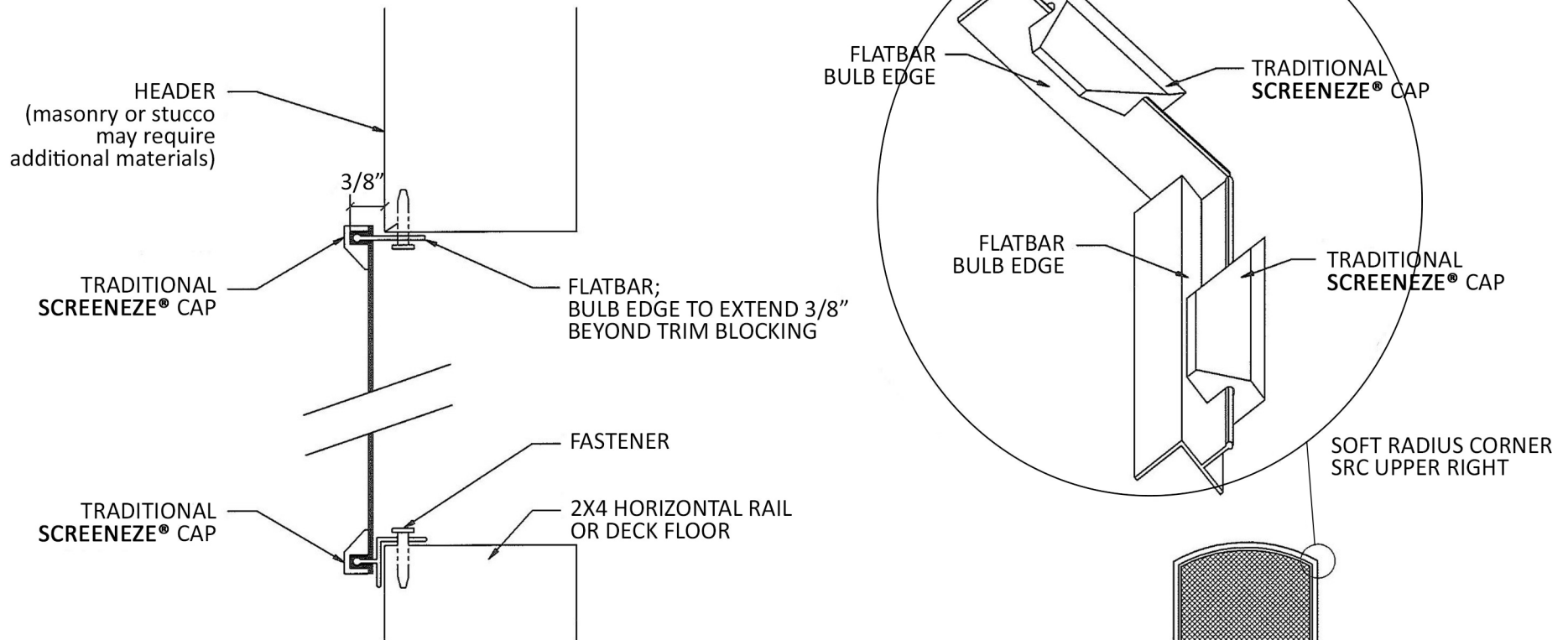


NOTES

- Section above shown as exterior detail; however same concept can be applied to interior
- When installing an arched panel, follow the same instructions as Traditional SCREENEZE®, however, put the bottom on first, then top, then sides/verticals.

SCREENEZE® FLATBAR SOFT RADIUS EXTERIOR CORNER MOUNT

- Fully understand the installation of the Traditional SCREENEZE® application
- FLATBAR installed on radius
- Traditional SCREENEZE® installed on bottom and vertical sides
- Bulb edge of FLATBAR must align with Traditional SCREENEZE® at corners (see detail)

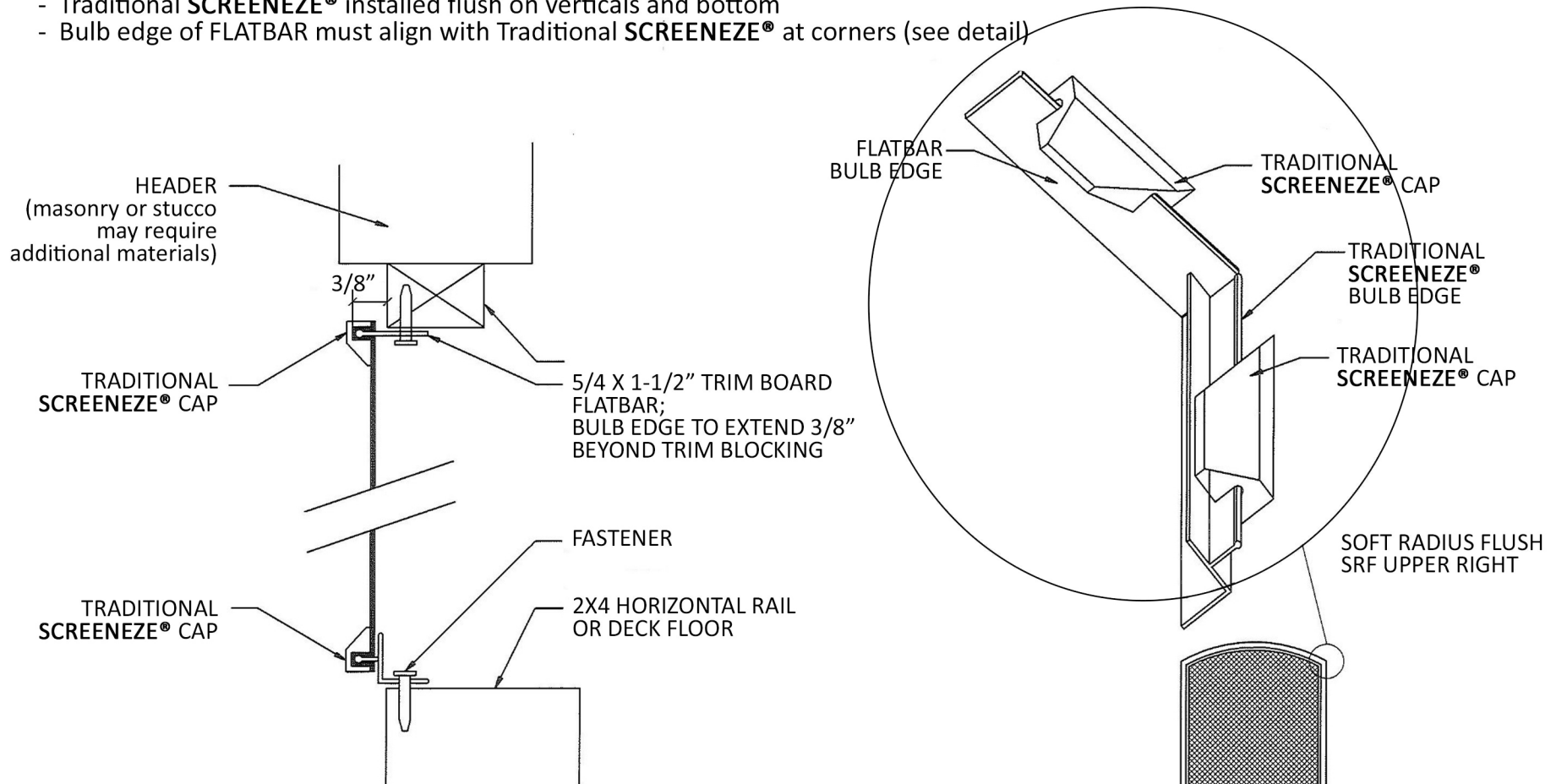


NOTES

- Section above shown as exterior detail; however same concept can be applied to interior
- When installing an arched panel, follow the same instructions as Traditional SCREENEZE®, however, put the bottom on first, then top, then sides/verticals.
- Traditional SCREENEZE® installed corner mount on verticals & bottom
- Flatbar must align with Traditional SCREENEZE® at corners (see detail above)

SCREENEZE® FLATBAR SOFT RADIUS EXTERIOR FLUSH MOUNT

- Fully understand the installation of the Traditional SCREENEZE® application
- FLATBAR installed flush on soft radius top with additional framework
- Traditional SCREENEZE® installed flush on verticals and bottom
- Bulb edge of FLATBAR must align with Traditional SCREENEZE® at corners (see detail)



NOTES

- Section above shown as exterior detail; however same concept can be applied to interior
- When installing an arched panel, follow the same instructions as Traditional SCREENEZE®, however, put the bottom on first, then top, then sides/verticals.