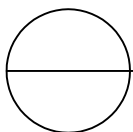


**NOTES:**

1. INSTALLATION TO BE COMPLETED IN ACCORDANCE WITH MANUFACTURER'S SPECIFICATIONS.
2. DO NOT SCALE DRAWINGS.
3. FRAME OF DECK IS ONLY GRAPHICAL REPRESENTATION FOR THE INSTALLATION OF THE RainEscape® DRAINAGE SYSTEM.
4. REFER TO DRAWING 839-007 FOR INSTALLATION WITH OBSTRUCTIONS.
5. CONTRACTORS NOTE: FOR PRODUCT AND COMPANY INFORMATION VISIT [www.CADdetails.com/info](http://www.CADdetails.com/info) REFERENCE NUMBER 839-001.



## INSTALLATION DETAIL

FOR COMPLETE INSTALLATION DETAILS REFER TO SPECIFIC DRAWINGS AS INDICATED ABOVE

# RainEscape®

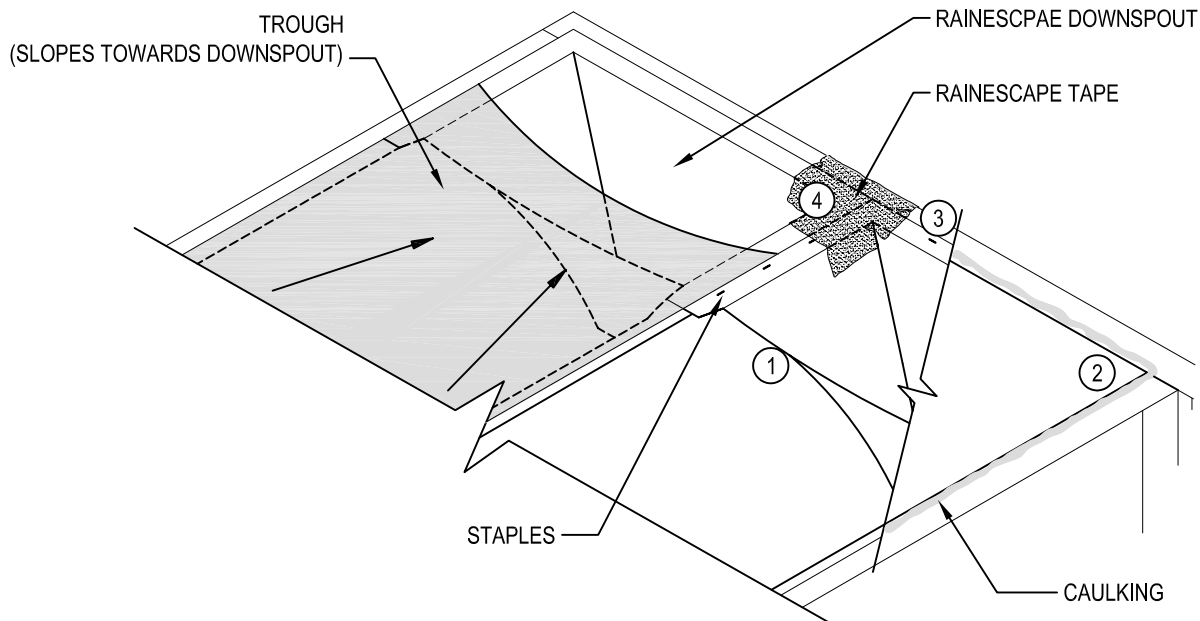


THE DECK DRAINAGE SYSTEM

RainEscape  
2965 SOUTH TEJON STREET  
ENGLEWOOD, CO 80110  
PHONE: (720) 348-1385  
TOLL FREE: (877) 348-1385  
FAX: (303) 781-9797  
www.rainescape.com

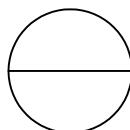
## INSTALLATION INSTRUCTIONS:

- ①- CUT OUT THE SIDE OF THE DOWNSPOUT THAT MATCHES THE JOIST SPACING.  
(16" o.c. OR 12" o.c.).  
- CUTS SHOULD FOLLOW THE SCOREMARKS ON THE APPROPRAITE SIDE.
- ②- APPLY RAINESCAPE CAULK ALONG THE ENTIRE PERIMETER OF THE DECK WHERE THE DOWNSPOUTS ARE TO BE INSTALLED. (RIM JOISTS, LEDGERS, OUTSIDE JOISTS, etc.)
- ③- INSTALL FIRST DOWNSPOUT BY STAPLING INTO PLACE. CAULK ALONG RIM JOIST AND PERIMETER JOIST.  
- INSTALL ADJACENT DOWNSPOUT AND STAPLE INTO PLACE.  
- CAULK BETWEEN OVERLAPPING PIECES AND RIM JOISTS.



## NOTES:

1. INSTALLATION TO BE COMPLETED IN ACCORDANCE WITH MANUFACTURER'S SPECIFICATIONS.
2. DO NOT SCALE DRAWINGS.
3. REFER TO DRAWING 839-003 FOR INSTALLATION OF TROUGH.
4. CONTRACTORS NOTE: FOR PRODUCT AND COMPANY INFORMATION VISIT [www.CADdetails.com/info](http://www.CADdetails.com/info) REFERENCE NUMBER 839-002.



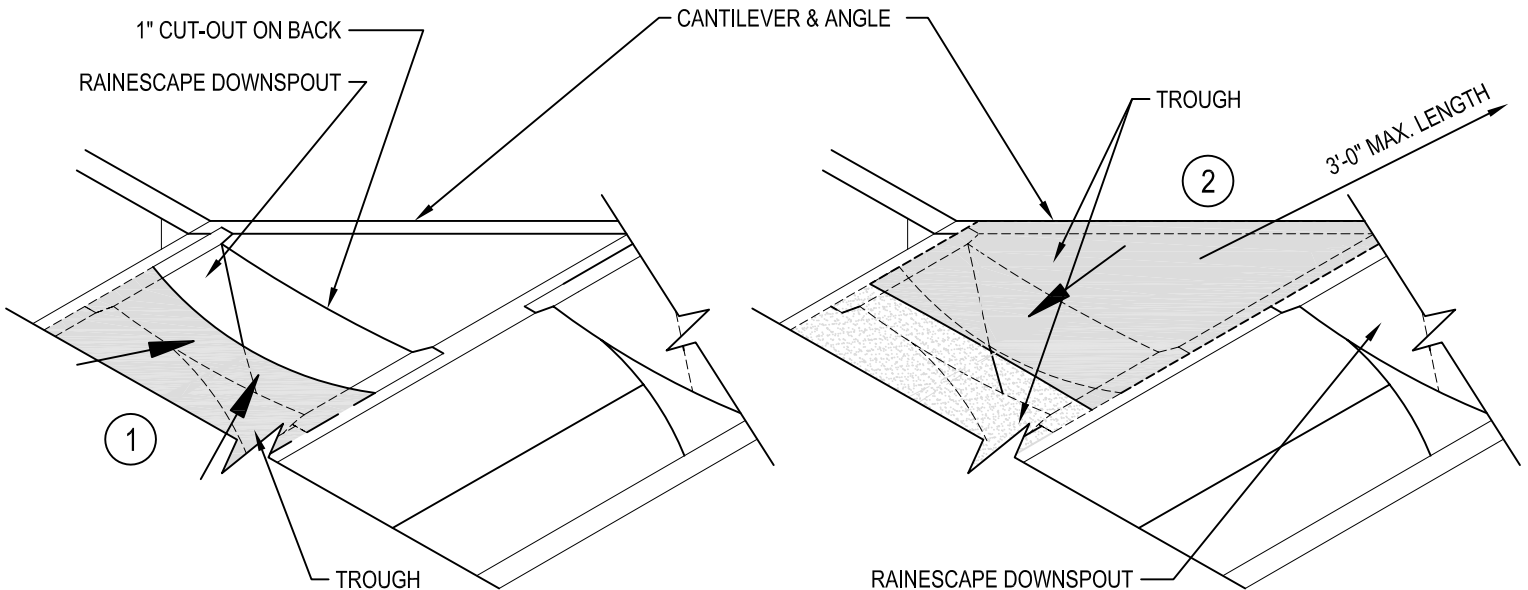
## INSTALLATION DETAIL

DOWNSPOUT



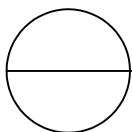
## INSTALLATION INSTRUCTIONS:

- ①- DRAW A LINE FROM CORNER TO CORNER ON THE DOWNSPOUT EXTENDING DOWN 1" FROM THE CENTER OF BOTH SIDES AND CUT ALONG THE LINE.
  - CHAULK UNDER BOTH FLANGES AND INSTALL THE DOWNSPOUT USING THE CHAULK LINE AS A GUIDE (THIS WILL ONLY WORK WITH A DISTANCE 3'-0" OR LESS).
  - REPEAT STEPS AS NEEDED (ON ANGLES).
  - INSTALL TROUGH STARTING UP UNDER THE FLASHING (AT WALL).
  - ROLL OUT THE TROUGH TO THE BEGINNING OF THE PREVIOUSLY-INSTALLED DOWNSPOUT. STAPLE IN TO PLACE ALONG THE 1 1/2" SCORE MARK; MAKE SURE TROUGH IS FREE OF WRINKLES.
- ②- CAULK THE ANGLE RIM JOIST, AND ALONG THE TOP OF THE PREVIOUSLY INSTALLED DOWNSPOUT AND TROUGH.
  - REPEAT STEPS FOR INSTALLING TROUGH.
  - STAPLE THE TROUGH INTO PLACE. (NOTE: THE NEW TROUGH OVERLAPS THE EXISTING TROUGH)
  - CUT OFF THE EXCESS TROUGH MATERIAL.
  - REPEAT STEPS WHERE NEEDED.



## NOTES:

1. INSTALLATION TO BE COMPLETED IN ACCORDANCE WITH MANUFACTURER'S SPECIFICATIONS.
2. DO NOT SCALE DRAWINGS.
3. REFER TO DRAWING 839-002 FOR CONNECTION OF DOWNSPOUT.
4. CONTRACTORS NOTE: FOR PRODUCT AND COMPANY INFORMATION VISIT [www.CADdetails.com/info](http://www.CADdetails.com/info) REFERENCE NUMBER 839-004.



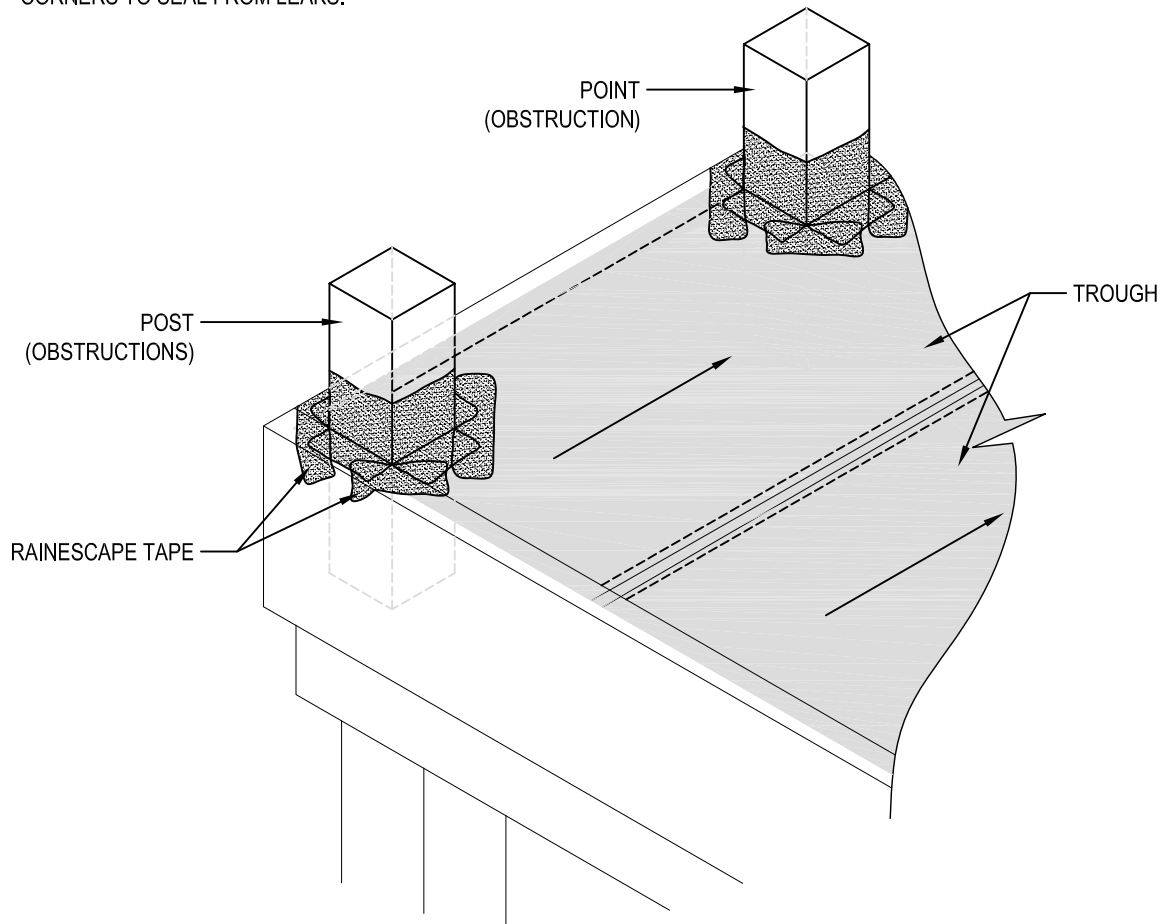
## INSTALLATION DETAIL

CANTILEVER & ANGLE DOWNSPOUT (FOLLOWING JOISTS)



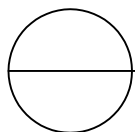
## INSTALLATION INSTRUCTIONS:

1. TRACE EDGES OF OBSTRUCTION ON TO THE TROUGH; MARK THE POSITION OF THE OBSTRUCTION WITH 2 LINES FROM CORNER TO CORNER OF THE OUTLINE.
  - CUT ALONG THE LINES THAT EXTEND CORNER TO CORNER OF THE OUTLINE.
  - PULL UP THESE TABS AND INSTALL OBSTRUCTION.
  - WRAP THE RAINEscape TAPE AROUND THE OBSTRUCTION DOWN ON TO THE TROUGH. CUT THE TAPE AT A 45° ANGLE ON ALL CORNERS. PLACE A SMALL PIECE OF TAPE OVER THE CUT CORNERS TO SEAL FROM LEAKS.



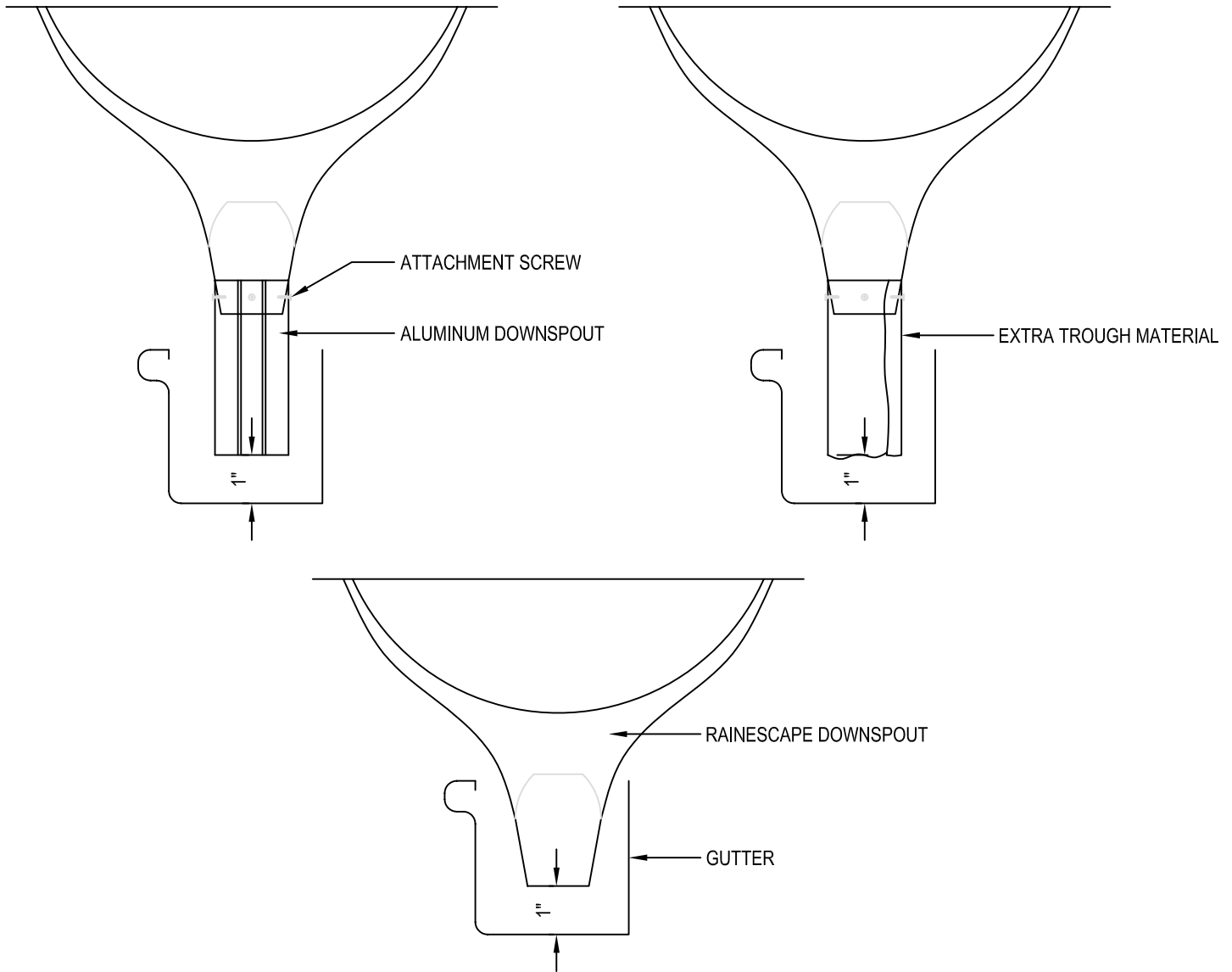
## NOTES:

1. INSTALLATION TO BE COMPLETED IN ACCORDANCE WITH MANUFACTURER'S SPECIFICATIONS.
2. DO NOT SCALE DRAWINGS.
3. REFER TO DRAWING 839-003 FOR CONNECTION OF DOWNSPOUT.
4. CONTRACTORS NOTE: FOR PRODUCT AND COMPANY INFORMATION VISIT [www.CADdetails.com/info](http://www.CADdetails.com/info) REFERENCE NUMBER 839-010.



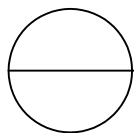
## INSTALLATION DETAIL

OBSTRUCTIONS



**NOTES:**

1. INSTALLATION TO BE COMPLETED IN ACCORDANCE WITH MANUFACTURER'S SPECIFICATIONS.
2. DO NOT SCALE DRAWINGS.
3. CONTRACTORS NOTE: FOR PRODUCT AND COMPANY INFORMATION VISIT [www.CADdetails.com/info](http://www.CADdetails.com/info) REFERENCE NUMBER 839-011.

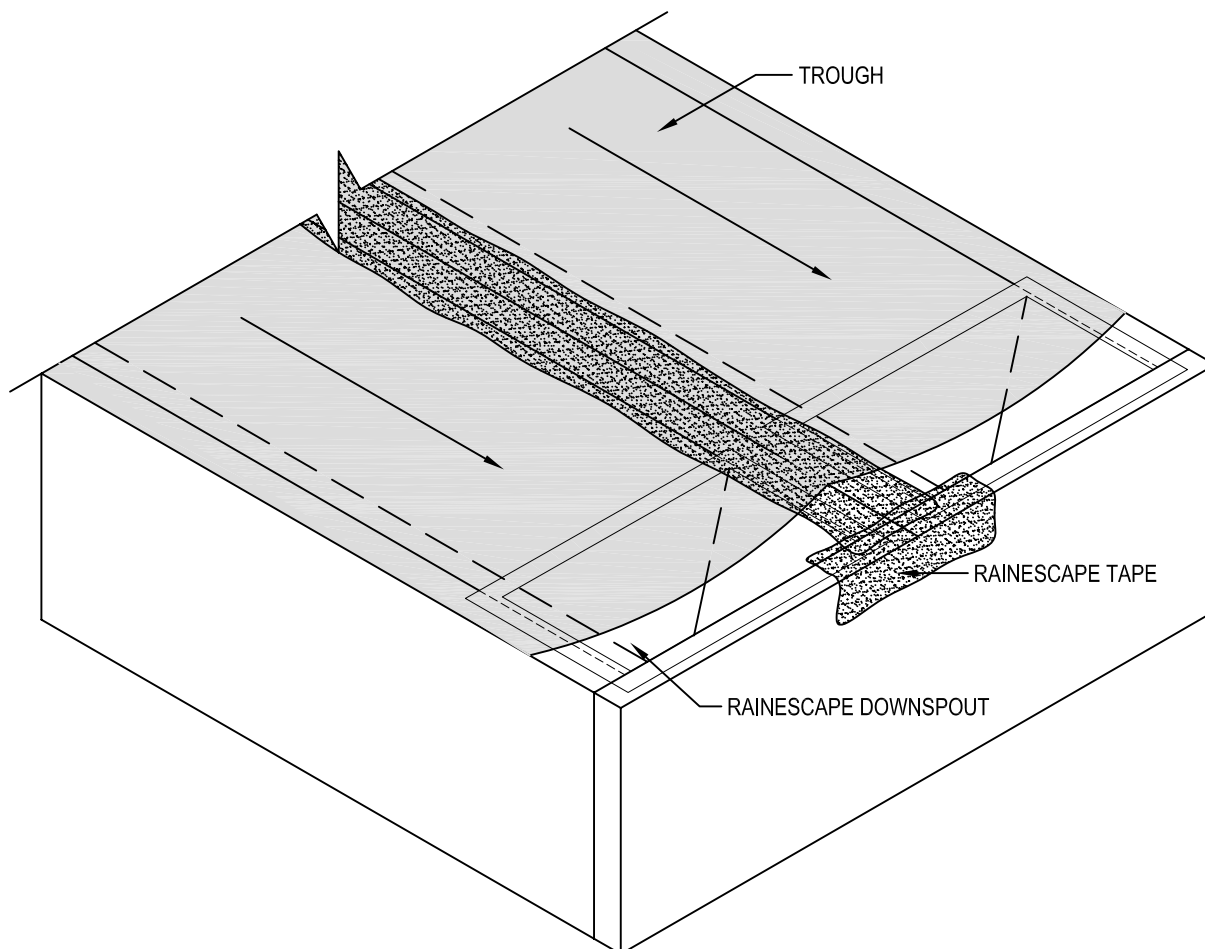


## INSTALLATION DETAIL

DOWNSPOUT AND GUTTER ELEVATIONS

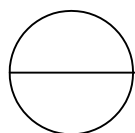
INSTALLATION INSTRUCTIONS:

- PLACE A 6" WIDE PIECE OF RAINESCAPE TAPE THE ENTIRE LENGTH OF THE JOISTS
- MAKE SURE THE TAPE OVERLAPS INTO BOTH TROUGHS



NOTES:

1. INSTALLATION TO BE COMPLETED IN ACCORDANCE WITH MANUFACTURER'S SPECIFICATIONS.
2. DO NOT SCALE DRAWINGS.
3. CONTRACTORS NOTE: FOR PRODUCT AND COMPANY INFORMATION VISIT [www.CADdetails.com/info](http://www.CADdetails.com/info) REFERENCE NUMBER 839-014.



## INSTALLATION DETAIL

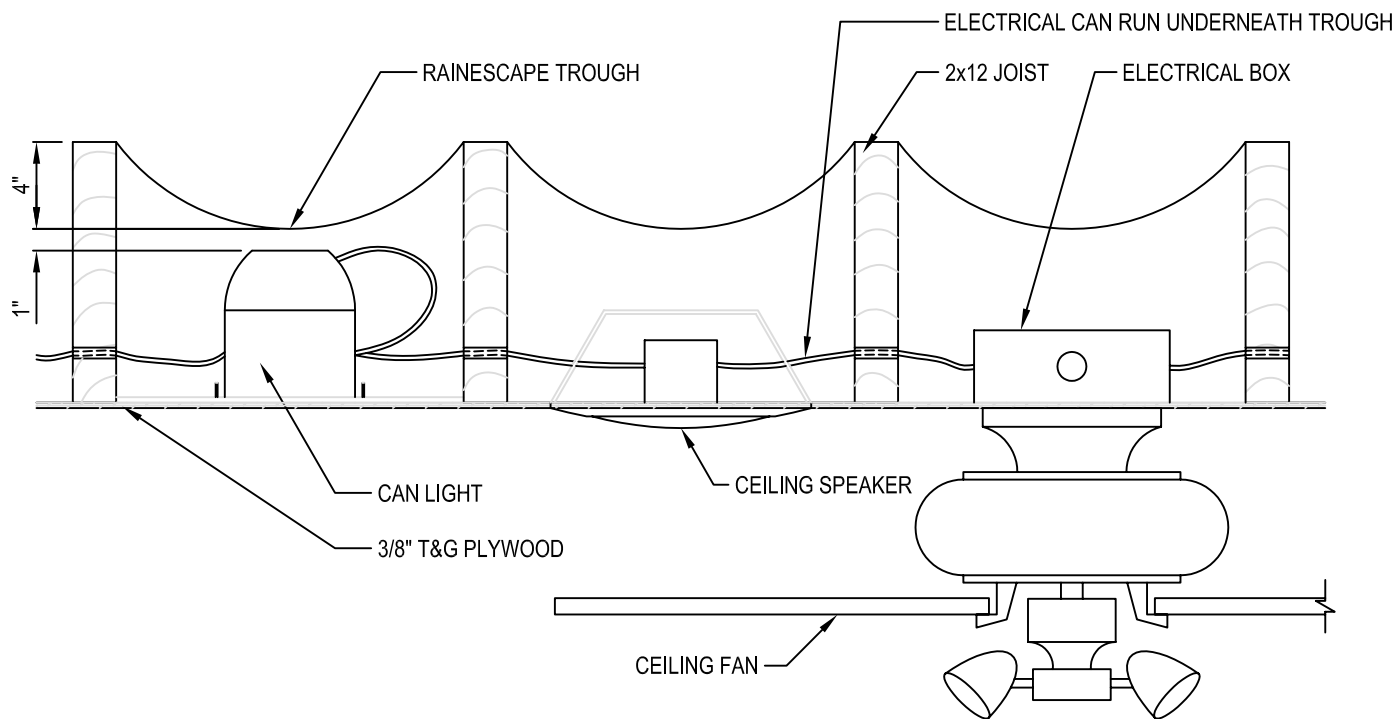
DOUBLE JOIST

# RainEscape®



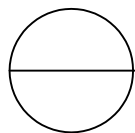
THE DECK DRAINAGE SYSTEM

RainEscape  
2965 SOUTH TEJON STREET  
ENGLEWOOD, CO 80110  
PHONE: (720) 348-1385  
TOLL FREE: (877) 348-1385  
FAX: (303) 781-9797  
www.rainescape.com



## NOTES:

1. INSTALLATION TO BE COMPLETED IN ACCORDANCE WITH MANUFACTURER'S SPECIFICATIONS.
2. DO NOT SCALE DRAWINGS.
3. CHECK WITH LOCAL BUILDING INSPECTOR FOR CODES ON LIGHTING AND ELECTRICAL INSTALLATION.
3. CONTRACTORS NOTE: FOR PRODUCT AND COMPANY INFORMATION VISIT [www.CADdetails.com/info](http://www.CADdetails.com/info) REFERENCE NUMBER 839-015.



## INSTALLATION DETAIL

LOW PROFILE CAN LIGHT