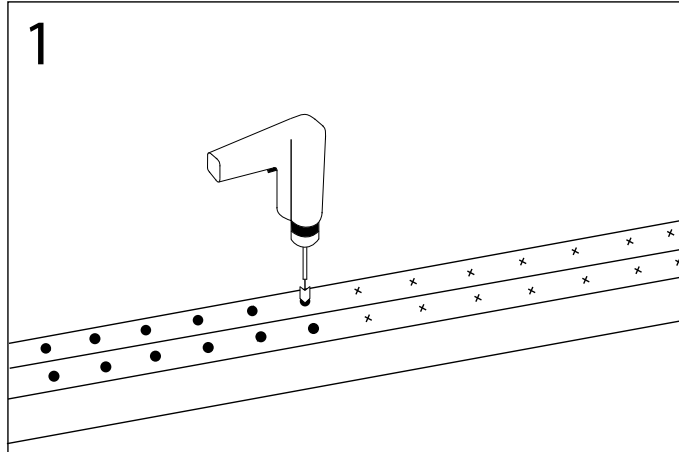
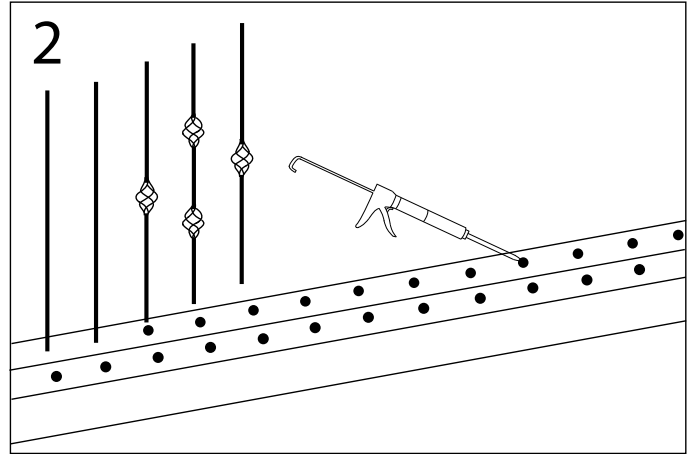


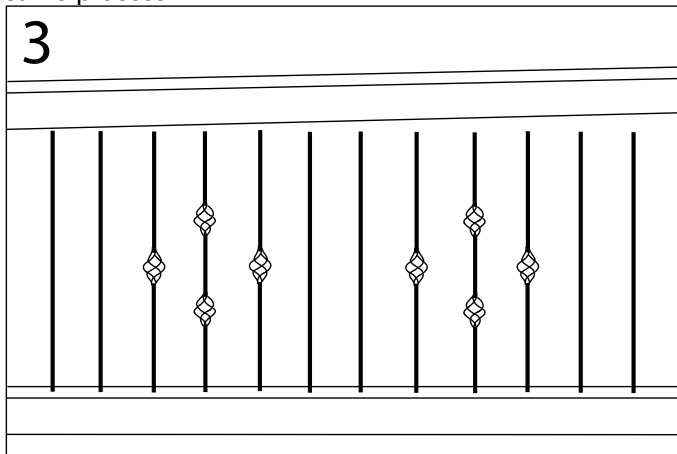
Installation Instructions for 26" & 32" Round Pickets



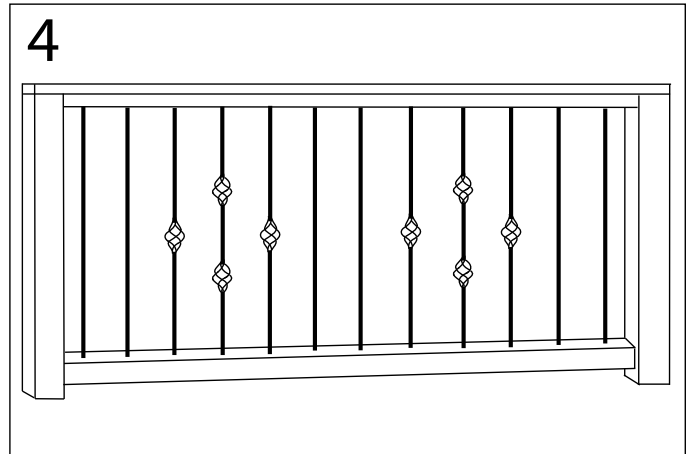
1
Measure the width of the handrail section that you will be building. Cut your top and bottom 2 x 4 's rails to length. Cut an additional 4" block to use as your guide for measuring the 4" on-center gap between drill holes. Mark a point at the center of the bottom rail. Place one end of the 4" block on the center point and mark your 4" drill point towards one end. Continue this through both ends of the rail as well as completing the 2nd rail using the same process.



2
Insert each picket in the bottom rail holes per your design choice using either plain or basketed pickets. It is recommended to apply a small amount of exterior construction adhesive or sealant to the 3/4" holes in the bottom rail.



3
Once all pickets are inserted, install the bottom rail as desired. Set the top rail on the pickets. At your option you may apply small amounts of adhesive or sealant to each picket top or hole in the top rail.



4
Secure the top rail to the support posts. Wipe any excess adhesive away from the insert points if adhesive was used.

